

FOCAL D50

Focal is a IP66-rated LED floodlight with locking ring, parallel lines, and a head axial rotation of 180°, that is perfectly suited for illuminating architectural details and natural elements such as shrubs and planted areas. It is available in 2 head sizes, 3 heights, and in 3 standard Hard Coat Treatment finishes.



GU4



LED

Fixture Dimensions - See page 2

TECHNICAL DATA

Wattage / Input	5W LED or GU4 (Lamp by others)
Power Supply	Remote 12VDC Constant Voltage
Dimming	See Power Supplies on Page 2
Construction	Body: AISI 316L Stainless Steel Lens: Extra-clear Tempered Glass 0.16" Thick
CCT	2700K, 3000K, 4000K or GU4 Lamp by others
CRI	>80
Delivered Lumens	550 lm (3000K) or Determined by Lamp
Efficacy	110 lm/W (3000K) or Determined by Lamp
Optics	6°, 15°, 25°, 38°, 10°x 35°, Wide or Determined by Lamp
Hard Coat Finishes	Inox Natural, Inox Graphite, Inox Bronze
Fixture Dimensions	Ø2.2" x 7.9", 15.8", 31.5" h
IP Rating	IP66
Impact Resistance	IK08
Warranty	10 Years Against Corrosion 5 Years on Electrical Components

Hard Coating Treatment is the surface treatment of all the products by Stral Lighting. It is not a skin of color, but instead is a process that allows for the color to be absorbed all the way through. If a product is scratched, the color beneath is the same as the color on the surface. It guarantees a high superficial resistance to corrosion and atmospheric agents, as well as making the products anti-fingerprint and anti-stain. Available in three finishes Inox Natural, Inox Graphite and Inox Bronze.

ORDERING INFORMATION

Example: SPT5041034B.US. Power Supplies / Accessories sold separately.

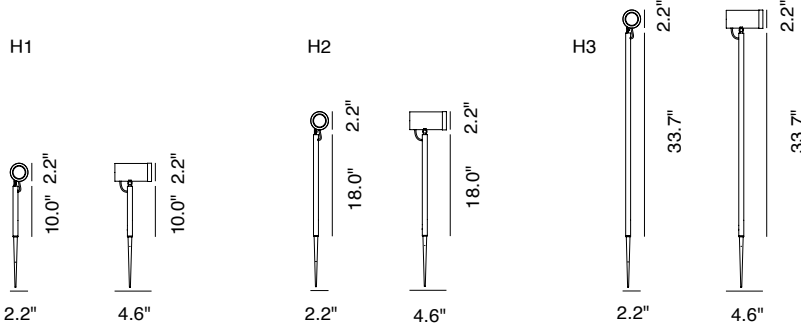
				.US
Model No.	Height	Finishes	Fixing	
SPT501504 - GU4 Bulb (Bulb Sold Separately)	2 - 7.87" 4 - 15.75"	N - Inox Natural G - Inox Graphite B - Inox Bronze	F - On Mounting Plate S - On Spike (included)	.US
SPT501502 - 5W LED	8 - 31.50"			

Job Name/Date:

Fixture Type Designation:

FIXTURE DIMENSIONS

FOCAL D-50



FINISHES



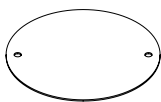
SUGGESTED POWER SUPPLIES

12VDC

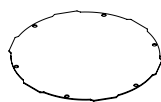
Part Number	Description	Input/Output	# of Fixtures	
			D-50	D-70
PPLT00162	Non-Dim	120VAC to 12VDC, 20W, Class 2, IP64	1-5	1-3
PPLT00654	0-10V Dimming	120-277VAC to 12VDC, 50W, Class 2	1-13	1-8

For other power supply options consult factory.

ACCESSORIES



PT40002
Mortar Cap
Ø4.33"

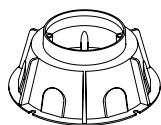


PT40003
Bottom Cap
Ø6.30"

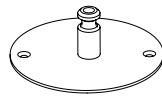


PT69001
Spike 1
Ø0.79" x 1.97" w x 9.45" h

PT69001
Spike 2
Ø0.79" x 1.97" w x 9.45" h



PT52123
Casing
Ø7.87" x 7.87" w x 3.15" h



PT68100
Casing Flange 1
Ø4.33" x 1.57" h

PT68101
Casing Flange 2
Ø4.33" x 1.57" h

Job Name/Date:

Fixture Type Designation: