

solisia

design by Landa R&D



ECOLOGICAL PASTORAL.



solisia

With Solisia, [LND] has created an evocative and elegant range of products developed in two applications, bollard and wall-mounted, which dialogue in continuity with the outdoor environment.

The circle, the perfect paradigm of union, is the shape which makes the lighting device stand out. Light emission is diffused with the following available powers: 10/20W (bollard) and 8/13W (wall-mounted) and with an ecological Accoya® style. Solisia respects the outdoor environment in which it is installed.



solisia 130

WALL LAMP



Wattage 8W

Voltage 24VDC

Beam 

TECHNICAL SPECIFICATIONS

| | |
|------------------------------|---------------------------------|
| Source lamp | LED 8W |
| Total wattage | 8W |
| Voltage | 24VDC |
| Control | On/Off |
| Light color | 3000K • other colors on request |
| Luminous flux (*Source flux) | 470 lm (920 lm*) |
| Luminous efficacy | 59 lm/W |
| McADAM steps | 3 |
| Beam | Diffuse (indirect) |
| CRI | > 90 |
| Life time | L70 > 50.000 h Ta 40°C |
| IP rating | IP65 |
| IK rating | IK08 |

DIFFUSE

| |
|---------------------------------|
| LED 8W |
| 8W |
| 24VDC |
| On/Off |
| 3000K • other colors on request |
| 470 lm (920 lm*) |
| 59 lm/W |
| 3 |
| Diffuse (indirect) |
| > 90 |
| L70 > 50.000 h Ta 40°C |
| IP65 |
| IK08 |

MATERIALS

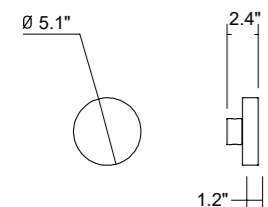
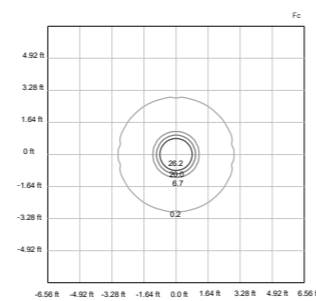
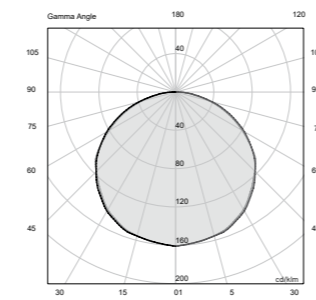
| | |
|-----------|---------------------------------|
| Body | Accoya® wood and inox AISI 316L |
| Diffuser | Opal polycarbonate |
| Finishing | Acetylation treatment |

ORDER CODE

S070PARDH B7Z3

INCLUDED ACCESSORIES

| Code | Description |
|------|------------------------|
| - | Single connection IP68 |





solisia 130

BOLLARD



Wattage 10W

Voltage 24VDC

Beam 

TECHNICAL SPECIFICATIONS

| | |
|------------------------------|---------------------------------|
| Source lamp | LED 8W |
| Total wattage | 10W |
| Voltage | 24VDC, 50-60 Hz |
| Control | On/Off |
| Light color | 3000K • other colors on request |
| Luminous flux (*Source flux) | 470 lm (920 lm*) |
| Luminous efficacy | 47 lm/W |
| McADAM steps | 3 |
| Beam | Diffuse |
| CRI | > 90 |
| Life time | L70 > 50.000 h Ta 40°C |
| IP rating | IP65 |
| IK rating | IK08 |

DIFFUSE

| |
|---------------------------------|
| LED 8W |
| 10W |
| 24VDC, 50-60 Hz |
| On/Off |
| 3000K • other colors on request |
| 470 lm (920 lm*) |
| 47 lm/W |
| 3 |
| Diffuse |
| > 90 |
| L70 > 50.000 h Ta 40°C |
| IP65 |
| IK08 |

MATERIALS

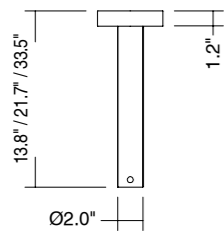
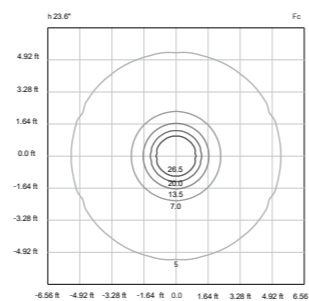
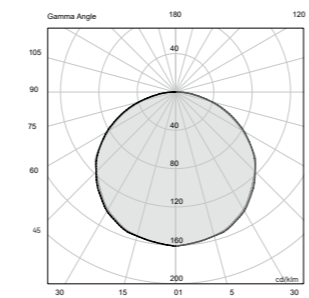
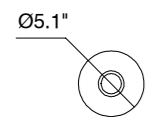
| | |
|-----------|---------------------------------|
| Body | Accoya® wood and inox AISI 316L |
| Diffuser | Opal polycarbonate |
| Finishing | Acetylation treatment |

ORDER CODE

S070 ___ D H B 7 Z 3

| | | |
|--------|------------|--------|
| Height | 035 | 13.78" |
| | 055 | 21.65" |
| | 085 | 33.46" |

Example S070 035 D H B 7 Z 3



INCLUDED ACCESSORIES

| Code | Description |
|------|------------------------|
| - | Single connection IP68 |
| - | Root mounting kit |



solisia 200

WALL LAMP



Wattage 13W

Voltage 24VDC

Beam 

TECHNICAL SPECIFICATIONS

| | |
|------------------------------|---------------------------------|
| Source lamp | LED 12W |
| Total wattage | 12W |
| Voltage | 24VDC |
| Control | On/Off |
| Light colour | 3000K • other colors on request |
| Luminous flux (*Source flux) | 1098 lm (1831 lm*) |
| Luminous efficacy | 84 lm/W |
| McADAM steps | 3 |
| Beam | Diffuse (indirect) |
| CRI | > 90 |
| Life time | L70 > 50.000 h Ta 40°C |
| IP rating | IP65 |
| IK rating | IK08 |

DIFFUSE

| |
|---------------------------------|
| LED 12W |
| 12W |
| 24VDC |
| On/Off |
| 3000K • other colors on request |
| 1098 lm (1831 lm*) |
| 84 lm/W |
| 3 |
| Diffuse (indirect) |
| > 90 |
| L70 > 50.000 h Ta 40°C |
| IP65 |
| IK08 |

MATERIALS

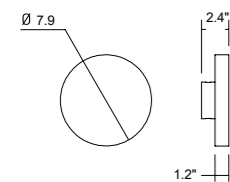
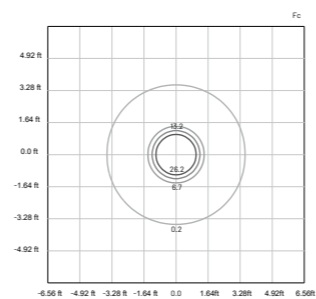
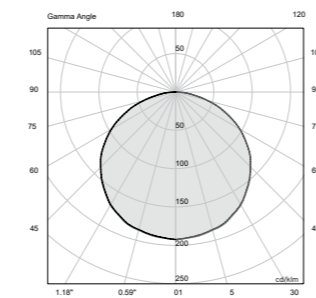
| | |
|-----------|---------------------------------|
| Body | Accoya® wood and inox AISI 316L |
| Diffuser | Opal polycarbonate |
| Finishing | Acetylation treatment |

ORDER CODE

SO80PARDH B7Z3

INCLUDED ACCESSORIES

| Code | Description |
|------|------------------------|
| - | Single connection IP68 |



solisia 200

BOLLARD



Wattage 20W

Voltage 24VDC

Beam 

TECHNICAL SPECIFICATIONS

| | |
|------------------------------|---------------------------------|
| Source lamp | LED 13W |
| Total wattage | 20W |
| Voltage | 24VDC, 50-60 Hz |
| Control | On/Off |
| Light color | 3000K • other colors on request |
| Luminous flux (*Source flux) | 1098 lm (1831 lm*) |
| Luminous efficacy | 55 lm/W |
| McADAM steps | 3 |
| Beam | Diffuse |
| CRI | > 90 |
| Life time | L70 > 50.000 h Ta 40°C |
| IP rating | IP65 |
| IK rating | IK08 |

DIFFUSE

| |
|---------------------------------|
| LED 13W |
| 20W |
| 24VDC, 50-60 Hz |
| On/Off |
| 3000K • other colors on request |
| 1098 lm (1831 lm*) |
| 55 lm/W |
| 3 |
| Diffuse |
| > 90 |
| L70 > 50.000 h Ta 40°C |
| IP65 |
| IK08 |

MATERIALS

| | |
|-----------|---------------------------------|
| Body | Accoya® wood and inox AISI 316L |
| Diffuser | Opal polycarbonate |
| Finishing | Acetylation treatment |

ORDER CODE

S080___DHB7Z3

| | | |
|--------|-----|--------|
| Height | 035 | 13.78" |
| | 055 | 21.65" |
| | 085 | 33.46" |

Example S080035DHB7Z3

INCLUDED ACCESSORIES

| Code | Description |
|------|------------------------|
| - | Single connection IP68 |
| - | Root mounting kit |

