



**INSTRUCTIONS PERTAINING TO RISK OF FIRE OR INJURY TO PERSONS. READ ALL INSTRUCTIONS. IMPORTANT SAFETY INSTRUCTIONS. SAVE THESE INSTRUCTIONS.**

**DANGER - RISK OF SHOCK - DISCONNECT POWER BEFORE INSTALLATION! Please read all instructions before installation.**

- Keep these instructions for future reference.
- Must be installed by a qualified electrician in accordance with national and local standards. Designplan is not responsible for fixtures installed without regard to these standards.
- Unauthorized alterations or tampering of product voids warranty.
- The main power connection must be in accordance with local electrical codes.
- Suitable for INDOOR applications.
- DO NOT INSTALL INSULATION WITHIN 3.0" (76 mm) OF ANY PART OF THE LUMINAIRE.



**IP66**

**ATTENTION:** For In-Grade - It is the contractor's responsibility to seal the conduit with "Great Stuff" aerosol seal that prevents water and moisture penetration for ultimate protection. Contractor **MUST** use gel-filled wire nuts.

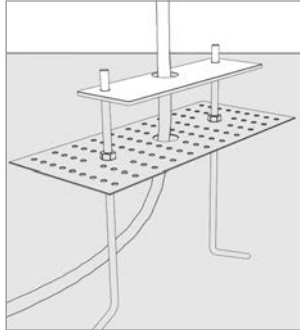
## Maintenance

Scheduled maintenance must be carried out once a year on all lighting devices, regardless of appliance class and type of use. It must include the following operations:

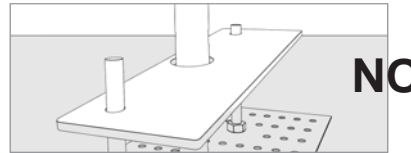
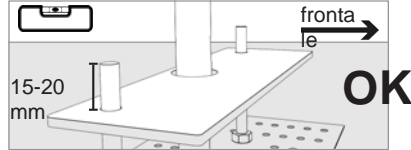
- Periodically clean fixtures to remove dirt from gratings and screw heads.
- Check tightness of screws on various parts of the device.
- Check that all cable glands and cables are intact and tight. Check that the glass or plastic lens is intact, and replace it if broken or damaged.
- The internal components such as the ballast, driver, washers and screws must not show clear signs of oxidation or rust. Clear traces of rust and oxidation will indicate the presence of water inside the device.
- In the case of damage, the components must be replaced by original components or spare parts.

## INSTALLATION AND WIRING

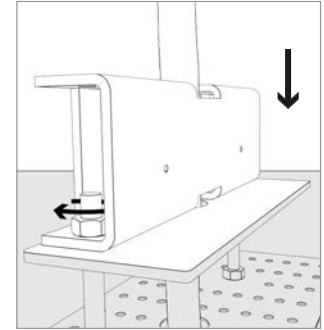
### ANCHOR BOLT POSITIONING



Cement the anchor bolt flush by passing the cable through the appropriate openings

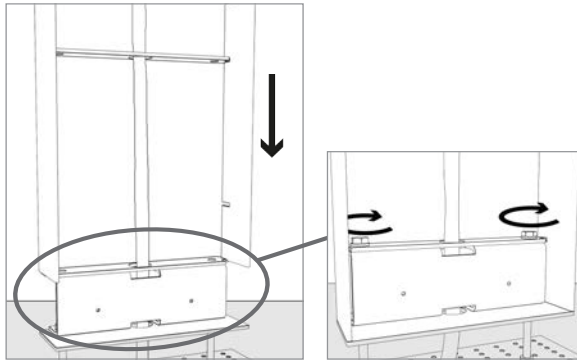


Check that everything is perpendicular to the bubble level of the surface, an incorrect positioning will cause the device to become unstable



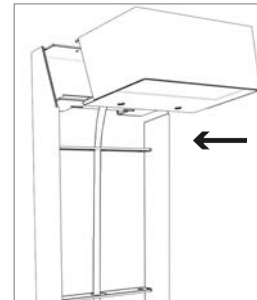
Insert the bracket and lock the bolts with a CH10 10Nm key

### DEVICE INSTALLATION :

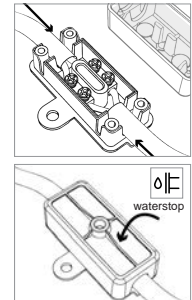


Insert the device body on the bracket and lock the bolts using a CH5 10Nm key

### CABLE WIRING :

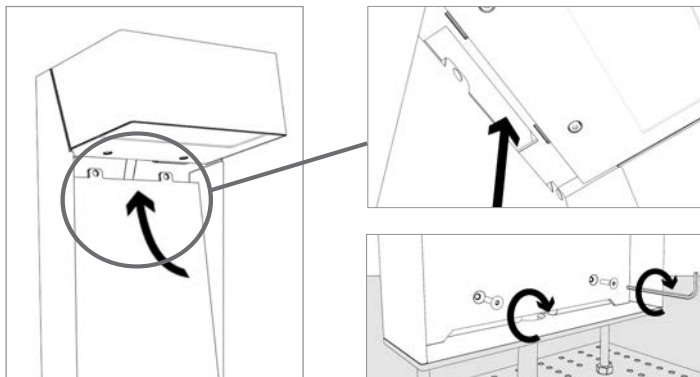


Insert the device body and lock using Torx T9 key for upper screws and Allen key size 2.5mm for lower screws

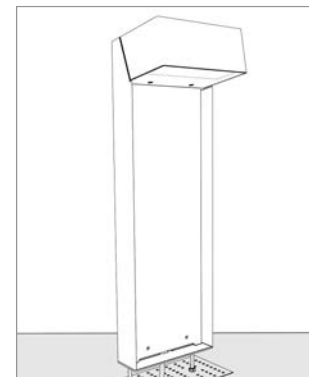


Suggested cable cross-section - up to 2 x 18 AWG. Cable external diameter min. - max. 0.189" - 0.236" DIA.

### DEVICE INSTALLATION :



Slide the cover into the spaces provided behind the device and lock using an allen key



Correctly installed devices