

DAN



About

DAN takes inspiration from the Ivory Coast, a very rare statue, jealously hidden inside the huts and exhibited only during important ritual ceremonies. Just as precious is this new bollard with clean lines and harmonious proportions, it is dressed by the surrounded space colors in which it is inserted, illuminating gardens and paths.

M

90



Inox Natural



Inox Graphite



Inox Bronze



M

120



Inox Natural



Inox Graphite



Inox Bronze



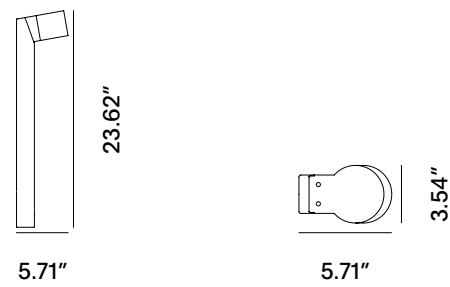
Bollard available in two heights 23.6" and 35.4" in AISI 316L stainless steel. Pole top available in 3.5" or 4.7" diameter versions for different design requirements. 21°, 45° and 65° optics at 2700K, 3000K and 4000K. Flush black silk-screened extra-clear tempered glass, 0.2" thick. Integrated power supply. Flange with anchor bolts for installation in concrete. HCT surface finish available in three variants.

DAN M90

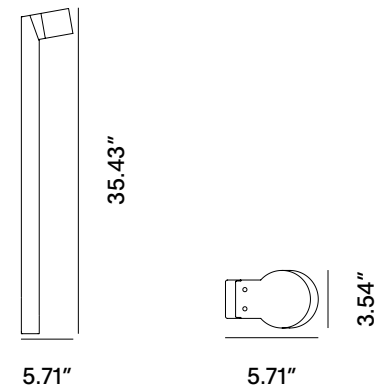
Color			Emission
2700 K 543 lm	3000 K 550 lm	4000 K 613 lm	
Power 5 W	 Codes Technical details		

IP66 IK08 Accessories p. 238

H1



H2

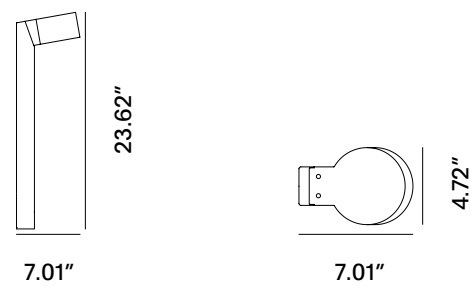


DAN M120

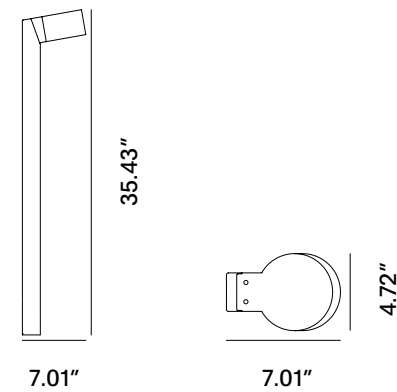
Color			Emission
2700 K 741 lm	3000 K 750 lm	4000 K 836 lm	
Power 7 W	 Codes Technical details		

IP66 IK08 Accessories p. 238

H1



H2





is the USA STRAL's official dealer

79 Trenton Avenue
Frenchtown, NJ

www.designplan.com

Tel: (908) 996-7710
Fax: (908) 996-7042