

DOT (RL2)

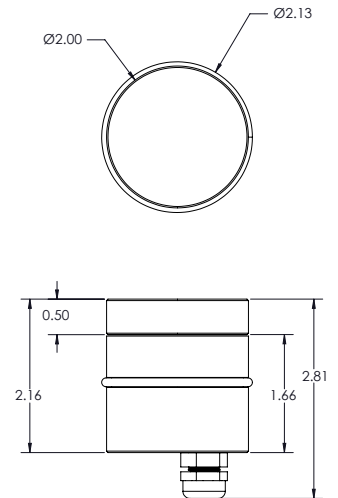
DOT is an in-grade uplight with a 2.0" diameter that is ideal for accent and pathway lighting. It is available in static white or RGB, is driveover rated, and versatile for indoor or outdoor applications as it can also be used as a wall mount.



TECHNICAL DATA

Wattage / Input	2W (500mA)
Power Supply	Remote, not included. See page 2.
Construction	Body: Stainless Steel Lens: Sandblasted Extra-clear Glass Cable Length: 4.9' standard
CCT	2700K, 3000K, 4000K, RGB
CRI	>80
Delivered Lumens	Coming Soon
Efficacy	Coming Soon
Optics	Diffused
Finishes	Stainless Steel
Fixture Dimensions	Ø 2.0" x 2.8" h
Aperture	Ø 2.07"
LED Source	1 Power LED
IP Rating	IP69
IK Rating	IK10
Driveover	11,000 lb capacity

Fixture Dimensions



ORDERING INFORMATION

Example: DOT-L-5-D-V. Required Accessories / Power Supplies ordered separately.

DOT-L	-		-	D	-	V
Model No.	CCT	Optics	Finish			
DOT-L	F - 2700K 5 - 3000K 9 - 4000K R - RGB	D - Diffused	V - Glass			

Job Name/Date:

Fixture Type Designation:

SUGGESTED POWER SUPPLIES

500mA

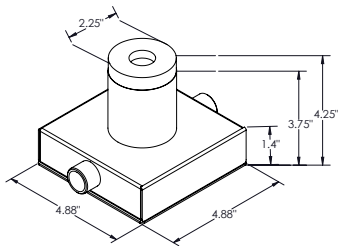
Part Number	Description	Input/Output	# of Fixtures
PPLT00466-P	0-10V Dimming to 1.0%	120-277VAC to 500mA, 10W, Class 2, DAMP	1-5
PPLT00497	Phase Dim (120V only)	120-277VAC to 500mA, 12W, Class 2, DAMP	2-6
PPLT00465-P	0-10V Dimming to 1.0%	120-277VAC to 500mA, 20W, Class 2, DAMP	1-10
PPLT00262	Leading / Trailing Edge Dimming to 10% (120V only)	120-277VAC to 500mA, 32W, Class 2	8-14
PPLT00467-P	0-10V Dimming to 1.0%	120-277VAC to 500mA, 50W, Class 2, DAMP	1-16
PPLT00538-P	0-10V Dimming to 0.1% (4 channels)	120-277VAC to 500mA, 100W, Class 2	1-12 (1-48)

Suggested Lutron Compatible

Part Number	Option	Lutron SKU	Dim Range	Description	Input/Output	# of Fixtures
PPLT00259	L3DAE / L3DA3W	L3DA	100%-1%	Hi-Lume™ 1% EcoSystem™ or 1% 3-Wire LED Driver	120-277VAC to 500mA, 10W, Class 2	4-5
PPLT00195	L3DAE / L3DA3W	L3DA	100%-1%	Hi-Lume™ 1% EcoSystem™ or 1% 3-Wire LED Driver	120-277VAC to 500mA, 19W, Class 2	6-9
PPLT00676	PEQOE	PEQO	100%-0.1%	Hi-Lume™ Premier 0.1% EcoSystem™ LED Driver	120-277VAC to 500mA, 20W, Class 2	4-10
PPLT00180	L3DAE / L3DA3W	L3DA	100%-1%	Hi-Lume™ 1% EcoSystem™ or 1% 3-Wire LED Driver	120-277VAC to 500mA, 27W, Class 2	12-13

For other power supply options consult factory.

REQUIRED ACCESSORIES - Installation



PPMP03183

Outer Casing - **REQUIRED**

PHOTOMETRIC DATA

Coming Soon

Job Name/Date:

Fixture Type Designation: