

# DOT (RL2)

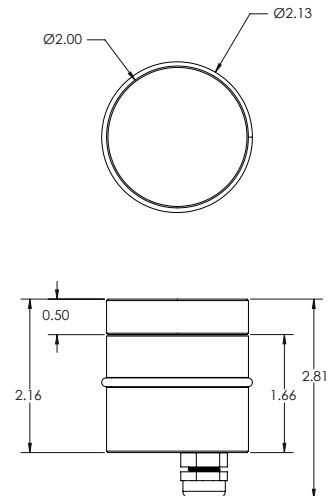
DOT is an in-grade uplight with a 2.0" diameter that is ideal for accent and pathway lighting. It is available in static white or RGB, is driveover rated, and versatile for indoor or outdoor applications as it can also be used as a wall mount.



## TECHNICAL DATA

<b>Wattage / Input</b>	2W (500mA)
<b>Power Supply</b>	Remote, not included. See page 2.
<b>Construction</b>	Body: Stainless Steel Lens: Sandblasted Extra-clear Glass Cable Length: 4.9' standard
<b>CCT</b>	2700K, 3000K, 4000K, RGB
<b>BUG Rating</b>	B0-U2-G0
<b>CRI</b>	>80
<b>Delivered Lumens</b>	37.6 lm
<b>Efficacy</b>	15.2 lm/W
<b>Optics</b>	Diffused
<b>Finishes</b>	Stainless Steel
<b>Fixture Dimensions</b>	Ø 2.0" x 2.8" h
<b>Aperture</b>	Ø 2.07"
<b>LED Source</b>	1 Power LED
<b>IP Rating</b>	IP69
<b>IK Rating</b>	IK10
<b>Driveover</b>	11,000 lb capacity

Fixture Dimensions



## ORDERING INFORMATION

Example: DOT-L-5-D-V. Required Accessories / Power Supplies ordered separately.

DOT-L	-		-	D	-	V
Model No.	CCT	Optics	Finish			
DOT-L	F - 2700K 5 - 3000K 9 - 4000K R - RGB	D - Diffused	V - Glass			

Job Name/Date:

Fixture Type Designation:

## SUGGESTED POWER SUPPLIES

500mA

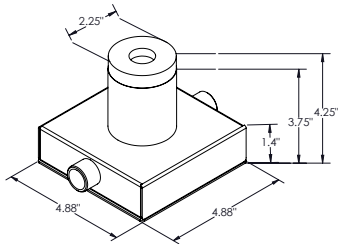
Part Number	Description	Input/Output	# of Fixtures
<a href="#">PPLT00466-P</a>	0-10V Dimming to 1.0%	120-277VAC to 500mA, 10W, Class 2, DAMP	1-5
<a href="#">PPLT00497</a>	Phase Dim (120V only)	120-277VAC to 500mA, 12W, Class 2, DAMP	2-6
<a href="#">PPLT00465-P</a>	0-10V Dimming to 1.0%	120-277VAC to 500mA, 20W, Class 2, DAMP	1-10
<a href="#">PPLT00262</a>	Leading / Trailing Edge Dimming to 10% (120V only)	120-277VAC to 500mA, 32W, Class 2	8-14
<a href="#">PPLT00467-P</a>	0-10V Dimming to 1.0%	120-277VAC to 500mA, 50W, Class 2, DAMP	1-16
<a href="#">PPLT00538-P</a>	0-10V Dimming to 0.1% (4 channels)	120-277VAC to 500mA, 100W, Class 2	1-12 (1-48)

## Suggested Lutron Compatible

Part Number	Option	Lutron SKU	Dim Range	Description	Input/Output	# of Fixtures
<a href="#">PPLT00259</a>	L3DAE / L3DA3W	L3DA	100%-1%	Hi-Lume™ 1% EcoSystem™ or 1% 3-Wire LED Driver	120-277VAC to 500mA, 10W, Class 2	4-5
<a href="#">PPLT00195</a>	L3DAE / L3DA3W	L3DA	100%-1%	Hi-Lume™ 1% EcoSystem™ or 1% 3-Wire LED Driver	120-277VAC to 500mA, 19W, Class 2	6-9
<a href="#">PPLT00676</a>	PEQOE	PEQO	100%-0.1%	Hi-Lume™ Premier 0.1% EcoSystem™ LED Driver	120-277VAC to 500mA, 20W, Class 2	4-10
<a href="#">PPLT00180</a>	L3DAE / L3DA3W	L3DA	100%-1%	Hi-Lume™ 1% EcoSystem™ or 1% 3-Wire LED Driver	120-277VAC to 500mA, 27W, Class 2	12-13

For other power supply options consult factory.

## REQUIRED ACCESSORIES - Installation

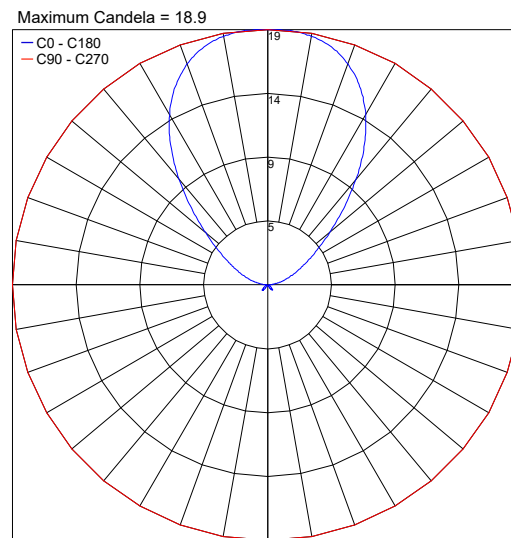


### PPMP03183

Outer Casing - **REQUIRED**

## PHOTOMETRIC DATA

Note: All photometry is 3000K



PHOTOMETRIC FILENAME : DOT - LLIA002261-001.IES

Job Name/Date:

Fixture Type Designation: