

GINKO 4.3

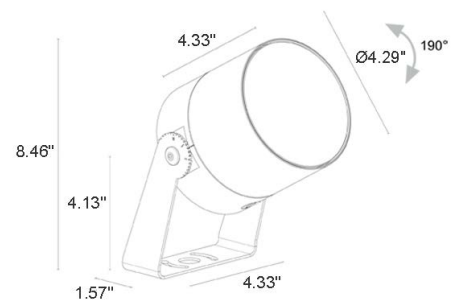
The Ginko series IP66, IP69 projectors are small and versatile. Available in a variety of finishes, optics (some models have integral adjustable optics), and 80 or 90 CRI. Ginko 4.3 is the Ø4.3" RGBW version.



TECHNICAL DATA

Wattage / Input	20W (24VDC)
Power Supply	Remote, not included. See page 2.
Construction	Body: Anti-Corrosive Aluminum or AISI 316L SS Bracket: AISI 316L Stainless Steel Lens: Tempered Extra-clear Glass Neoprene Cable: 4.9' Standard Length
CCT	RGBW
BUG Rating	B0-U1-G0 (4000K - 61°, 32°x73°) B1-U1-G0 (RGBW - 61°, 32°x73°) B1-U0-G0 (RGBW - 20°, 34°)
Delivered Lumens	656 lm: (R) 101 lm, (G) 204 lm, (B) 75 lm, (W) 276 lm (4000K, 20°)
Efficacy	32.8 lm/W
Optics	4 Standard (see below)
Finishes	7 Standard, Custom RAL (see below)
Fixture Dimensions	Ø4.29"x 4.33" x 4.13" h (max 8.46" h fully extended), 1.57" wide bracket
Fixture Weight	5.29 lbs
LED Source	3 groups of 4 power LEDs
Lumen Maintenance	L85, B10 >50,000hrs (Ta 25°C)
Operating Temp.	-4°F to +113°F
IP Rating	IP66, IP69
Impact Rating	IK09

Fixture Dimensions



ORDERING INFORMATION

Example: GN430000070MF. Accessories / Power Supplies ordered separately.

GN4300	0000	70			
Model No.	Wattage	CCT	Optics	Finish	Cable Length
GN4300	0000 - 11W	70 - RGBW	S - 19° M - 33° L - 56° X - adjustable 32°x73° 360° using the magnet provided	I - Stainless Steel E - White N - Black Anodized F - Gray H - Anthracite T - Corten 5 - Jasper Green C - Custom RAL (consult factory for "C")	4.92' standard 1 - 16.40'

Job Name/Date:

Fixture Type Designation:

SUGGESTED POWER SUPPLIES

24VDC

Part Number	Description	Input/Output	# of Fixtures
PPLT00288-P24	DMX / RDM (Field Addressable) / Dali (4 channels)	120-277VAC to 24VDC, 100W, Class 2	1-1 (1-4)

For other power supply options consult factory.

ACCESSORIES

Installation



WP0300
Ground Spike
(Length 15.55")

ACCESSORIES

Anti-Glare



WB1101__
Standard Snoot
Include one of the below finishes:
E - White
N - Black anodized
F - Gray
H - Anthracite
T - Cor-ten
5 - Jasper Green
C - Custom RAL

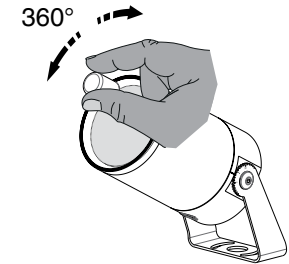


WB1102__
Asymmetric Snoot
Include one of the below finishes:
E - White
F - Gray
H - Anthracite
T - Cor-ten
5 - Jasper Green
C - Custom RAL

Optical



WE0201
Magnet for rotating optics
For shadow-effect filter and elliptical optics (W) 12° v x 64° h and (X) 28° v x 72° h



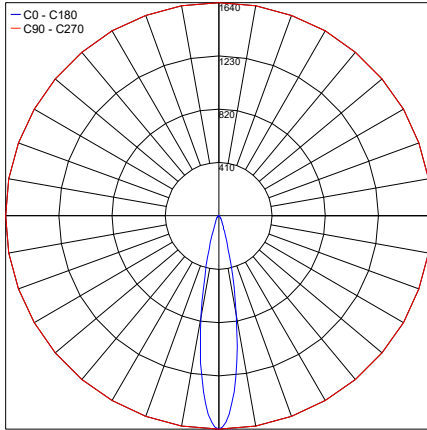
Job Name/Date:

Fixture Type Designation:

PHOTOMETRIC DATA

Maximum Candela = 1640

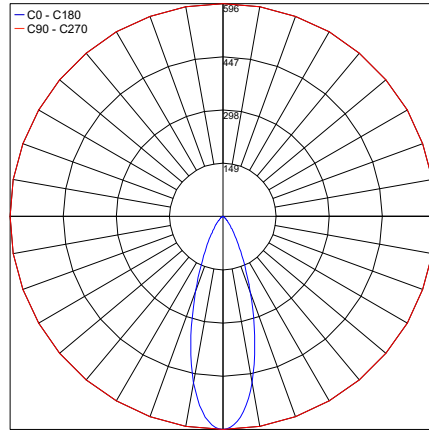
— C0 - C180
— C90 - C270



PHOTOMETRIC FILENAME : GINKO 4.3 S 20° [4000K 20W].IES

Maximum Candela = 595.7

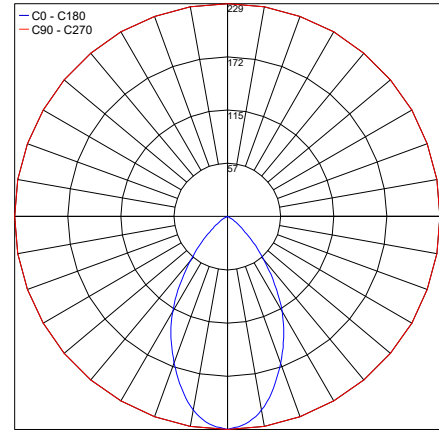
— C0 - C180
— C90 - C270



PHOTOMETRIC FILENAME : GINKO 4.3 M 34° [4000K 20W].IES

Maximum Candela = 229.1

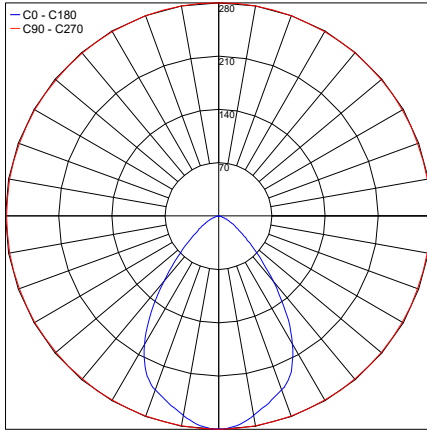
— C0 - C180
— C90 - C270



PHOTOMETRIC FILENAME : GINKO 4.3 L 61° [4000K 20W].IES

Maximum Candela = 280.4

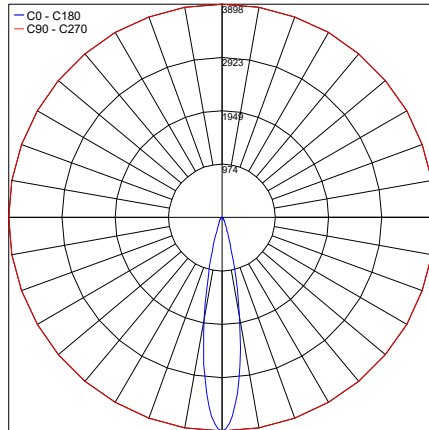
— C0 - C180
— C90 - C270



PHOTOMETRIC FILENAME : GINKO 4.3 X 32°X73° [4000K 20W].IES

Maximum Candela = 3898

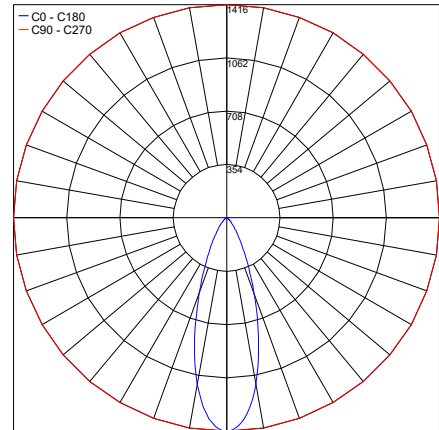
— C0 - C180
— C90 - C270



PHOTOMETRIC FILENAME : GINKO 4.3 S 20° [RGBW 20W].IES

Maximum Candela = 1415.6

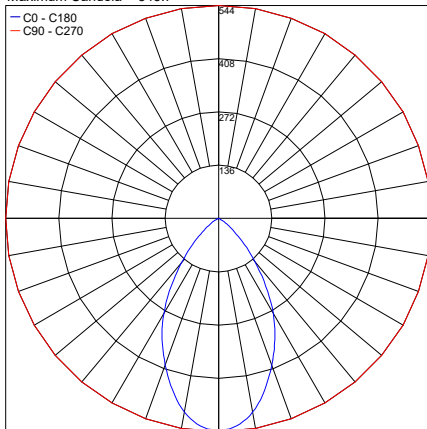
— C0 - C180
— C90 - C270



PHOTOMETRIC FILENAME : GINKO 4.3 M 34° [RGBW 20W].IES

Maximum Candela = 543.7

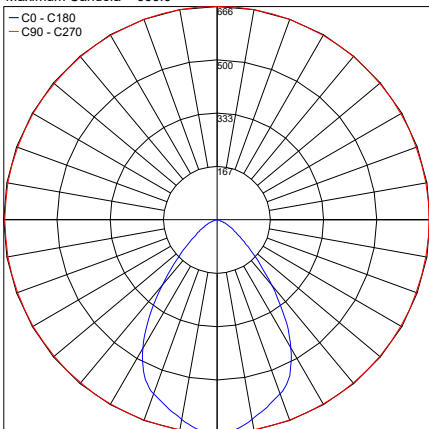
— C0 - C180
— C90 - C270



PHOTOMETRIC FILENAME : GINKO 4.3 L 61° [RGBW 20W].IES

Maximum Candela = 666.0

— C0 - C180
— C90 - C270



PHOTOMETRIC FILENAME : GINKO 4.3 X 32°X73° [RGBW 20W].IES

Job Name/Date:

Fixture Type Designation: