

HOKU D-70

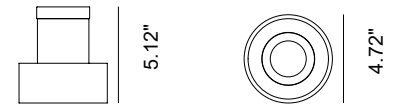
Hoku is an outdoor, adjustable LED on-grade or floodlight made of stainless steel that can be installed on the floor, wall, or ceiling. It consists of a cylinder with parallel lines creating a pattern on the surface, that rotates 360° in the housing base. It is available in 3 standard Hard Coat Treatment finishes. Hoku D-70 is the Ø4.7" x 5.1" version.



TECHNICAL DATA

Wattage	7W LED or GU10 (Lamp by Others)
Power Supply	Integral 120VAC
Dimming	Available
Construction	Body: AISI 316L Stainless Steel
CCT	2200K, 2700K, 3000K (Multilens)
BUG Rating	B1-U1-G0 (6°, 10°x35°, 15°, 25°) B0-U1-G0 (35°)
CRI	>80
Delivered Lumens	750 lm (3000K)
Efficacy	107.1 lm/W (3000K)
Optics	Multilens: 6°, 15°, 25°, 38°, 10°x 35°, Wide
Hard Coat Finishes	Inox Natural, Inox Graphite, Inox Bronze
Fixture Dimensions	Ø4.7" x 5.1" (HOKU D70)
IP Rating	IP66
Impact Resistance	IK08
Warranty	10 Years Against Corrosion 5 Years on Electrical Components

Fixture Dimensions



FINISHES



Inox Natural



Inox Graphite



Inox Bronze

Hard Coating Treatment is the surface treatment of all the products by Stral Lighting. It is not a skin of color, but instead is a process that allows for the color to be absorbed all the way through. If a product is scratched, the color beneath is the same as the color on the surface. It guarantees a high superficial resistance to corrosion and atmospheric agents, as well as making the products anti-fingerprint and anti-stain. Available in three finishes Inox Natural, Inox Graphite and Inox Bronze.

ORDERING INFORMATION

Example: SPT5027010B.US. Power Supplies ordered separately.

SPT50270		0		.US
Model No.	CCT	Optics	Finishes	
SPT50270	1 - GU4 Bulb by Others 2 - 2700K 3 - 3000K 4 - 2200K	0 - Multilens	N - Inox Natural G - Inox Graphite B - Inox Bronze	.US

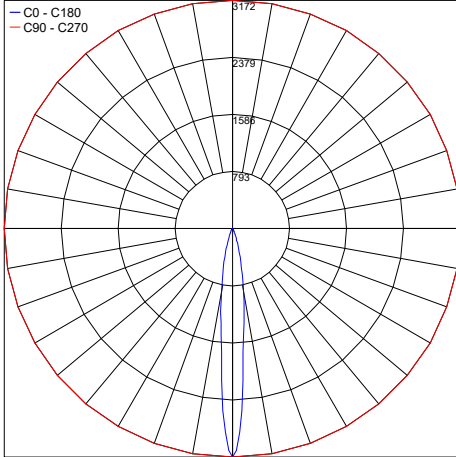
Job Name/Date:

Fixture Type Designation:

PHOTOMETRIC DATA

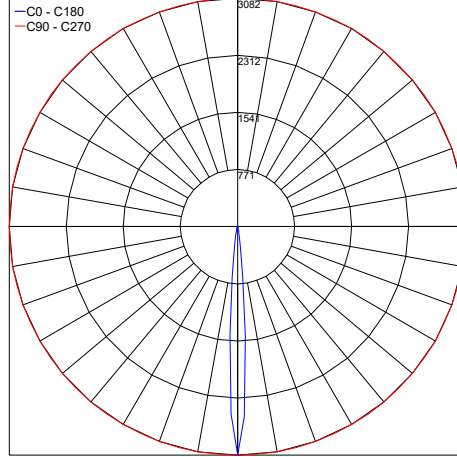
Multilens includes the below optics at 2700K

Maximum Candela = 3172.5



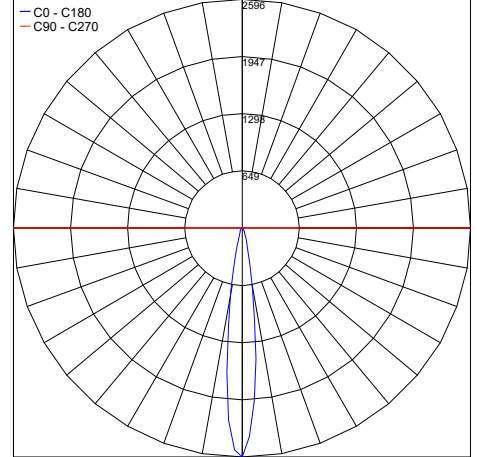
PHOTOMETRIC FILENAME : HOKU D-50 / D-70 2700K 6°

Maximum Candela = 3082.4



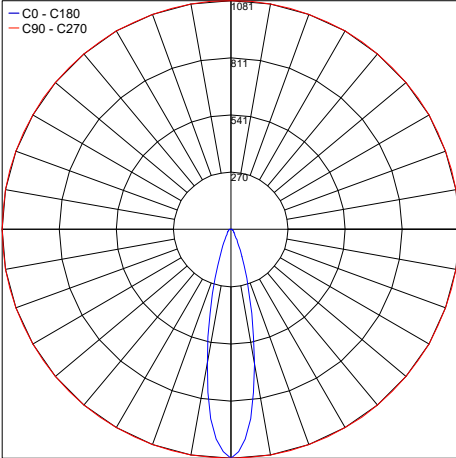
PHOTOMETRIC FILENAME : HOKU D-50 / D-70 2700K 10°X35°

Maximum Candela = 2595.9



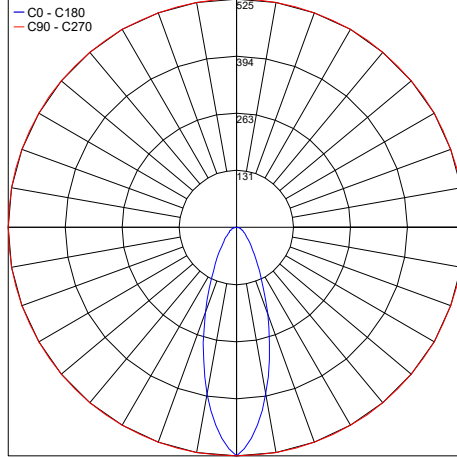
PHOTOMETRIC FILENAME : HOKU D-50 2700K 15° - PT5025020B.IES

Maximum Candela = 1081.0



PHOTOMETRIC FILENAME : HOKU D-50 / D-70 2700K 25°

Maximum Candela = 525.5



PHOTOMETRIC FILENAME : HOKU D-50 2700K 35° - PT5025020B.IES

Job Name/Date:

Fixture Type Designation: