



**INSTRUCTIONS PERTAINING TO RISK OF FIRE OR INJURY TO PERSONS. READ ALL INSTRUCTIONS. IMPORTANT SAFETY INSTRUCTIONS. SAVE THESE INSTRUCTIONS.**

**DANGER - RISK OF SHOCK - DISCONNECT POWER BEFORE INSTALLATION! Please read all instructions before installation.**

- Keep these instructions for future reference.
- Must be installed by a qualified electrician in accordance with national and local standards. Designplan is not responsible for fixtures installed without regard to these standards.
- Unauthorized alterations or tampering of product voids warranty.
- The main power connection must be in accordance with local electrical codes.
- Suitable for OUTDOOR applications.



**IP65**

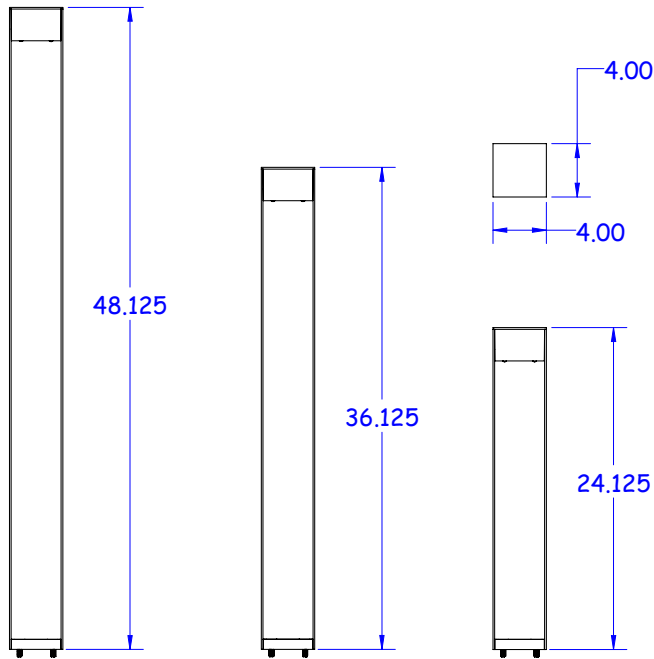
**ATTENTION: For In-Grade** - It is the contractor's responsibility to seal the conduit with "Great Stuff" aerosol seal that prevents water and moisture penetration for ultimate protection. Contractor **MUST** use gel-filled wire nuts.

## Maintenance

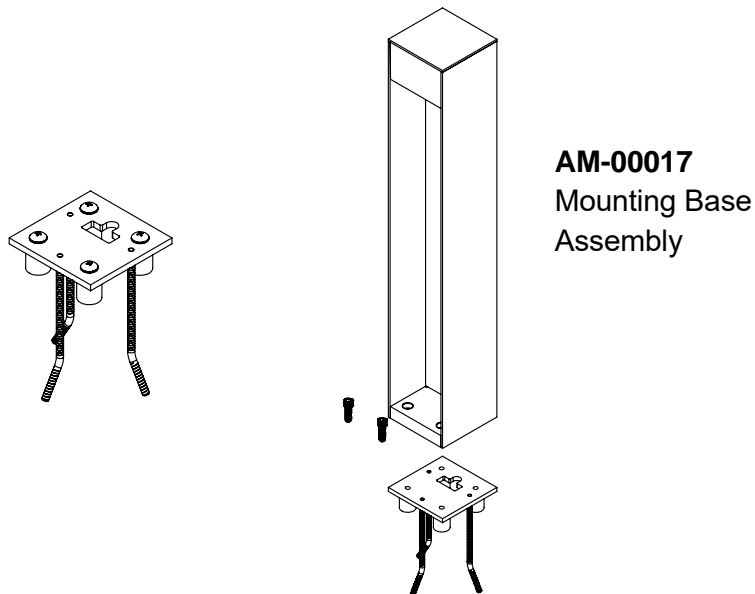
Scheduled maintenance must be carried out once a year on all lighting devices, regardless of appliance class and type of use. It must include the following operations:

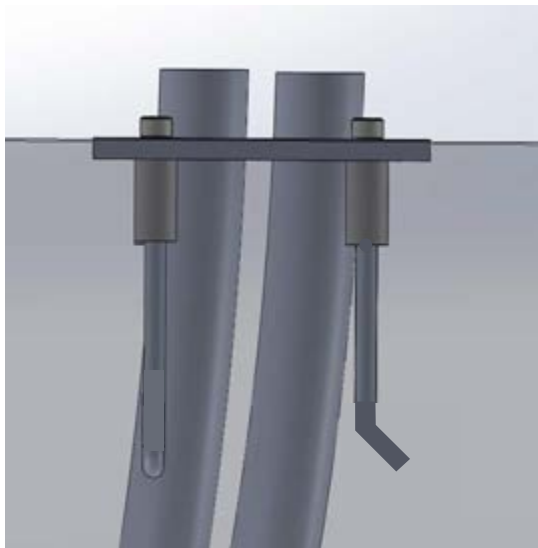
- Periodically clean fixtures to remove dirt from gratings and screw heads.
- Check tightness of screws on various parts of the device.
- Check that all cable glands and cables are intact and tight. Check that the glass or plastic lens is intact, and replace it if broken or damaged.
- The internal components such as the ballast, driver, washers and screws must not show clear signs of oxidation or rust. Clear traces of rust and oxidation will indicate the presence of water inside the device.
- In the case of damage, the components must be replaced by original components or spare parts.

## FIXTURE DIMENSION

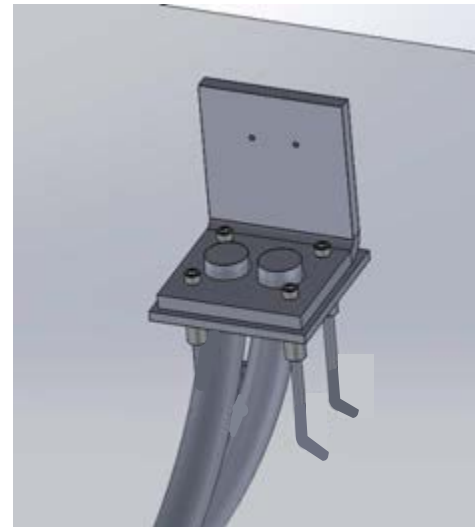


## FIXTURE INSTALLATION BASE MOUNTING ANCHOR





Grade  
Level

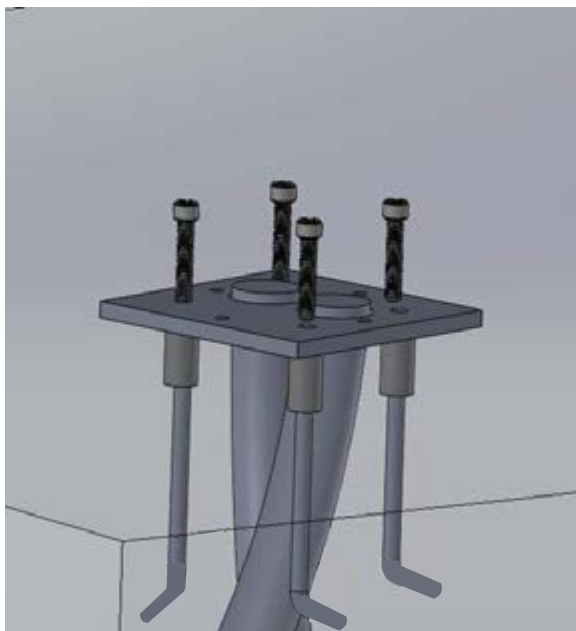


Concrete (Shown for Reference)

Mounting Base Assembly  
installed in Concrete

- 5/16-18 bolts and hex couplings are to be installed in the concrete as shown.
- Ensure that the Klaatu base plate is leveled and flush with concrete surface.

- It is contractor's responsibility to make proper arrangement for power supply wires.
- Once concrete is cured, remove the (4) 5/16-18" bolts.



# KLAATU with Mounting Base Assembly

## Klaatu Fixture and Mounting Base Assembly Installation

installation instructions



Klaatu Fixture + Klaatu Base + Klaatu Mounting Base Assembly  
(Concrete not shown)



Klaatu base assembled  
onto mounting base  
assembly  
(Concrete not shown)



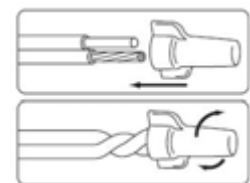
Klaatu Fixture + Mounting Base  
Assembly (Concrete not shown)

Concrete Pour Level

### WIRING

WHITE-----NEUTRAL  
BLACK-----LINE  
GREEN-----GROUND

Use wire-nuts for wire  
connections.



- Assemble together components as shown, starting with the Klaatu base.
- Make proper wiring connections and slide through the middle holes in the back of the base and through the mounting base assembly as shown.
- Once all the wiring connections are made, slide the Klaatu body through the base assembly as shown.
- Screw in (2) FH 4-40 screws through the back of the Klaatu base as well as through the Klaatu mounting base assembly as shown.
- Install fixture via pouring concrete below the base plate.