

Klaatu is an outdoor LED bollard offered in 3 different heights, 2-foot, 3-foot or 4-foot. It is offered in 4 color temperatures, integral driver, and 5 standard finishes.

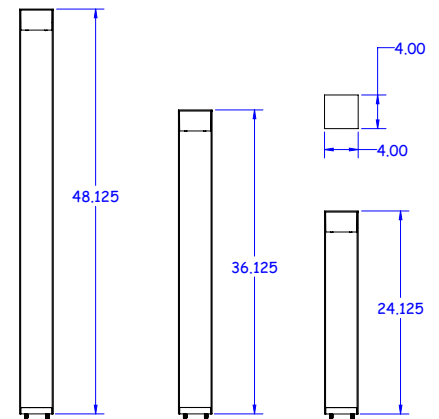


MADE IN THE U.S.A.

TECHNICAL DATA

Wattage	15W (Static White)
Power Supply	Integral 120VAC Lutron Dimming 120-277VAC Also Available - (Consult Factory)
Dimming	0-10V Dimming
Construction	Body: Aluminum Lens: Clear Frosted
CCT	2700K, 3000K, 3500K, 4000K
BUG Rating	B0-U1-G0 (3000K)
CRI	>80
Delivered Lumens	227 lm (3000K)
Efficacy	15.1 lm/W
Optics	180°
Finishes	5 Standard, Custom RAL on request
Fixture Dimensions	4.0" w x 4.0" or 24.13", 36.13" or 48.13" h
IP Rating	IP65

Fixture Dimensions



ORDERING INFORMATION

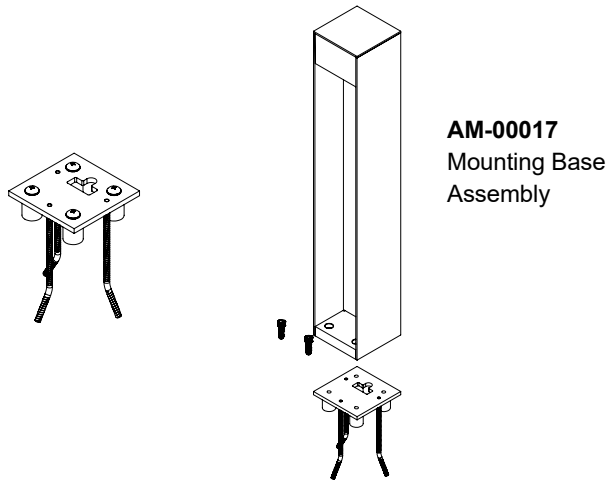
Example: KLA-L-3-40-02-C-0. Accessories / Power Supplies ordered separately.

KLA-L	-		-		-		-	0
Model #	Height	CCT	Finish	Dimming	Options			
KLA-L	2 - 2 ft.	27 - 2700K	11 - White Suede	C - Integral 120VAC - 0-10V Dimming L - Lutron Dimming Driver 120-277VAC (Consult Factory)	0 - None			
	3 - 3 ft.	30 - 3000K	02 - Black Suede					
	4 - 4 ft.	35 - 3500K	03 - Gray					
		40 - 4000K	18 - Tex. Bronze					
			TS - Silver					
			C - Custom					

Job Name/Date:

Fixture Type Designation:

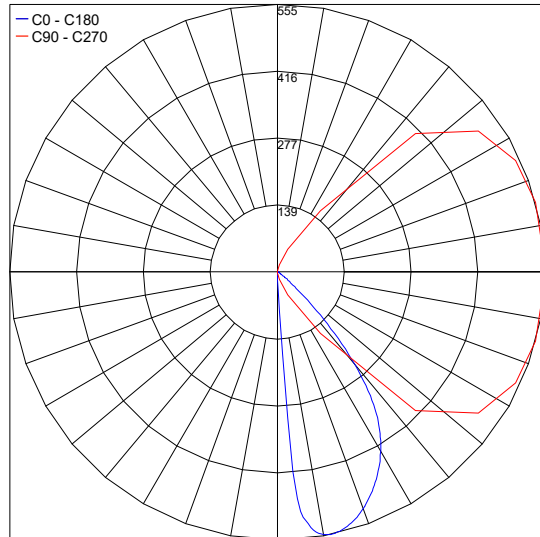
ACCESSORIES - Installation



PHOTOMETRIC DATA

Note: All photometry is 3000K

Maximum Candela = 554.7



PHOTOMETRIC FILENAME : KLAATU - LLIA002261-003.IES

Job Name/Date:

Fixture Type Designation: