

LOCH M-180

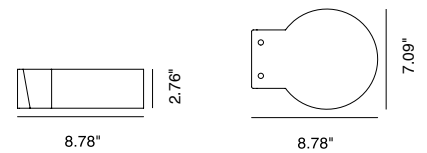
Loch is a circular, wall mounted, stainless steel LED luminaire that offers mono or bi-directional lighting for outdoor or indoor areas. The M (mono) and B (Bi) series are both available in 3 sizes, each with 3 optical options, 3 color temperatures, and 3 Hard Coat Treatment finishes.



TECHNICAL DATA

Wattage / Input	18W (M-180)
Power Supply	Remote 350mA Constant Current
Dimming	On / Off Only
Construction	Body: AISI 316L Stainless Steel Lens: Flush Black Silk-screened Glass Extra-clear, Tempered, 0.16" Thick
CCT	2700K, 3000K, 4000K
CRI	>80
Delivered Lumens	2200 lm (M-180, 3000K)
Efficacy	122 lm/W (M-180, 3000K)
Optics	21°, 45°, 65°
BUG Rating	B2-U0-G0 (M-180, 21°)
Lumen Maintenance	100,000 hrs L80, B10 (Ta 25°C)
Hard Coat Finishes	Inox Natural, Inox Graphite, Inox Bronze
Fixture Dimensions	7.09" x 8.78" (M-180, B-180)
IP Rating	IP66
Impact Resistance	IK08

Fixture Dimensions



Hard Coating Treatment is the surface treatment of all the products by Stral Lighting. Available in three finishes Inox Natural, Inox Graphite and Inox Bronze. It guarantees a high superficial resistance to corrosion and atmospheric agents, as well as making the products anti-fingerprint and anti-stain.

ORDERING INFORMATION

Example: SPT4013046B.US. Power Supplies / Accessories sold separately.

SPT40130				.US
Model No.	CCT	Optics	Finishes	
SPT40130 (M180)	2 - 2700K 3 - 3000K 4 - 4000K	2 - 21° 4 - 45° 6 - 65°	N - Inox Natural G - Inox Graphite B - Inox Bronze	.US

Job Name/Date:

Fixture Type Designation:

FINISHES



Inox Natural



Inox Graphite



Inox Bronze

M180

SUGGESTED POWER SUPPLIES

350mA - Loch M180

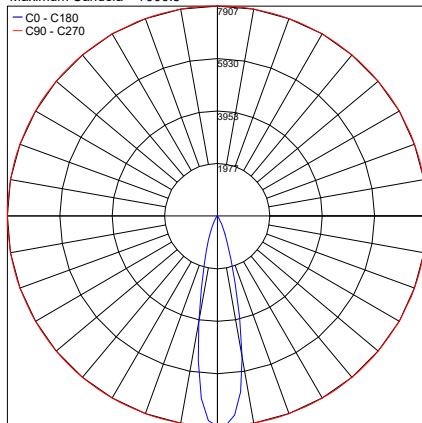
Part Number	Description	Input/Output	# of Fixtures - Loch M180
PPLT00465-P	0-10V Dimming to 1.0%	120-277VAC to 350mA, 20W, Class 2	1-1
PPLT00467-P	0-10V Dimming to 1.0%	120-277VAC to 350mA, 50W, Class 2, DAMP	1-1
PPLT00538-P	0-10V Dimming to 0.1% (4 channels)	120-277VAC to 350mA, 100W, Class 2	1-1 (1-4)

For other power supply options consult factory.

PHOTOMETRIC DATA

NOTE: All photometry is 3000K

Maximum Candela = 7906.8

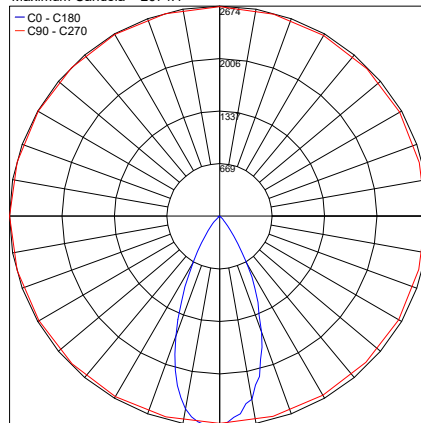


PHOTOMETRIC FILENAME : PT4013032B.IES

M180

21°

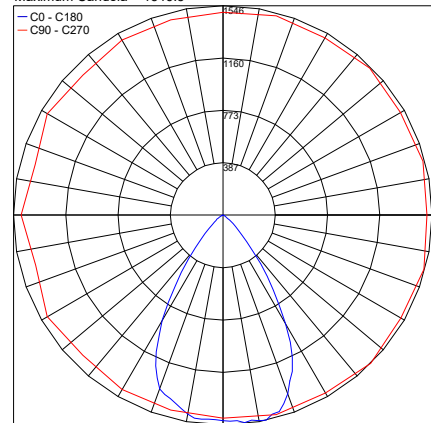
Maximum Candela = 2674.1



PHOTOMETRIC FILENAME : PT4013034B.IES

45°

Maximum Candela = 1546.5



PHOTOMETRIC FILENAME : PT4013036B.IES

65°

Job Name/Date:

Fixture Type Designation: