

SILL M-03

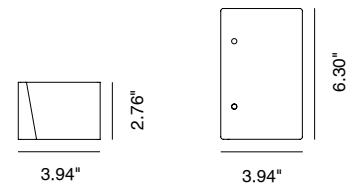
Sill is a square, IP66-rated, stainless steel, wall mounted luminaire with a compact body that offers 2 versions with mono or bi light emission with 3 LEDs for greater light output. It is available in 3 color temperatures, 3 optic options, and 3 Hard Coat Treatment finishes. Sill M03 is the mono light version.



TECHNICAL DATA

Wattage / Input	15W (M-03 - mono version - 350mA)
Power Supply	Remote 350mA - See page 2
Dimming	Available - See page 2
Construction	Body: AISI 316L Stainless Steel Lens: 0.16" Black Silk-screened, Extra-clear, Tempered Glass
CCT	2700K, 3000K, 4000K
CRI	>85
Delivered Lumens	1650 lm per direction (3000K)
Efficacy	110 lm/W per direction (3000K)
Optics	21°, 45°, 65°
BUG Rating	B2-U0-G0 (M-03, 21°)
Lumen Maintenance	100,000 hrs L80, B10 (Ta 25°C)
Hard Coat Finishes	Inox Natural, Inox Graphite, Inox Bronze
Fixture Dimensions	6.30" l x 2.76" h x 3.94" deep (M-03)
IP Rating	IP66
Impact Resistance	IK08
Warranty	10 Years Against Corrosion 5 Years on Electrical Components

Fixture Dimensions



Hard Coating Treatment is the surface treatment of all the products by Stral Lighting. It is not a skin of color, but instead is a process that allows for the color to be absorbed all the way through. If a product is scratched, the color beneath is the same as the color on the surface. It guarantees a high superficial resistance to corrosion and atmospheric agents, as well as making the products anti-fingerprint and anti-stain. Available in three finishes Inox Natural, Inox Graphite and Inox Bronze.

ORDERING INFORMATION

Example: SPT4033036B.US. Power Supplies / Accessories sold separately.

SPT40330				.US
Model No.	CCT	Optics	Finishes	
SPT40330 (M-03)	2 - 2700K 3 - 3000K 4 - 4000K	2 - 21° 4 - 45° 6 - 65°	N - Inox Natural G - Inox Graphite B - Inox Bronze	.US

Job Name/Date:

Fixture Type Designation:

FINISHES



Inox Natural



Inox Graphite



Inox Bronze

SUGGESTED POWER SUPPLIES

350mA

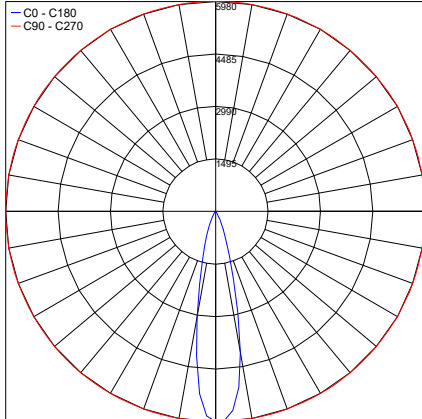
Part Number	Description	Input/Output	# of Fixtures M-03
PPLT00308-P	0-10V Dimming to 0.1%	120-277VAC to 350mA, 30W, Class 2, DAMP	1-1
PPLT00168-P	0-10V Dimming to 1.0%	120-277VAC to 350mA, 50W, Class 2	1-2
PPLT00467-P	0-10V Dimming to 1.0%	120-277VAC to 350mA, 50W, Class 2, DAMP	1-1
PPLT00538-P	0-10V Dimming to 0.1%	120-277VAC to 350mA, 100W, Class 2	1-4

For other power supply options consult factory.

PHOTOMETRIC DATA

NOTE: All photometry is 3000K

Maximum Candela = 5980.4

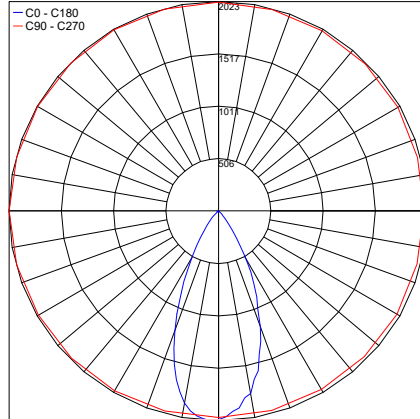


PHOTOMETRIC FILENAME : SILL M03 3000K 21° BLK - PT4033032B.IES

M-03

21°

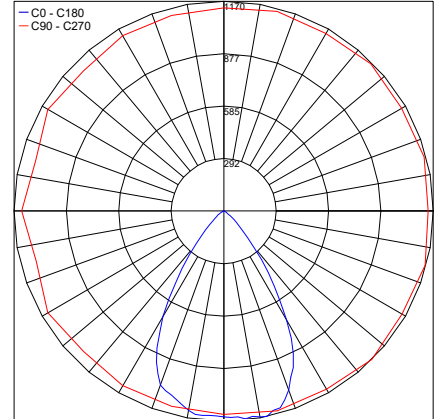
Maximum Candela = 2022.6



PHOTOMETRIC FILENAME : SILL M03 3000K 45° BLK - PT4033034B.IES

45°

Maximum Candela = 1169.7



PHOTOMETRIC FILENAME : SILL M03 3000K 65° BLK - PT4033036B.IES

65°

Job Name/Date:

Fixture Type Designation: