

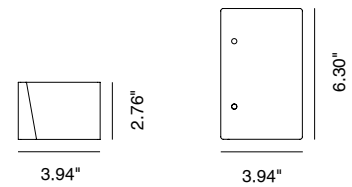
Sill is a square, IP66-rated, stainless steel, wall mounted luminaire with a compact body that offers 2 versions with mono or bi light emission with 3 LEDs for greater light output. It is available in 3 color temperatures, 3 optic options, and 3 Hard Coat Treatment finishes. Sill M03 is the mono light version.



TECHNICAL DATA

Wattage / Input	15W (M-03 - mono version - 350mA)
Power Supply	Remote 350mA - See page 2
Dimming	Available - See page 2
Construction	Body: AISI 316L Stainless Steel Lens: 0.16" Black Silk-screened, Extra-clear, Tempered Glass
CCT	2700K, 3000K, 4000K
CRI	>80
Delivered Lumens	1650 lm per direction (3000K)
Efficacy	110 lm/W per direction (3000K)
Optics	21°, 45°, 65°
BUG Rating	B2-U0-G0 (M-03, 21°)
Lumen Maintenance	100,000 hrs L80, B10 (Ta 25°C)
Hard Coat Finishes	Inox Natural, Inox Graphite, Inox Bronze
Fixture Dimensions	6.30" l x 2.76" h x 3.94" deep (M-03)
IP Rating	IP66
Impact Resistance	IK08

Fixture Dimensions



Hard Coating Treatment is the surface treatment of all the products by Stral Lighting. Available in three finishes Inox Natural, Inox Graphite and Inox Bronze. It guarantees a high superficial resistance to corrosion and atmospheric agents, as well as making the products anti-fingerprint and anti-stain.

ORDERING INFORMATION

Example: SPT4033036B.US. Power Supplies / Accessories sold separately.

SPT40330				.US
Model No.	CCT	Optics	Finishes	
SPT40330 (M-03)	2 - 2700K 3 - 3000K 4 - 4000K	2 - 21° 4 - 45° 6 - 65°	N - Inox Natural G - Inox Graphite B - Inox Bronze	.US

Job Name/Date:

Fixture Type Designation:

FINISHES



Inox Natural



Inox Graphite



Inox Bronze

SUGGESTED POWER SUPPLIES

350mA

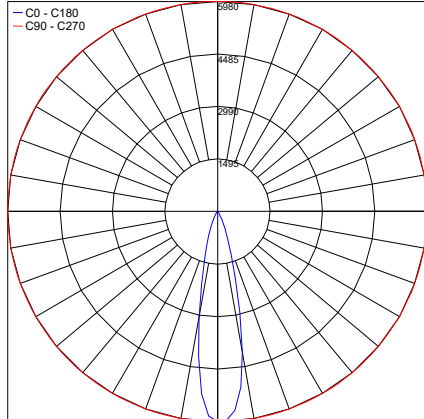
Part Number	Description	Input/Output	# of Fixtures M-03
PPLT00308-P	0-10V Dimming to 0.1%	120-277VAC to 350mA, 30W, Class 2, DAMP	1-1
PPLT00168-P	0-10V Dimming to 1.0%	120-277VAC to 350mA, 50W, Class 2	1-2
PPLT00467-P	0-10V Dimming to 1.0%	120-277VAC to 350mA, 50W, Class 2, DAMP	1-1
PPLT00538-P	0-10V Dimming to 0.1%	120-277VAC to 350mA, 100W, Class 2	1-4

For other power supply options consult factory.

PHOTOMETRIC DATA

NOTE: All photometry is 3000K

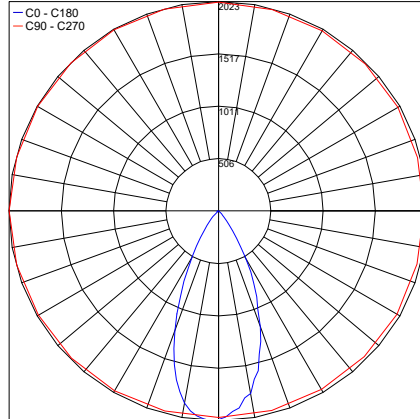
Maximum Candela = 5980.4



M-03

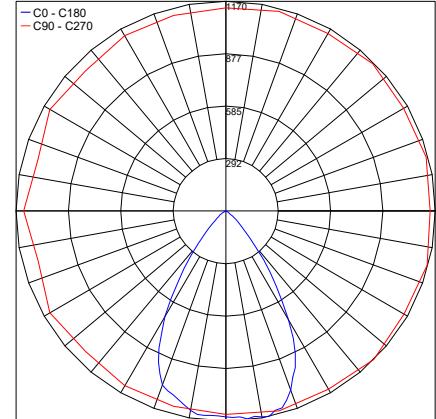
21°

Maximum Candela = 2022.6



45°

Maximum Candela = 1169.7



65°

Job Name/Date:

Fixture Type Designation: