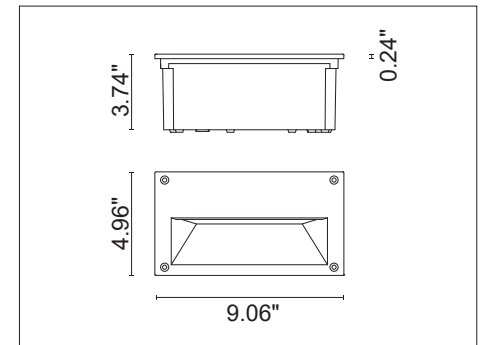


ALICE HORIZONTAL

- Rectangular luminaire for installation in the wall – recessed.
- Configuration: die-cast aluminum structure, EN AB-47100 alloy (low copper content). Glass diffuser: sandblasted.
- Double layer coating for high resistance to corrosion: the aluminum components are painted with a double coat using powders which are compliant with QUALICOAT standards: a first layer of epoxy powder (with excellent chemical and mechanical resistance) and a second finishing layer of polyester powder (resistant to UV rays and atmospheric agents). The entire painting process of the aluminum fitting starts from components which have been sandblasted in advance to make the surface more porous and increase the adherence of the paint. Ares effects alkaline and acid washing to clean the surfaces completely, then rinses with demineralised water to remove any residue particles, subsequently a chemical conversion treatment is done to protect against rusting.
- Protection rating: IP65
- Installation: wiring through two M16 plastic cable glands (0.18" <math>< \phi < 0.39\text{''}</math>) placed on the back side of the fitting. Outdoor use requires suitable flexible cables assuring the watertightness of the cable gland. Installation requires a dedicated box to be ordered separately.



Recessed wall fitting.



The fitting is equipped with 2 cable input.



Remote device required.



Protection against impact.
IK 08 - 5.00 joule

Job Name:

Fixture Type:

Last Modified:



designplan 

sales@designplan.com
www.designplan.com

ALICE HORIZONTAL

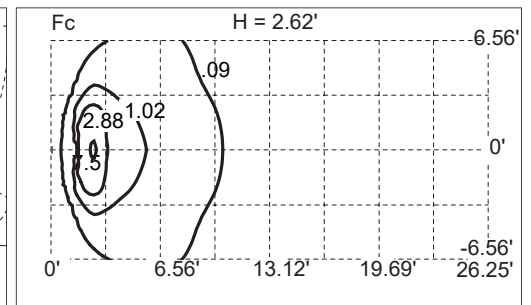
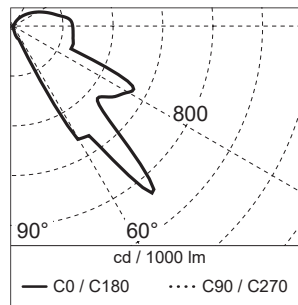
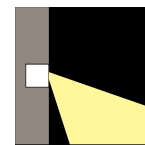
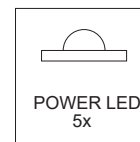
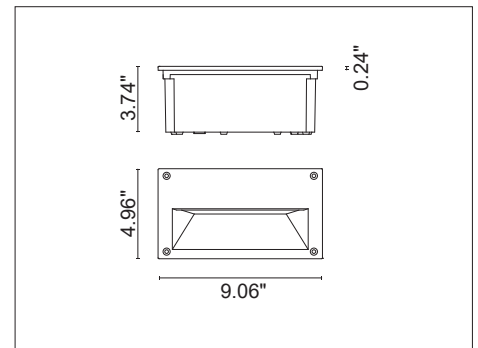
U8225917

WARM WHITE 3000K
 POWER LEDs
 5.5W/24VDC
 Total power 6.7W
 lm LED 600 ≠ lm OUTPUT 141
 CRI >80
 Remote electronic power
 supply to be ordered



U8212517

WARM WHITE 3000K
 POWER LEDs
 5.5W/120V
 Total power 8W
 lm LED 600 ≠ lm OUTPUT 141
 CRI >80
 Integral electronic power
 supply



Job Name:

Fixture Type:

Last Modified:



sales@designplan.com
 www.designplan.com

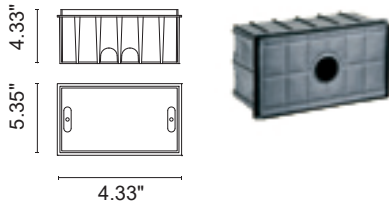
ACCESSORIES

Accessories: Alice

U77

BOX FOR INSTALLATION

9.29" x 5.35" H 4.33"



Job Name:

Fixture Type:

Last Modified:



designplan 

sales@designplan.com
www.designplan.com

© Copyright 2017 Designplan Lighting Inc.

79 Trenton Ave
Frenchtown, NJ 08825

Tel: 908-996-7710
Fax: 908-996-7042