

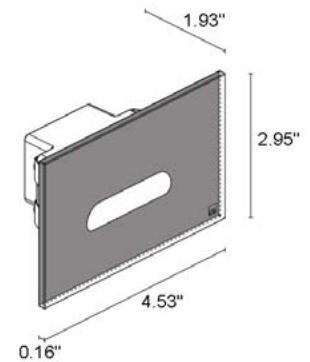
Naka is a asymmetric, recessed wall step or pathway light with an all-glass cover that are suitable for outdoor installation on footpaths, steps, stairs and corridors of private homes and hospitality venues. It is available in 2 sizes, with a flush or recessed versions for each, 3 color temperatures, and black or white standard finishes. Naka 2.0 is the larger flush version that requires an outer casing.



## TECHNICAL DATA

<b>Wattage / Input</b>	2W (700mA)
<b>Power Supply</b>	Remote, not included. See page 2.
<b>Construction</b>	Body: Die-cast Aluminum Lens: Serigraphed, Tempered, Transparent Extra-clear Glass
<b>CCT</b>	2700K, 3000K, 4000K
<b>CRI</b>	>90
<b>BUG Rating</b>	B0-U1-G0 (3000K)
<b>Delivered Lumens</b>	46 lm (3000K)
<b>Efficacy</b>	23 lm/W
<b>Optics</b>	Asymmetrical
<b>Finishes</b>	Black, White
<b>Fixture Dimensions</b>	4.5" x 3.0" x 1.9"
<b>Fixture Weight</b>	0.44 lbs
<b>LED Source</b>	1 Power LED
<b>Lumen Maintenance</b>	L80, B10 >60,000 hrs (Ta 25°C)
<b>Color Consistency</b>	2-step MacAdam
<b>Operating Temp.</b>	32°F to +122°F
<b>IP Rating</b>	IP66
<b>Impact Rating</b>	IK07
<b>JA8</b>	Exempt

Fixture Dimensions



**OUTER CASING REQUIRED**

## ORDERING INFORMATION

Example: NK2021100050AN. Accessories / Power Supplies ordered separately.

NK20211000		A	
Model No.	CCT	Optics	Finish
NK20211000	F0 - 2700K 50 - 3000K 90 - 4000K	A - Asymmetrical	E - White N - Black C - Custom RAL (consult factory for "C")

Job Name/Date:

Fixture Type Designation:

## SUGGESTED POWER SUPPLIES

700mA

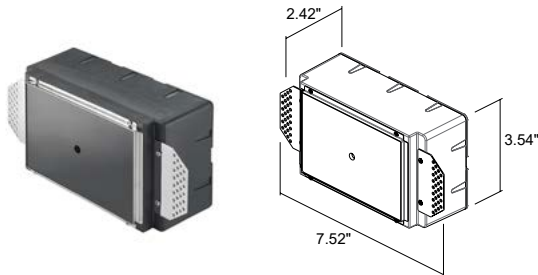
Part Number	Description	Input/Output	# of Fixtures
<a href="#">PPLT00199</a>	0-10V Dimming to 10%	120-277VAC to 700mA, 6W, Class 2	2-2
<a href="#">PPLT00498</a>	PHASE DIM (120V only)	120VAC to 700mA, 12W, Class 2	3-4
<a href="#">PPLT00465-P</a>	0-10V Dimming to 1.0%	120-277VAC to 700mA, 20W, Class 2, DAMP	2-10
<a href="#">PPLT00261</a>	Leading / Trailing Edge Dimming to 10% (120V only)	120VAC to 700mA, 26W, Class 2, IP67	11-12
<a href="#">PPLT00309-P</a>	0-10V Dimming to 0.1%	120-277VAC to 700mA, 50W, Class 2	2-15
<a href="#">PPLT00538-P</a>	0-10V Dimming to 0.1% (4 channels)	120-277VAC to 700mA, 100W, Class 2	2-12 (2-48)

## Suggested Lutron Compatible

Part Number	Option	Lutron SKU	Dim Range	Description	Input/Output	# of Fixtures
<a href="#">PPLT00515</a>	L3DAE / L3DA3W	L3DA	100%-1%	Hi-Lume™ 1% EcoSystem™ or 1% 3-Wire LED Driver	120-277VAC to 700mA, 10W, Class 2	5-5
<a href="#">PPLT00635</a>	PEQ0E	PEQ0	100%-1%	Hi-Lume™ Premier 0.1% EcoSystem™ (0.1% DIM) LED Driver	120/277VAC to 700mA, 20W, Class 2	6-7
<a href="#">PPLT00673</a>	PEQ0E	PEQ0	100%-1%	Hi-Lume™ Premier 0.1% EcoSystem™ (0.1% DIM) LED Driver	120-277VAC to 700mA, 20W, Class 2	6-7
<a href="#">PPLT00517</a>	L3DAE / L3DA3W	L3DA	100%-1%	Hi-Lume™ 1% EcoSystem™ or 1% 3-Wire LED Driver	120-277VAC to 700mA, 27W, Class 2	8-10

For other power supply options consult factory.

## ACCESSORIES - Installation



### WCA24

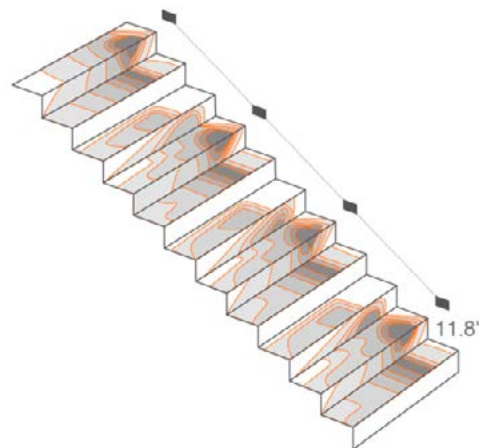
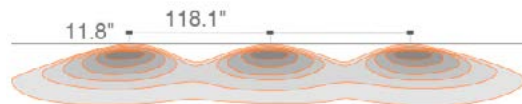
Outer Casing - **REQUIRED**



### WN0C20A2

Kit for 0.63" thick plasterboard

## LIGHT BEAM SPREAD



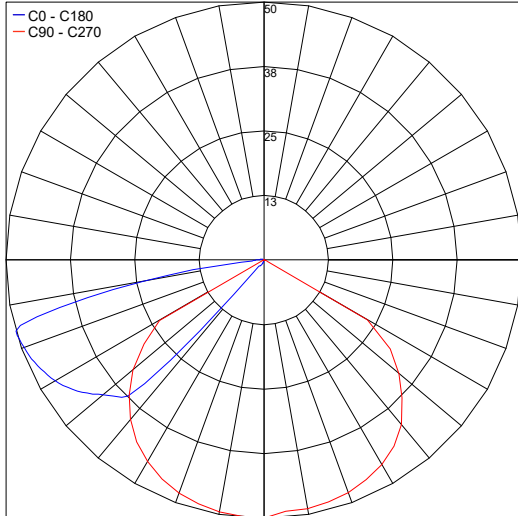
Job Name/Date:

Fixture Type Designation:

## PHOTOMETRIC DATA

Note all Photometry is 3000K

Maximum Candela = 50.2



PHOTOMETRIC FILENAME : NAKA\_2.0\_A\_3000K\_2W\_700MA.IES

Job Name/Date:

Fixture Type Designation: