

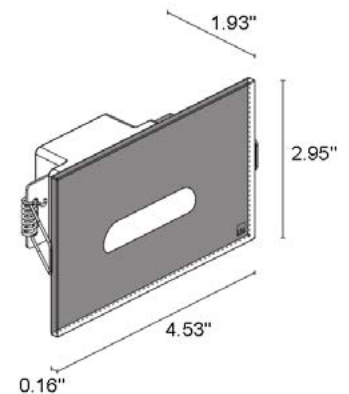
Naka is a asymmetric, recessed wall step or pathway light with an all-glass cover that are suitable for outdoor installation on footpaths, steps, stairs and corridors of private homes and hospitality venues. It is available in 2 sizes, with a flush or regressed versions for each, 3 color temperatures, and black or white standard finishes. Naka 2.1 is the larger regressed with fixing springs version.



TECHNICAL DATA

Wattage / Input	2W (700mA)
Power Supply	Remote, not included. See page 2.
Construction	Body: Die-cast Aluminum Lens: Serigraphed, Tempered, Transparent Extra-clear Glass
CCT	2700K, 3000K, 4000K
CRI	>90
BUG Rating	B0-U1-G0 (3000K)
Delivered Lumens	46 lm (3000K)
Efficacy	23 lm/W
Optics	Asymmetrical
Finishes	Black, White
Fixture Dimensions	4.5" x 3.0" x 1.9"
Fixture Weight	0.44 lbs
LED Source	1 Power LED
Lumen Maintenance	L80, B10 >60,000 hrs (Ta 25°C)
Color Consistency	2-step MacAdam
Operating Temp.	32°F to +122°F
IP Rating	IP66
Impact Rating	IK07
JA8	Exempt

Fixture Dimensions



ORDERING INFORMATION

Example: NK2121100050AN. Accessories / Power Supplies ordered separately.

NK21211000		A	
Model No.	CCT	Optics	Finish
NK21211000	F0 - 2700K 50 - 3000K 90 - 4000K	A - Asymmetrical	E - White N - Black C - Custom RAL (consult factory for "C")

Job Name/Date:

Fixture Type Designation:

SUGGESTED POWER SUPPLIES

700mA

Part Number	Description	Input/Output	# of Fixtures
PPLT00199	0-10V Dimming to 10%	120-277VAC to 700mA, 6W, Class 2	2-2
PPLT00498	PHASE DIM (120V only)	120VAC to 700mA, 12W, Class 2	3-4
PPLT00465-P	0-10V Dimming to 1.0%	120-277VAC to 700mA, 20W, Class 2, DAMP	2-10
PPLT00261	Leading / Trailing Edge Dimming to 10% (120V only)	120VAC to 700mA, 26W, Class 2, IP67	11-12
PPLT00309-P	0-10V Dimming to 0.1%	120-277VAC to 700mA, 50W, Class 2	2-15
PPLT00538-P	0-10V Dimming to 0.1% (4 channels)	120-277VAC to 700mA, 100W, Class 2	2-12 (2-48)

Suggested Lutron Compatible

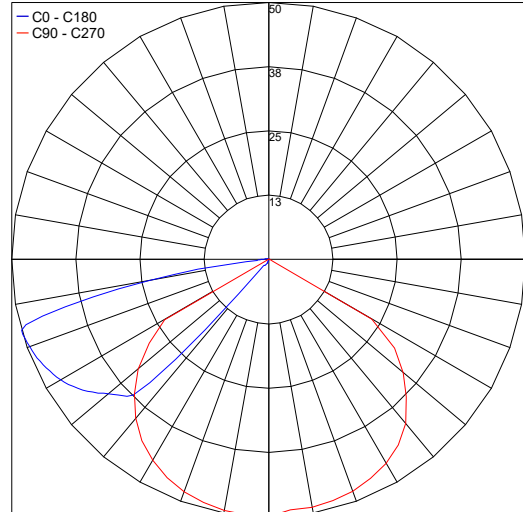
Part Number	Option	Lutron SKU	Dim Range	Description	Input/Output	# of Fixtures
PPLT00515	L3DAE / L3DA3W	L3DA	100%-1%	Hi-Lume™ 1% EcoSystem™ or 1% 3-Wire LED Driver	120-277VAC to 700mA, 10W, Class 2	5-5
PPLT00635	PEQ0E	PEQ0	100%-1%	Hi-Lume™ Premier 0.1% EcoSystem™ (0.1% DIM) LED Driver	120/277VAC to 700mA, 20W, Class 2	6-7
PPLT00673	PEQ0E	PEQ0	100%-1%	Hi-Lume™ Premier 0.1% EcoSystem™ (0.1% DIM) LED Driver	120-277VAC to 700mA, 20W, Class 2	6-7
PPLT00517	L3DAE / L3DA3W	L3DA	100%-1%	Hi-Lume™ 1% EcoSystem™ or 1% 3-Wire LED Driver	120-277VAC to 700mA, 27W, Class 2	8-10

For other power supply options consult factory.

PHOTOMETRIC DATA

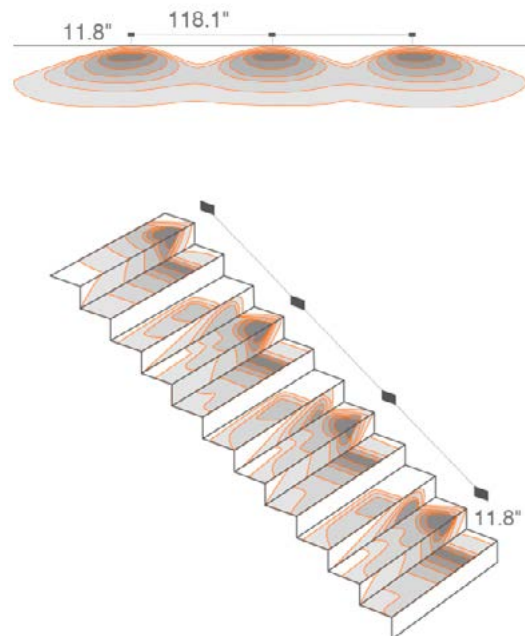
Note all Photometry is 3000K

Maximum Candela = 50.2



PHOTOMETRIC FILENAME : NAKA_2.1_A_3000K_2W_700MA.IES

LIGHT BEAM SPREAD



Job Name/Date:

Fixture Type Designation: