

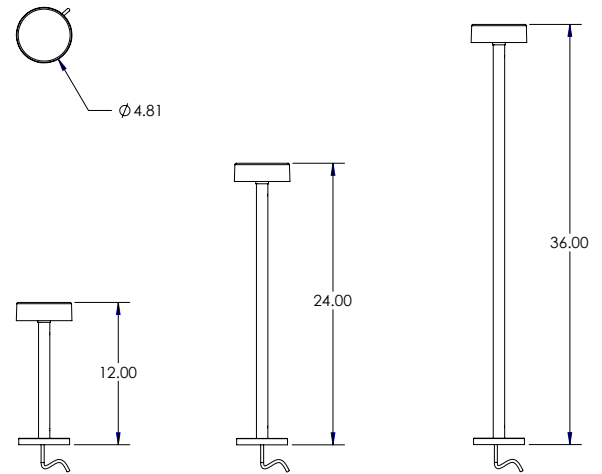
Vinny is an outdoor LED bollard with a round head offered in 3 different heights, 1-foot, 2-foot or 3-foot. It is offered in static white, with 5 standard finishes. Dark Sky compliant.



TECHNICAL DATA

Wattage	10W
Power Supply	Remote 350mA, not included - See page 2
Dimming	Dimming based on remote power selected.
Construction	Body: Aluminum Lens: Clear
CCT	2700K, 3000K, 4000K
BUG Rating	B0-U2-G0 (3000K)
CRI	>80
Delivered Lumens	625 lm (3000K) - Dark Sky compliant
Efficacy	62.5 lm/W
Optics	360°
Finishes	5 Standard, Custom RAL on request
Fixture Dimensions	Ø4.8" or 12.0", 24.0" or 36.0" h
IP Rating	IP65

Fixture Dimensions - Spike version on page 2



ORDERING INFORMATION

Example: VIN-L-1-40-02-R-0. Accessories / Power Supplies ordered separately.

VIN-L	-		-		-		-	0
Model #	Height	CCT	Finish	Dimming	Options			
VIN-L	1 - 1 ft. 2 - 2 ft. 3 - 3 ft.	27 - 2700K 30 - 3000K 40 - 4000K	11 - White Suede 02 - Black Suede GR - Graphite 18 - Tex. Bronze TS - Silver C - Custom	R - Remote Driver L - Lutron Dimming Remote Driver	0 - None			

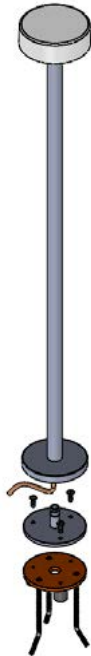
Job Name/Date:

Fixture Type Designation:

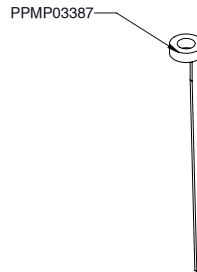
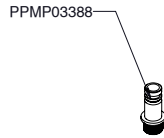
ACCESSORIES - Installation



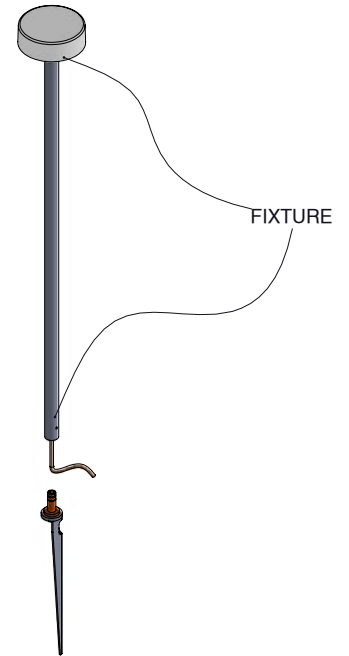
AM-00018
Mounting Base
Assembly



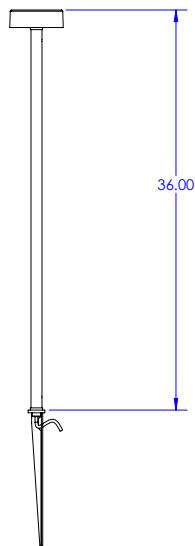
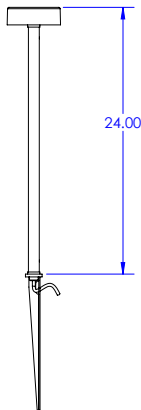
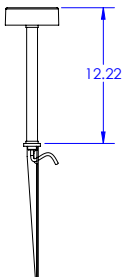
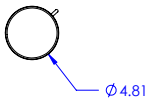
Spike Version



AM-00019
Spike Base
Assembly



FIXTURE DIMENSIONS - Spike Version



Job Name/Date:

Fixture Type Designation:

SUGGESTED POWER SUPPLIES

350mA Remote Drivers

Part Number	Description	Input/Output	# of Fixtures
PPLT00139	0-10V Dimming to 10%	120-277VAC to 350mA, 12W, Class 2	1-1
PPLT00468	Phase Dim (120V only)	120-277VAC to 350mA, 14W, Class 2	1-1
PPLT00465-P	0-10V Dimming to 1.0%	120-277VAC to 350mA, 20W, Class 2	1-1
PPLT00263	Leading / Trailing Edge Dimming to 10% (120V only)	120-277VAC to 350mA, 32W, Class 2	1-1
PPLT00168-P	0-10V Dimming to 1.0%	120-277VAC to 350mA, 50W, Class 2	1-2
PPLT00538-P	0-10V Dimming to 0.1%	120-277VAC to 350mA, 100W, Class 2	1-4

Suggested Lutron Compatible - Static White - 350mA Remote Driver

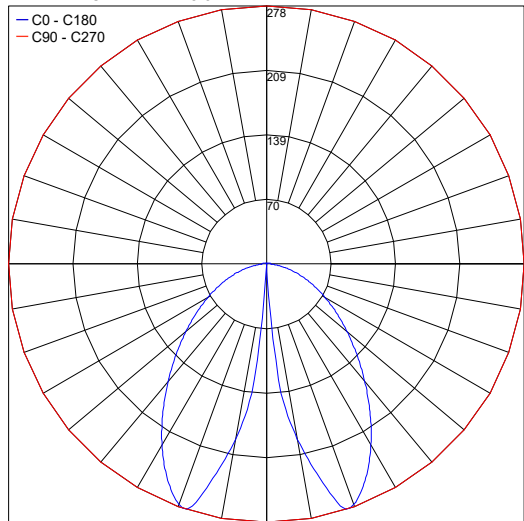
Part Number	Option	Lutron SKU	Dim Range	Description	Input/Output	# of Fixtures
PPLT00516	L3DAE / L3DA3W	L3DA	100%-1%	Hi-Lume™ 1% EcoSystem™ or 1% 3-Wire LED Driver	120-277VAC to 350mA, 13W, Class 2	1-1

For other power supply options consult factory.

PHOTOMETRIC DATA

Note: All photometry is 3000K

Maximum Candela = 278.3



PHOTOMETRIC FILENAME : VINNY 1FT 30K WHITE SUEDE - LLIA002261-002.IES

Job Name/Date:

Fixture Type Designation: