



**INSTRUCTIONS PERTAINING TO RISK OF FIRE OR INJURY TO PERSONS. READ ALL INSTRUCTIONS. IMPORTANT SAFETY INSTRUCTIONS. SAVE THESE INSTRUCTIONS.**

**DANGER - RISK OF SHOCK - DISCONNECT POWER BEFORE INSTALLATION! Please read all instructions before installation.**

- Keep these instructions for future reference.
- Must be installed by a qualified electrician in accordance with national and local standards. Designplan is not responsible for fixtures installed without regard to these standards.
- Unauthorized alterations or tampering of product voids warranty.
- The main power connection must be in accordance with local electrical codes.
- Suitable for INDOOR applications.
- DO NOT INSTALL INSULATION WITHIN 3.0" (76 mm) OF ANY PART OF THE LUMINAIRE.



**ATTENTION: For Surface** - It is the contractor's responsibility to caulk around all the edges between the fixture and the mounting surface to satisfy wet label requirements.

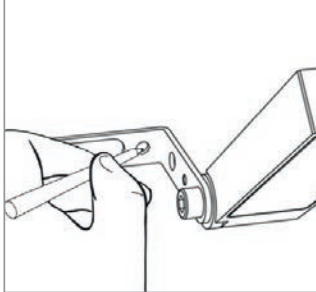
## Maintenance

Scheduled maintenance must be carried out once a year on all lighting devices, regardless of appliance class and type of use. It must include the following operations:

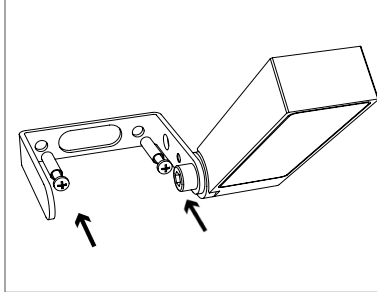
- Periodically clean fixtures to remove dirt from gratings and screw heads.
- Check tightness of screws on various parts of the device.
- Check that all cable glands and cables are intact and tight. Check that the glass or plastic lens is intact, and replace it if broken or damaged.
- The internal components such as the ballast, driver, washers and screws must not show clear signs of oxidation or rust. Clear traces of rust and oxidation will indicate the presence of water inside the device.
- In the case of damage, the components must be replaced by original components or spare parts.

## INSTALLATION AND WIRING

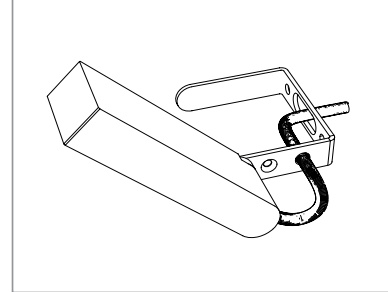
### APPLIANCE INSTALLATION PREPARATION



Draw fixing holes

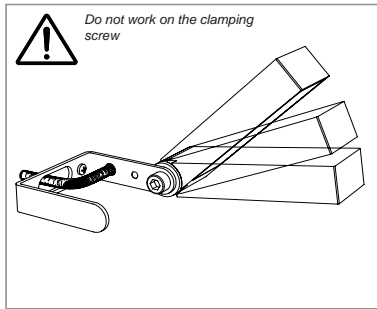


Drill the wall in the traced marks, insert the fixing plugs and align the bracket and screws

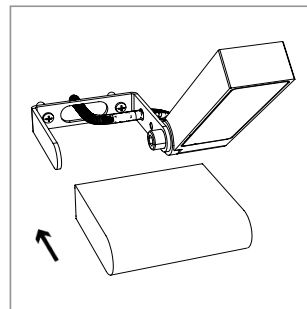


Insert the cable into the corrugated conduit until it reaches the previously prepared junction box

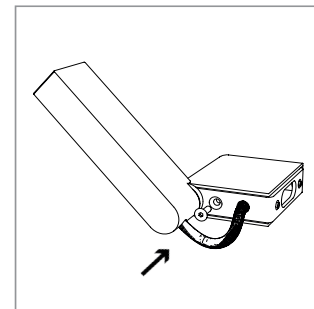
### HEAD INCLINATION ADJUSTMENT:



Adjust the head of the unit by bending it slightly



Insert the bracket cover



Torx T9 and fasten with T9 Torx key

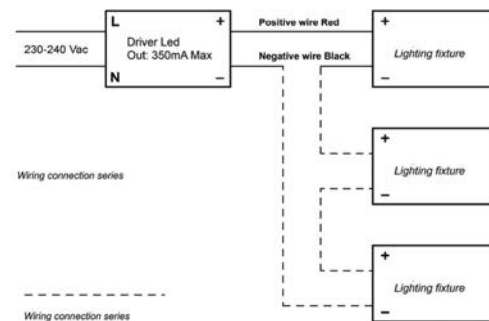
### ELECTRICAL DIAGRAM

Cable wiring using waterstop connector

Suggested cable cross-section - up to 2 x 18 AWG. Cable external diameter min. - max. 0.189" - 0.236" DIA.

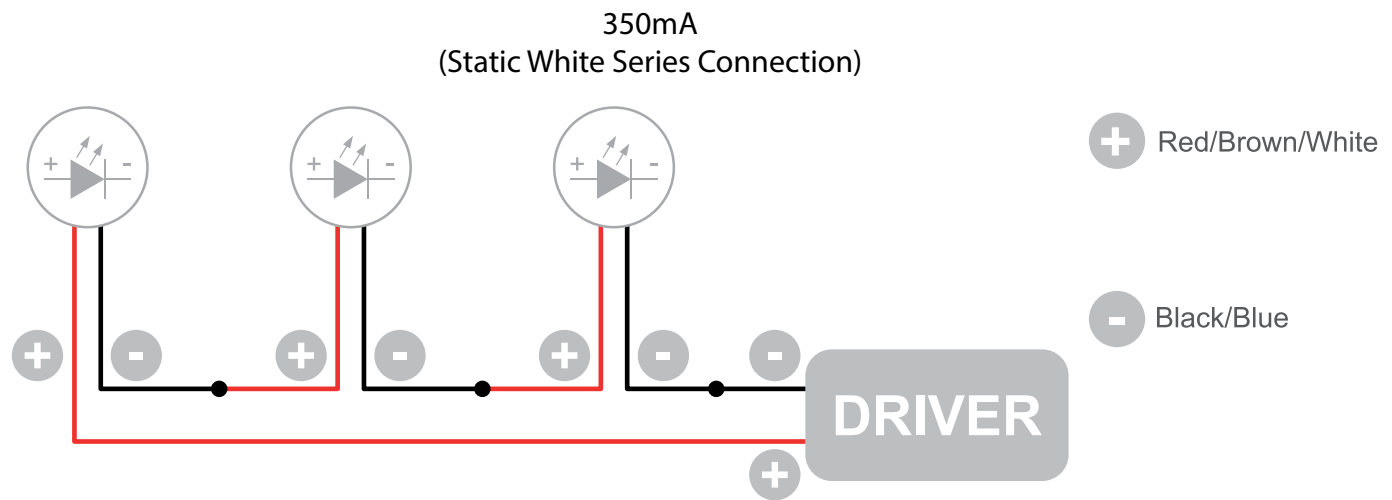
Including 5m of cable for connection in the junction box, to be set up separately


Size the length and cable's cross section in accordance with the specifications of the LED Driver manufacturer



The number of devices that can be connected depends on the voltage of the SELV power supply Max 120 Volt - ΔV : 12.8V for each device (@350mA SEE TECHNICAL DATA OF THE LIGHTING BODY)

## Wiring Diagram



 The individual lamps must be connected in series.  
Only power up the system once all the lamps have been connected.

- LED lights work at constant current. When choosing a power supply unit, you need to consider the current by which the LEDs are driven and their maximum power consumption.
- Only power up the system once all the lamps are connected. Connecting an individual lamp to an active power supply may cause the lamp to break due to over-voltage.
- The electronic power supply is constant current, so to a certain extent it automatically compensates the voltage drop associated with cable length; however, we advise not exceeding 100 feet.
- Lamps and power supply units must be installed in well-ventilated boxes or locations to allow a natural heat diffusion and avoid the devices overheating.
- On the power system, install a surge protection device to reduce the intensity of any voltage spikes to protect the lighting fixtures from the risk of damage.
- Fixture NOT suitable for covering with thermally insulating material.