

CAR-GO 1 is an extremely durable, IP67-rated, outdoor, linear in-grade fixture designed for floors and/or driveways. It is available in 4 different lengths with diffuse optics and driveover rated up to 4,400 lbs.



Fixture Dimensions - see page 2

## TECHNICAL DATA

<b>Wattage</b>	2.5W, 12W, 24W, 34W
<b>Power Supply</b>	Remote 24VDC - See Page 3
<b>Construction</b>	Body: Extruded aluminum EN AW6026 Lens: Opal Glass Diffuser
<b>CCT</b>	3000K (other colors on request)
<b>CRI</b>	>90
<b>Delivered Lumens</b>	115 lm (CAR-GO 1 130) 510 lm (CAR-GO 1 300) 1020 lm (CAR-GO 1 600) 1300 lm (CAR-GO 1 900)
<b>Efficacy</b>	46 lm/W (CAR-GO 1 130) 43 lm/W (CAR-GO 1 300) 43 lm/W (CAR-GO 1 600) 38 lm/W (CAR-GO 1 900)
<b>Optics</b>	Diffuse
<b>Finishes</b>	Glass
<b>Fixture Dimensions</b>	5.3" l x 3.7" x 4.3" (CAR-GO 1 130) 13.0" x 3.7" x 4.3" (CAR-GO 1 300) 24.1" x 3.7" x 4.3" (CAR-GO 1 600) 35.2" x 3.7" x 4.3" (CAR-GO 1 900)
<b>Lumen Maintenance</b>	L80, B15 >60,000hrs (Ta 40°C)
<b>Color Consistency</b>	3-Step MacAdam
<b>IP Rating</b>	IP67
<b>Impact Resistance</b>	IK10
<b>Driverover Rating</b>	Up to 4409 lbs

## ORDERING INFORMATION

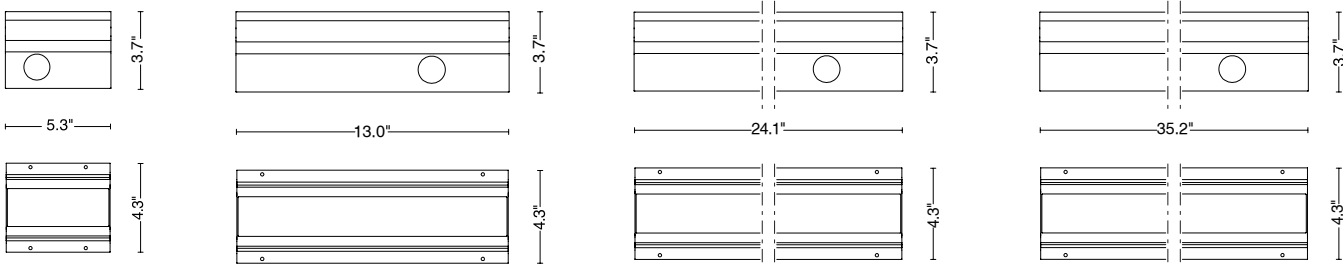
Example: LNCGL6IPTDHB7ZU.US. Power Supplies / Accessories ordered separately.

<b>LNCG</b>		<b>D</b>	<b>HB7Z</b>	<b>U</b>	<b>US</b>
<b>Model No.</b>	<b>Size</b>	<b>Optics</b>	<b>Power</b>	<b>Finish</b>	
LNCG	L1 IPT - CAR-GO 1 130 (2.5W) L3 IPT - CAR-GO 1 300 (12W) L6 IPT - CAR-GO 1 600 (24W) L9 IPT - CAR-GO 1 900 (34W)	D - Diffuse	HB7Z - Remote Driver	U - Glass	US

Job Name/Date:

Fixture Type Designation:

## FIXTURE DIMENSIONS



## ACCESSORIES - (included)

0.5 m (1.64') length cable - 05RN-F - Included

Single connection IP68 - Included

## ACCESSORIES - Optional

**00CCL1.STD**

Housing Box

**0404M019**

Three-way connection box mini

Job Name/Date:

Fixture Type Designation:

## SUGGESTED POWER SUPPLIES

24VDC

Part Number	Description	Input/Output	# of Fixtures			
			2.5W	12W	24W	36W
<a href="#">PPLT00684</a>	Non-Dim	120-277VAC to 24VDC, 20W, Class 2, IP67	1-6	1-1	—	—
<a href="#">PPLT00567</a>	Non-Dim	120-277VAC to 24VDC, 36W, Class 2	1-11	1-2	1-1	—
<a href="#">PPLT00691</a>	Non-Dim	120-277VAC to 24VDC, 60W, Class 2, IP67	1-19	1-4	1-2	1-1
<a href="#">PPLT00627</a>	ELV / TRIAC & 0-10V Dimming (100 to 0%)	120-277VAC to 24VDC, 96W, Class 2, IP67	1-30	1-6	1-3	1-2
<a href="#">PPLT00158</a>	Non-Dim	120VAC to 24VDC, 100W, Class 2	1-32	1-6	1-3	1-2
<a href="#">PPLT00543</a>	0-10V Dimming to 15% (-40°C / -40°F cold weather start)	120-277VAC to 24VDC, 100W, Class 2	1-32	1-6	1-3	1-2

### Suggested Lutron Compatible - 2.5W (Car-Go 1 130)

Part Number	Option	Lutron SKU	Dim Range	Description	Input/Output	# of Fixtures
<a href="#">PPLT00273</a>	L3DAE / L3DA3W	L3DA	100%-1%	Hi-Lume™ 1% EcoSystem™ or 1% 3-Wire LED Driver	120-277VAC to 24VDC, 40W, Class 2	1-12
<a href="#">PPLT00530</a>	L3DAE / L3DA3W	L3DA	100%-1%	Hi-Lume™ 1% EcoSystem™ or 1% 3-Wire LED Driver	120-277VAC to 24VDC, 96W, Class 2	1-30

### Suggested Lutron Compatible - 12W (Car-Go 1 300)

Part Number	Option	Lutron SKU	Dim Range	Description	Input/Output	# of Fixtures
<a href="#">PPLT00273</a>	L3DAE / L3DA3W	L3DA	100%-1%	Hi-Lume™ 1% EcoSystem™ or 1% 3-Wire LED Driver	120-277VAC to 24VDC, 40W, Class 2	1-2
<a href="#">PPLT00530</a>	L3DAE / L3DA3W	L3DA	100%-1%	Hi-Lume™ 1% EcoSystem™ or 1% 3-Wire LED Driver	120-277VAC to 24VDC, 96W, Class 2	1-6

### Suggested Lutron Compatible - 24W (Car-Go 1 600)

Part Number	Option	Lutron SKU	Dim Range	Description	Input/Output	# of Fixtures
<a href="#">PPLT00273</a>	L3DAE / L3DA3W	L3DA	100%-1%	Hi-Lume™ 1% EcoSystem™ or 1% 3-Wire LED Driver	120-277VAC to 24VDC, 40W, Class 2	1-1
<a href="#">PPLT00530</a>	L3DAE / L3DA3W	L3DA	100%-1%	Hi-Lume™ 1% EcoSystem™ or 1% 3-Wire LED Driver	120-277VAC to 24VDC, 96W, Class 2	1-3

### Suggested Lutron Compatible - 34W (Car-Go 1 900)

Part Number	Option	Lutron SKU	Dim Range	Description	Input/Output	# of Fixtures
<a href="#">PPLT00530</a>	L3DAE / L3DA3W	L3DA	100%-1%	Hi-Lume™ 1% EcoSystem™ or 1% 3-Wire LED Driver	120-277VAC to 24VDC, 96W, Class 2	1-2

For other power supply options consult factory.

Job Name/Date:

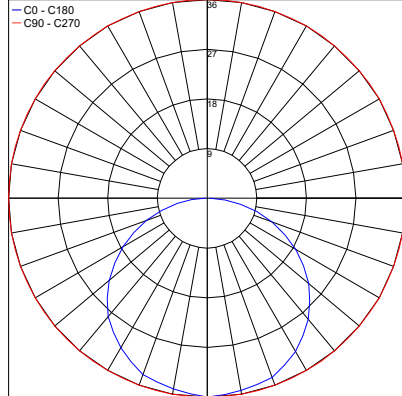
Fixture Type Designation:

## PHOTOMETRIC DATA

Note: All photometric data is 3000K

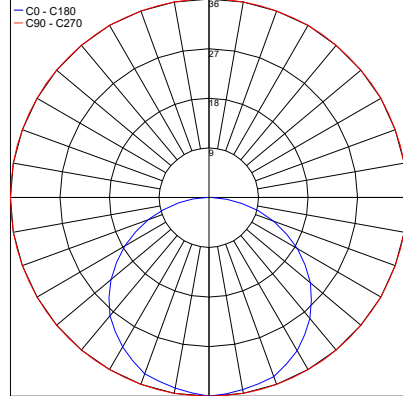
### CAR-GO 1 130

Maximum Candela = 35.5



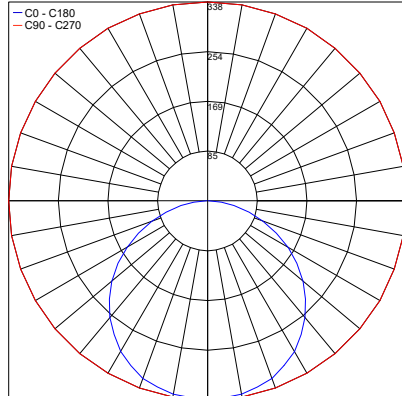
### CAR-GO 1 300

Maximum Candela = 35.5



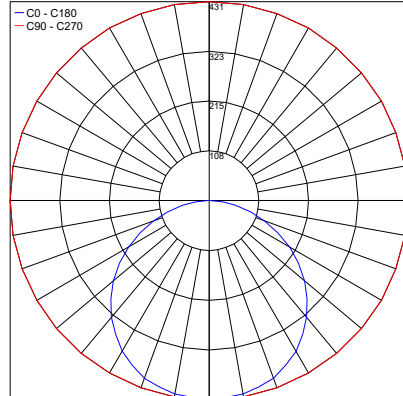
### CAR-GO 1 600

Maximum Candela = 338.3



### CAR-GO 1 900

Maximum Candela = 430.9



Job Name/Date:

Fixture Type Designation: