

CAR-GO 1 is an extremely durable, IP67-rated, outdoor, linear in-grade fixture designed for floors and/or driveways. It is available in 4 different lengths with diffuse optics and driveover rated up to 4,400 lbs.



Fixture Dimensions - see page 2

TECHNICAL DATA

Wattage	2.5W, 12W, 24W, 34W
Power Supply	Remote 24VDC - See Page 3
Construction	Body: Extruded aluminum EN AW6026 Lens: Opal Glass Diffuser
CCT	3000K (other colors on request)
CRI	>90
Delivered Lumens	115 lm (CAR-GO 1 130) 510 lm (CAR-GO 1 300) 1020 lm (CAR-GO 1 600) 1300 lm (CAR-GO 1 900)
Efficacy	46 lm/W (CAR-GO 1 130) 43 lm/W (CAR-GO 1 300) 43 lm/W (CAR-GO 1 600) 38 lm/W (CAR-GO 1 900)
Optics	Diffuse
Finishes	Glass
Fixture Dimensions	5.3" l x 3.7" x 4.3" (CAR-GO 1 130) 13.0" x 3.7" x 4.3" (CAR-GO 1 300) 24.1" x 3.7" x 4.3" (CAR-GO 1 600) 35.2" x 3.7" x 4.3" (CAR-GO 1 900)
Lumen Maintenance	L80, B15 >60,000hrs (Ta 40°C)
Color Consistency	3-Step MacAdam
IP Rating	IP67
Impact Resistance	IK10
Driverover Rating	Up to 4409 lbs

REQUIRED HOUSING BOX
Ordered Separately - See page 2

ORDERING INFORMATION

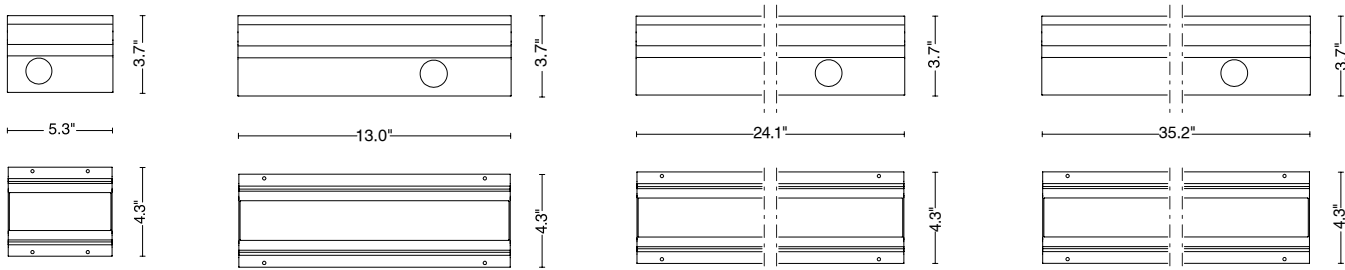
Example: LNCGL6IPTDHB7ZU.US. Power Supplies / REQUIRED Accessories ordered separately.

LNCG		D	HB7Z	U	US
Model No.	Size	Optics	Power	Finish	
LNCG	L1 IPT - CAR-GO 1 130 (2.5W) L3 IPT - CAR-GO 1 300 (12W) L6 IPT - CAR-GO 1 600 (24W) L9 IPT - CAR-GO 1 900 (34W)	D - Diffuse	HB7Z - Remote Driver	U - Glass	US

Job Name/Date:

Fixture Type Designation:

FIXTURE DIMENSIONS



ACCESSORIES - (included)

0.5 m (1.64') length cable - 05RN-F - Included

Single connection IP68 - Included

ACCESSORIES - Required

00CCL1.STD - for Car-Go 1 130

00CGL30.STD - for Car-Go 1 300

00CGL60.STD - for Car-Go 1 600

00CGL90.STD - for Car-Go 1 900

Housing Box - REQUIRED

0404M019

Three-way connection box mini

Job Name/Date:

Fixture Type Designation:

SUGGESTED POWER SUPPLIES

24VDC

Part Number	Description	Input/Output	# of Fixtures			
			2.5W	12W	24W	36W
PPLT00684	Non-Dim	120-277VAC to 24VDC, 20W, Class 2, IP67	1-6	1-1	—	—
PPLT00567	Non-Dim	120-277VAC to 24VDC, 36W, Class 2	1-11	1-2	1-1	—
PPLT00691	Non-Dim	120-277VAC to 24VDC, 60W, Class 2, IP67	1-19	1-4	1-2	1-1
PPLT00709	ELV / TRIAC & 0-10V Dimming	120-277VAC to 24VDC, 96W, Class 2, DAMP	1-30	1-6	1-3	1-2
PPLT00543	0-10V Dimming to 15% (-40°C / -40°F cold weather start)	120-277VAC to 24VDC, 100W, Class 2	1-32	1-6	1-3	1-2

Suggested Lutron Compatible - 2.5W (Car-Go 1 130)

Part Number	Option	Lutron SKU	Dim Range	Description	Input/Output	# of Fixtures
PPLT00273	L3DAE / L3DA3W	L3DA	100%-1%	Hi-Lume™ 1% EcoSystem™ or 1% 3-Wire LED Driver	120-277VAC to 24VDC, 40W, Class 2	1-12
PPLT00530	L3DAE / L3DA3W	L3DA	100%-1%	Hi-Lume™ 1% EcoSystem™ or 1% 3-Wire LED Driver	120-277VAC to 24VDC, 96W, Class 2	1-30

Suggested Lutron Compatible - 12W (Car-Go 1 300)

Part Number	Option	Lutron SKU	Dim Range	Description	Input/Output	# of Fixtures
PPLT00273	L3DAE / L3DA3W	L3DA	100%-1%	Hi-Lume™ 1% EcoSystem™ or 1% 3-Wire LED Driver	120-277VAC to 24VDC, 40W, Class 2	1-2
PPLT00530	L3DAE / L3DA3W	L3DA	100%-1%	Hi-Lume™ 1% EcoSystem™ or 1% 3-Wire LED Driver	120-277VAC to 24VDC, 96W, Class 2	1-6

Suggested Lutron Compatible - 24W (Car-Go 1 600)

Part Number	Option	Lutron SKU	Dim Range	Description	Input/Output	# of Fixtures
PPLT00273	L3DAE / L3DA3W	L3DA	100%-1%	Hi-Lume™ 1% EcoSystem™ or 1% 3-Wire LED Driver	120-277VAC to 24VDC, 40W, Class 2	1-1
PPLT00530	L3DAE / L3DA3W	L3DA	100%-1%	Hi-Lume™ 1% EcoSystem™ or 1% 3-Wire LED Driver	120-277VAC to 24VDC, 96W, Class 2	1-3

Suggested Lutron Compatible - 34W (Car-Go 1 900)

Part Number	Option	Lutron SKU	Dim Range	Description	Input/Output	# of Fixtures
PPLT00530	L3DAE / L3DA3W	L3DA	100%-1%	Hi-Lume™ 1% EcoSystem™ or 1% 3-Wire LED Driver	120-277VAC to 24VDC, 96W, Class 2	1-2

For other power supply options consult factory.

Job Name/Date:

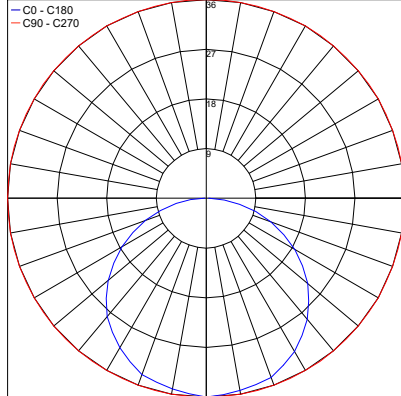
Fixture Type Designation:

PHOTOMETRIC DATA

Note: All photometric data is 3000K

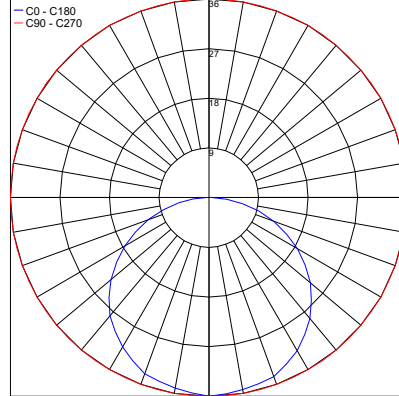
CAR-GO 1 130

Maximum Candela = 35.5



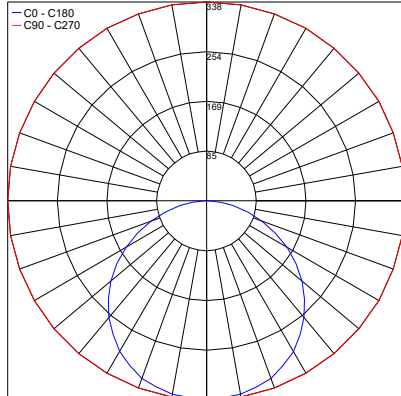
CAR-GO 1 300

Maximum Candela = 35.5



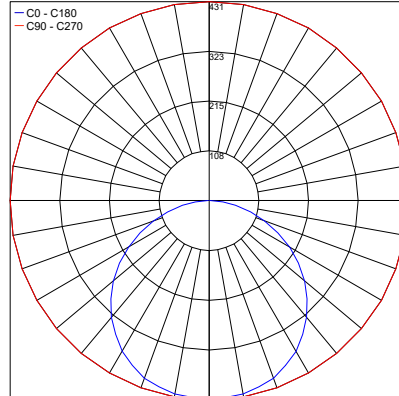
CAR-GO 1 600

Maximum Candela = 338.3



CAR-GO 1 900

Maximum Candela = 430.9



Job Name/Date:

Fixture Type Designation: