

# FOG S 80 • FOG S 125 • FOG S 200

## Recessed Wall or Ceiling

FOG S is an outdoor ceiling or wall fixture that comes in a recessed or surface-mounted versions with 3 sizes each offering resistance and longevity. The FOG S recessed wall or ceiling version has square body and comes in 5 different finishes with diffuse optics.



### TECHNICAL DATA

<b>Wattage</b>	5.5W, 10W, 22W
<b>Power Supply</b>	Remote 24VDC (FOG S 80) - See page 3 Remote 700mA (FOG S 125), 1050mA (FOG S 200)
<b>Construction</b>	Body: Die-Cast Aluminum Lens: Opal Tempered Glass
<b>CCT</b>	3000K (other colors on request)
<b>CRI</b>	>90
<b>Delivered Lumens</b>	205 lm (FOG S 80) 490 lm (FOG S 125) 942 lm (FOG S 200)
<b>Efficacy</b>	37 lm/W (FOG S 80) 49 lm/W (FOG S 125) 36 lm/W (FOG S 200)
<b>Optics</b>	Diffuse
<b>Finishes</b>	White
<b>Fixture Dimensions</b>	3.4" Sq. x 3.5" h (FOG S 80) 5.1" Sq. x 3.5" h (FOG S 125) 8.0" Sq. x 3.5" h (FOG S 200)
<b>Lumen Maintenance</b>	L80, B15>60,000hrs (Ta 40°C)
<b>Color Consistency</b>	3-Step MacAdam
<b>IP Rating</b>	IP67
<b>Impact Resistance</b>	IK10

Wall Photos & Fixture Dimensions  
See page 2

### ORDERING INFORMATION

Example: LNFG65ISODHBBZU.US. Power Supplies / Accessories ordered separately.

LNFG		D		U	US
<b>Model No.</b>	<b>Size</b>	<b>Optics</b>	<b>Power</b>	<b>Finish</b>	
LNFG	55 ISO - FOG S 80 65 ISO - FOG S 125 85 ISO - FOG S 200	D - Diffuse	HB7Z - Remote Driver (FOG 80) HBBZ - Remote Driver (FOG 125) HBEZ - Remote Driver (FOG 200)	U - White	US

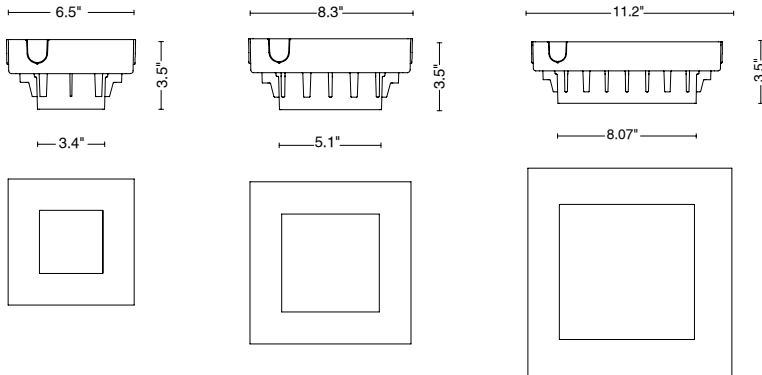
Job Name/Date:

Fixture Type Designation:

# FOG S 80 • FOG S 125 • FOG S 200

## Recessed Wall or Ceiling

### FIXTURE DIMENSIONS



### ACCESSORIES - Included

0.5 m (1.6') length cable -05RN-F - FOG S 80, FOG S 125, FOG S 200

Housing Box - FOG S 80, FOG S 125, FOG S 200

### ACCESSORIES - Optional

00KCGQ.04 - FOG S 80

00KCGQ.03 - FOG S 125

00KCGQ.02 - FOG S 200

Recessed Box Adjusting Kit

0303004 - FOG S 80

0303004 - FOG S 125

0303003 - FOG S 200

Glass Lifting Suction Pad

0404M011 - FOG S 80, FOG S 125,  
FOG S 200

Single Connection IP68

0404M019 - FOG S 80, FOG S 125,  
FOG S 200

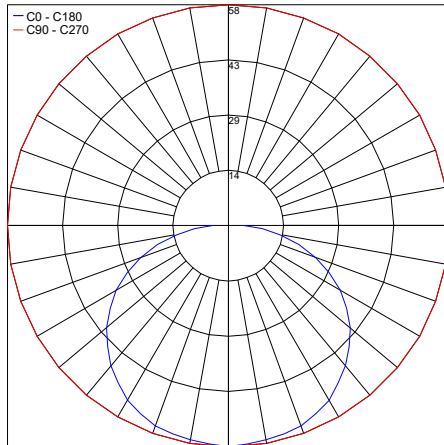
Three-way Connection Box Mini

### PHOTOMETRIC DATA

Note: All photometric data is 3000K

#### FOG S 80

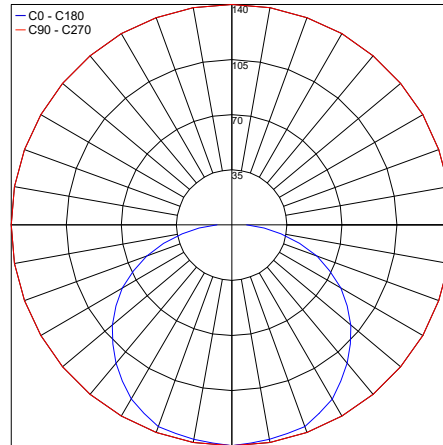
Maximum Candela = 57.9



PHOTOMETRIC FILENAME : FOG S 80 WALL RECESSED - FG65ISODHB7ZU.IES

#### FOG S 125

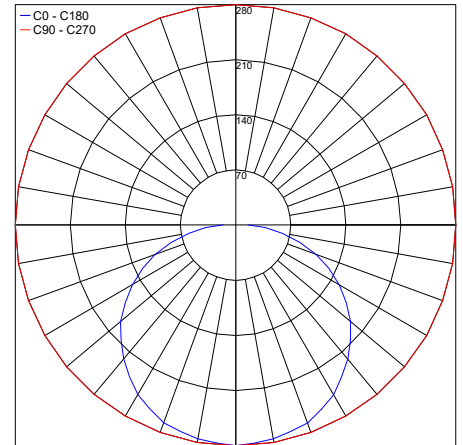
Maximum Candela = 140.2



PHOTOMETRIC FILENAME : FOG S 125 WALL RECESSED - FG65ISODHB10U.IES

#### FOG S 200

Maximum Candela = 279.9



PHOTOMETRIC FILENAME : FOG S 200 WALL RECESSED - FG65ISODHB10U.IES

Job Name/Date:

Fixture Type Designation:

## Recessed Wall or Ceiling

datasheet

### SUGGESTED POWER SUPPLIES

24VDC - FOG S 80 (5.5W)

Part Number	Description	Input/Output	# of Fixtures
<a href="#">PPLT00149</a>	Non-Dim	120VAC to 24VDC, 10W, Class 2, IP65	1-1
<a href="#">PPLT00632</a>	0-10V Dimming (Dim to Off)	120-277VAC to 24VDC, 12W, Class 2	1-1
<a href="#">PPLT00155</a>	Non-Dim	120VAC to 24VDC, 30W, Class 2	1-4
<a href="#">PPLT00599</a>	ELV / TRIAC & 0-10V Dimming (100 to 0%)	120-277VAC to 24VDC, 96W, Class 2	1-13
<a href="#">PPLT00158</a>	Non-Dim	120VAC to 24VDC, 100W, Class 2	1-14
<a href="#">PPLT00543</a>	0-10V Dimming to 15% (-40°C / -40°F cold weather start)	120-277VAC to 24VDC, 100W, Class 2	2-14

### Suggested Lutron Compatible - FOG S 80 (5.5W)

Part Number	Option	Lutron SKU	Dim Range	Description	Input/Output	# of Fixtures
<a href="#">PPLT00273</a>	L3DAE / L3DA3W	L3DA	100%-1%	Hi-Lume™ 1% EcoSystem™ or 1% 3-Wire LED Driver	120-277VAC to 24VDC, 40W, Class 2	1-5
<a href="#">PPLT00530</a>	L3DAE / L3DA3W	L3DA	100%-1%	Hi-Lume™ 1% EcoSystem™ or 1% 3-Wire LED Driver	120-277VAC to 24VDC, 96W, Class 2	1-13

700mA - FOG S 125 (10W)

Part Number	Description	Input/Output	# of Fixtures
<a href="#">PPLT00465-P</a>	0-10V Dimming to 1.0%	120-277VAC to 700mA, 20W, Class 2, DAMP	1-2
<a href="#">PPLT00308-P</a>	0-10V Dimming to 0.1%	120-277VAC to 700mA, 30W, Class 2, DAMP	1-2
<a href="#">PPLT00538-P</a>	0-10V Dimming to 0.1% (4 channels)	120-277VAC to 700mA, 100W, Class 2	1-2 (1-8)

### Suggested Lutron Compatible - FOG S 125 (10W)

Part Number	Option	Lutron SKU	Dim Range	Description	Input/Output	# of Fixtures
<a href="#">PPLT00635</a>	PEQ0P / PEQ0E	PEQ0	100%-0.1%	Hi-Lume™ Premier 0.1% or EcoSystem™ LED Driver	120/277VAC to 700mA, 20W, Class 2	1-1
<a href="#">PPLT00673</a>	PEQ0P / PEQ0E	PEQ0	100%-0.1%	Hi-Lume™ Premier 0.1% or EcoSystem™ LED Driver	120-277VAC to 700mA, 20W, Class 2	1-1
<a href="#">PPLT00517</a>	L3DAE / L3DA3W	L3DA	100%-1%	Hi-Lume™ 1% EcoSystem™ or 1% 3-Wire LED Driver	120-277VAC to 700mA, 27W, Class 2	1-1
<a href="#">PPLT00181</a>	L3DAE / L3DA3W	L3DA	100%-1%	Hi-Lume™ 1% EcoSystem™ or 1% 3-Wire LED Driver	120-277VAC to 700mA, 38W, Class 2	2-2

1050mA - FOG 200 (21W)

Part Number	Description	Input/Output	# of Fixtures
<a href="#">PPLT00308-P</a>	0-10V Dimming to 0.1%	120-277VAC to 1050mA, 30W, Class 2, DAMP	1-1
<a href="#">PPLT00467-P</a>	0-10V Dimming to 1.0%	120-277VAC to 1050mA, 50W, Class 2, DAMP	1-2
<a href="#">PPLT00538-P</a>	0-10V Dimming to 0.1% (4 channels)	120-277VAC to 1050mA, 100W, Class 2	1-1 (1-4)

### Suggested Lutron Compatible - FOG 200 (22W)

Part Number	Option	Lutron SKU	Dim Range	Description	Input/Output	# of Fixtures
<a href="#">PPLT00621</a>	L3DAE / L3DA3W	L3DA	100%-1%	Hi-Lume™ 1% EcoSystem™ or 1% 3-Wire LED Driver	120-277VAC to 1050mA, 40W, Class 2	1-1

For other power supply options consult factory.

Job Name/Date:

Fixture Type Designation: