

FOG S 80 • FOG S 125 • FOG S 200

Surface Wall or Ceiling

FOG S is an outdoor ceiling or wall fixture that comes in a recessed or surface-mounted versions with 3 sizes each offering resistance and longevity. The FOG S surface-mounted wall or ceiling version has square body and comes in 5 different finishes with diffuse optics.



TECHNICAL DATA

Wattage	5.5W, 10W, 22W
Power Supply	Remote 24VDC (FOG S 80) - See page 3 Remote 700mA (FOG S 125), 1050mA (FOG S 200)
Construction	Body: Die-Cast Aluminum Lens: Opal Tempered Glass
CCT	3000K (other colors on request)
CRI	>90
Delivered Lumens	205 lm (FOG S 80) 490 lm (FOG S 125) 942 lm (FOG S 200)
Efficacy	37 lm/W (FOG S 80) 49 lm/W (FOG S 125) 36 lm/W (FOG S 200)
Optics	Diffuse
Finishes	5 Standard, See Below
Fixture Dimensions	3.2" Sq. x 2.0" h (FOG S 80) 5.0" Sq. x 3.0" h (FOG S 125) 8.0" Sq. x 4.8" h (FOG S 200)
Lumen Maintenance	L80, B15>60,000hrs (Ta 40°C)
Color Consistency	3-Step MacAdam
IP Rating	IP67
Impact Resistance	IK10

Wall Photos & Fixture Dimensions
See page 2

ORDERING INFORMATION

Example: LNFG65POSDHBBZL.US. Power Supplies / Accessories ordered separately.

LNFG		D			US
Model No.	Size	Optics	Power	Finish	
LNFG	55 POS - FOG S 80 65 POS - FOG S 125 85 POS - FOG S 200	D - Diffuse	HB7Z - Remote Driver (FOG 80) HBBZ - Remote Driver (FOG 125) HBEZ - Remote Driver (FOG 200)	L - Graphite V - Oxide U - White G - Black H - Gray	US

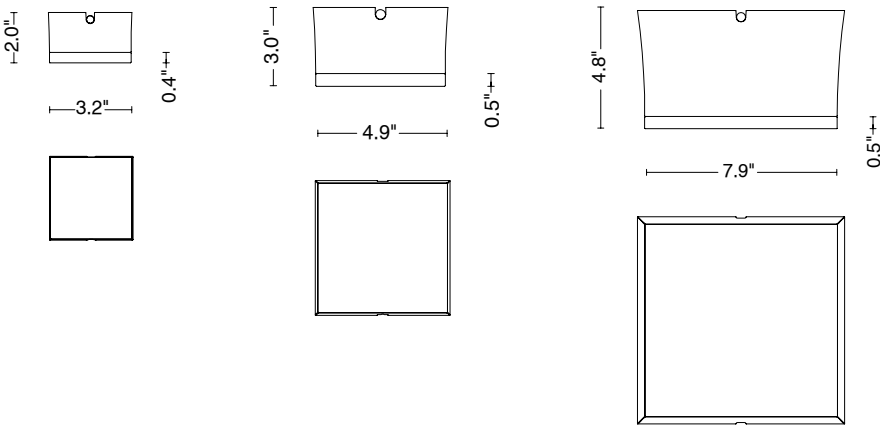
Job Name/Date:

Fixture Type Designation:

FOG S 80 • FOG S 125 • FOG S 200

Surface Wall or Ceiling

FIXTURE DIMENSIONS



ACCESSORIES - Included

0.5 m (1.6') length cable -05RN-F - FOG S 80, FOG S 125, FOG S 200

Housing Box - FOG S 80, FOG S 125, FOG S 200

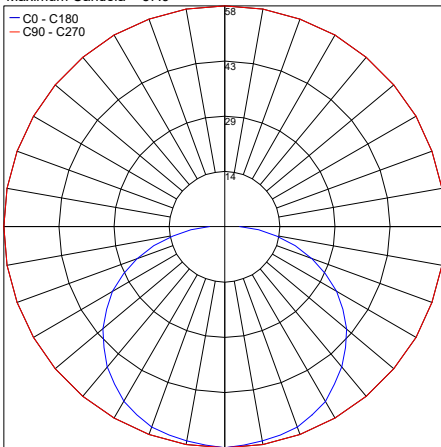
PHOTOMETRIC DATA

Note: All photometric data is 3000K

FOG S 80

Maximum Candela = 57.9

— C0 - C180
— C90 - C270

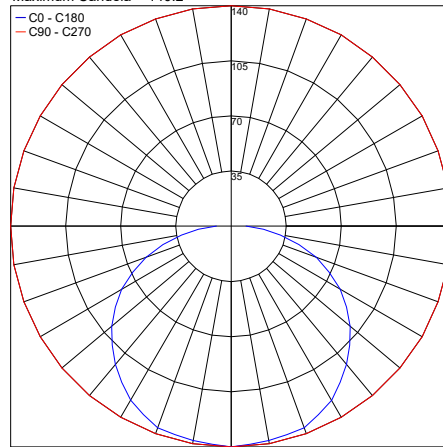


PHOTOMETRIC FILENAME : FOG S 80 CEILING - FG55SODHB7ZU.IES

FOG S 125

Maximum Candela = 140.2

— C0 - C180
— C90 - C270

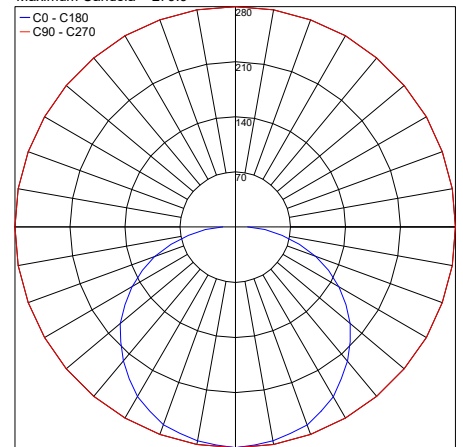


PHOTOMETRIC FILENAME : FOG S 125 CEILING - FG65SODHB10U.IES

FOG S 200

Maximum Candela = 279.9

— C0 - C180
— C90 - C270



PHOTOMETRIC FILENAME : FOG S 200 CEILING - FG85SODHB10U.LDT

Job Name/Date:

Fixture Type Designation:

Surface Wall or Ceiling

datasheet

SUGGESTED POWER SUPPLIES

24VDC - FOG S 80 (5.5W)

Part Number	Description	Input/Output	# of Fixtures
PPLT00149	Non-Dim	120VAC to 24VDC, 10W, Class 2, IP65	1-1
PPLT00632	0-10V Dimming (Dim to Off)	120-277VAC to 24VDC, 12W, Class 2	1-1
PPLT00155	Non-Dim	120VAC to 24VDC, 30W, Class 2	1-4
PPLT00599	ELV / TRIAC & 0-10V Dimming (100 to 0%)	120-277VAC to 24VDC, 96W, Class 2	1-13
PPLT00158	Non-Dim	120VAC to 24VDC, 100W, Class 2	1-14
PPLT00543	0-10V Dimming to 15% (-40°C / -40°F cold weather start)	120-277VAC to 24VDC, 100W, Class 2	2-14

Suggested Lutron Compatible - FOG S 80 (5.5W)

Part Number	Option	Lutron SKU	Dim Range	Description	Input/Output	# of Fixtures
PPLT00273	L3DAE / L3DA3W	L3DA	100%-1%	Hi-Lume™ 1% EcoSystem™ or 1% 3-Wire LED Driver	120-277VAC to 24VDC, 40W, Class 2	1-5
PPLT00530	L3DAE / L3DA3W	L3DA	100%-1%	Hi-Lume™ 1% EcoSystem™ or 1% 3-Wire LED Driver	120-277VAC to 24VDC, 96W, Class 2	1-13

700mA - FOG S 125 (10W)

Part Number	Description	Input/Output	# of Fixtures
PPLT00465-P	0-10V Dimming to 1.0%	120-277VAC to 700mA, 20W, Class 2, DAMP	1-2
PPLT00308-P	0-10V Dimming to 0.1%	120-277VAC to 700mA, 30W, Class 2, DAMP	1-2
PPLT00538-P	0-10V Dimming to 0.1% (4 channels)	120-277VAC to 700mA, 100W, Class 2	1-2 (1-8)

Suggested Lutron Compatible - FOG S 125 (10W)

Part Number	Option	Lutron SKU	Dim Range	Description	Input/Output	# of Fixtures
PPLT00635	PEQ0P / PEQ0E	PEQ0	100%-0.1%	Hi-Lume™ Premier 0.1% or EcoSystem™ LED Driver	120/277VAC to 700mA, 20W, Class 2	1-1
PPLT00673	PEQ0P / PEQ0E	PEQ0	100%-0.1%	Hi-Lume™ Premier 0.1% or EcoSystem™ LED Driver	120-277VAC to 700mA, 20W, Class 2	1-1
PPLT00517	L3DAE / L3DA3W	L3DA	100%-1%	Hi-Lume™ 1% EcoSystem™ or 1% 3-Wire LED Driver	120-277VAC to 700mA, 27W, Class 2	1-1
PPLT00181	L3DAE / L3DA3W	L3DA	100%-1%	Hi-Lume™ 1% EcoSystem™ or 1% 3-Wire LED Driver	120-277VAC to 700mA, 38W, Class 2	2-2

1050mA - FOG 200 (21W)

Part Number	Description	Input/Output	# of Fixtures
PPLT00308-P	0-10V Dimming to 0.1%	120-277VAC to 1050mA, 30W, Class 2, DAMP	1-1
PPLT00467-P	0-10V Dimming to 1.0%	120-277VAC to 1050mA, 50W, Class 2, DAMP	1-2
PPLT00538-P	0-10V Dimming to 0.1% (4 channels)	120-277VAC to 1050mA, 100W, Class 2	1-1 (1-4)

Suggested Lutron Compatible - FOG 200 (22W)

Part Number	Option	Lutron SKU	Dim Range	Description	Input/Output	# of Fixtures
PPLT00621	L3DAE / L3DA3W	L3DA	100%-1%	Hi-Lume™ 1% EcoSystem™ or 1% 3-Wire LED Driver	120-277VAC to 1050mA, 40W, Class 2	1-1

For other power supply options consult factory.

Job Name/Date:

Fixture Type Designation: