



## LED spotlight C1-mini-HC-VL

**description:** LED spotlight for installation on magnetic track, 180° rotatable, 90° swiveling, attachment with mounting flange

**housing color:**

aluminum anodized black, silver, gold  
(other surface finishing on request)

**optics:**

8°, 15°, 18°, 26°, 30°, 45°, 80°, 47°+25°, 40°+10°

**light color (+/- 100K):**

2700K, 3000K, 3500K, 4000K, 5700K

**high power LED, high CRI** DIN EN 55015:2013,

lifetime 50,000 hours | basis of lifetime L80B10

**protection class:** IP20, UL Listed - low voltage LED luminaire

**max. luminous flux (3000K | standard lens 30°):**

40lm at 0.5 W (80 lm/W)

60lm at 1.0 W (60 lm/W)

110lm at 2.0 W (55 lm/W)

**power input:** 12VDC constant voltage

**allowed LED driver:**

power supply of LPF, LPV, NPF or APV series

by MeanWell with constant voltage 12VDC

(other power supplies on request)

**dimming:** see drivers

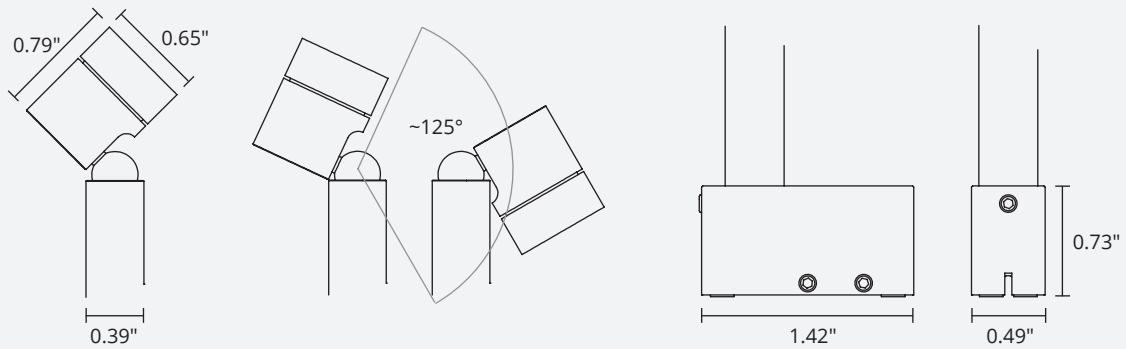
**accessory:** magnetic track

**optional accessory:** magnetic track holders,

honeycomb grid, anti-glare tube, inclined tube, snoot (8°),

light diffusion foil, barn door, zoom optic (9°-33°)

## dimensions

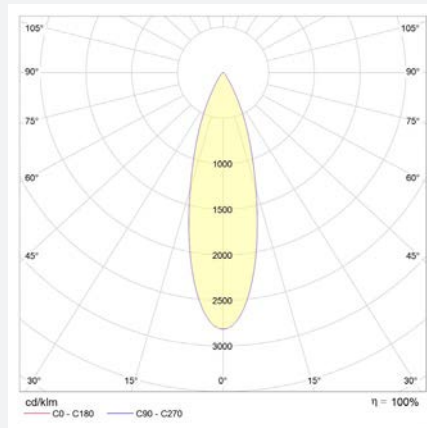
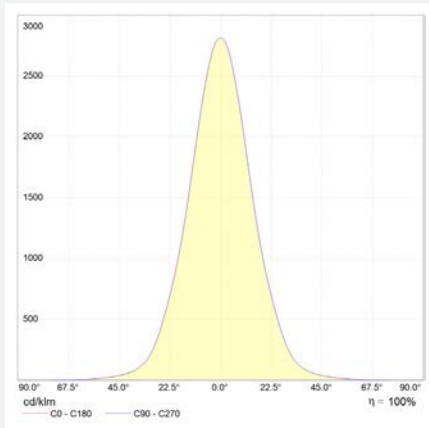


Pole height should not exceed 7.87" (200 mm)

specification in inches

## photometry

for light color 3000K | standard lens 30° | color rendering index typ. 97, R9 > 90, R12 > 90 | color variation ≤ 3 SDCM



## Sensor area

The sensor is located above the middle one screw on the lamp base.

## Dimming

Place the dimming pen in the sensor area. The dimming process stops by removing the pen. When the dimming pen is attached again, the dimming direction is changed. Your set dimming is automatically saved after approx. 5 - 10 seconds.

The dimming range is flicker-free adjustable from 100% to 10% in 256 steps. The spotlight is set to 100% at initial start-up.



technical changes reserved | May 2021