

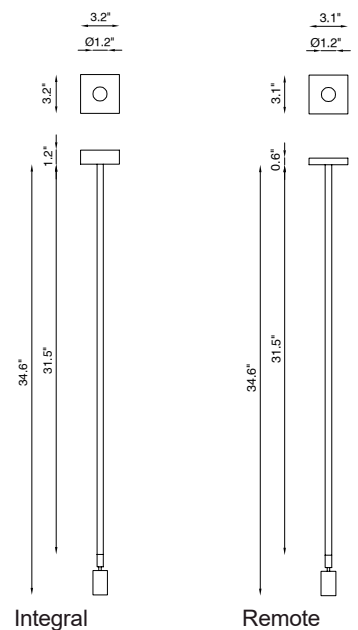
M1 is a suspended indoor monopoint suitable for installation on ceilings. It is suspended on a pole with the floodlight being adjustable up to 360°, which allows the luminescent beam to be directed towards details within the space. Available in 22° or 50° optics and 2 standard finishes.



## TECHNICAL DATA

<b>Wattage / Input</b>	6W (500mA)
<b>Power Supply</b>	Remote, not included. See page 2.
<b>Construction</b>	Body: Aluminum
<b>CCT</b>	3000K (2700K, 4000K on request)
<b>CRI</b>	>90
<b>BUG Rating</b>	B1-U1-G0 (22°, 3000K)
<b>Delivered Lumens</b>	452 lm (3000K)
<b>Efficacy</b>	75.3 lm/W
<b>Optics</b>	22°, 50°
<b>Finishes</b>	White or Black
<b>Fixture Dimensions</b>	34.6" l x Ø1.2" - Mount Box 3.1" Sq. (Remote)
<b>Fixture Weight</b>	1.65 lbs
<b>IP Rating</b>	IP40

Fixture Dimensions



## ORDERING INFORMATION

Example: BU1502.BL.2S.22.E.30.WD.US. Power Supplies ordered separately.

BU1502		2S		E		WD	US
<b>Model No.</b>	<b>Finish</b>		<b>Optics</b>		<b>CCT</b>	<b>Power Version</b>	
BU1502 - Remote Version	WH - White BL - Black	2S	22 - 22° 50 - 50°	E	27 - 2700K 30 - 3000K 40 - 4000K	WD - Remote	US

Job Name/Date:

Fixture Type Designation:

## SUGGESTED POWER SUPPLIES

500mA

Part Number	Description	Input/Output	# of Fixtures
<a href="#">PPLT00466-P</a>	0-10V Dimming to 1.0%	120-277VAC to 500mA, 10W, Class 2	1-1
<a href="#">PPLT00469</a>	Phase Dim (120V only)	120VAC to 500mA, 14W, Class 2	2-2
<a href="#">PPLT00308-P</a>	0-10V Dimming to 0.1%	120-277VAC to 500mA, 30W, Class 2, DAMP	1-4
<a href="#">PPLT00538-P</a>	0-10V Dimming to 0.1% (4 channels)	120-277VAC to 500mA, 100W, Class 2	1-4 (1-16)

## Suggested Lutron Compatible

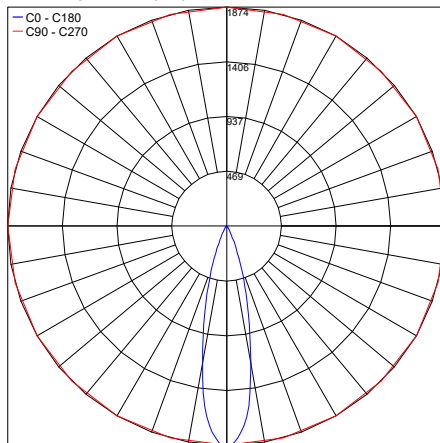
Part Number	Option	Lutron SKU	Dim Range	Description	Input/Output	# of Fixtures
<a href="#">PPLT00195</a>	L3DAE / L3DA3W	L3DA	100%-1%	Hi-Lume™ 1% EcoSystem™ or 1% 3-Wire LED Driver	120-277VAC to 500mA , 19W, Class 2	1-1
<a href="#">PPLT00676</a>	PEQ0E	PEQ0	100%-0.1%	Hi-Lume™ Premier 0.1% EcoSystem™ LED Driver	120-277VAC to 500mA , 20W, Class 2	2-3
<a href="#">PPLT00180</a>	L3DAE / L3DA3W	L3DA	100%-1%	Hi-Lume™ 1% EcoSystem™ or 1% 3-Wire LED Driver	120-277VAC to 500mA , 27W, Class 2	4-4

For other power supply options consult factory.

## PHOTOMETRIC DATA

Note all Photometry is 3000K

Maximum Candela = 1874.3



PHOTOMETRIC FILENAME : M1 - BU1501XX2230.IES

Job Name/Date:

Fixture Type Designation: