



**INSTRUCTIONS PERTAINING TO RISK OF FIRE OR INJURY TO PERSONS. READ ALL INSTRUCTIONS. IMPORTANT SAFETY INSTRUCTIONS. SAVE THESE INSTRUCTIONS.**

**DANGER - RISK OF SHOCK - DISCONNECT POWER BEFORE INSTALLATION! Please read all instructions before installation.**

- Keep these instructions for future reference.
- Must be installed by a qualified electrician in accordance with national and local standards. Designplan is not responsible for fixtures installed without regard to these standards.
- Unauthorized alterations or tampering of product voids warranty.
- The main power connection must be in accordance with local electrical codes.
- Suitable for OUTDOOR applications.



**IP65**

## Electrical Connections:

- LED lights must be **connected in parallel** respecting polarities.
- **CHOOSE POWER SUPPLY ACCORDINGLY.** Please consider the voltage through which fixtures are fed as well as the max power consumption.
- **Connect power only if all the fixtures are connected.**
- The power supplies **MUST** be installed in aerated rooms, far from heat sources. Overworking or lack of air circulation will not permit natural dissipation.
- Use only Class 2 type electronic power supply.
- Never use switches on secondary circuit.

**ATTENTION:** For In-Grade - It is the contractor's responsibility to seal the conduit with "Great Stuff" aerosol seal that prevents water and moisture penetration for ultimate protection. Contractor **MUST** use gel-filled wire nuts.

## Maintenance

Scheduled maintenance must be carried out once a year on all lighting devices, regardless of appliance class and type of use. It must include the following operations:

- Periodically clean fixtures to remove dirt from gratings and screw heads.
- Check tightness of screws on various parts of the device.
- Check that all cable glands and cables are intact and tight. Check that the glass or plastic lens is intact, and replace it if broken or damaged.
- The internal components such as the ballast, driver, washers and screws must not show clear signs of oxidation or rust. Clear traces of rust and oxidation will indicate the presence of water inside the device.
- In the case of damage, the components must be replaced by original components or spare parts.

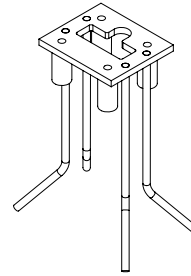
# KLEE (MOUNTING BASE ASSEMBLY)

14W, INTEGRAL 120VAC / REMOTE 120-277VAC

## Mounting Base

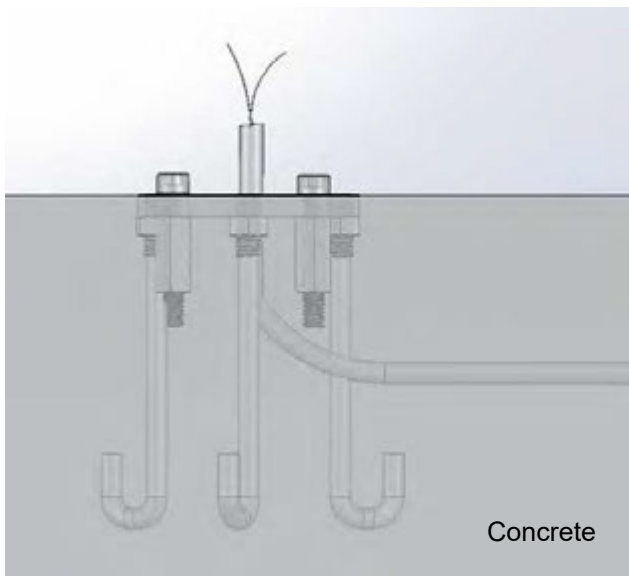


AM-00008  
(short version)



AM-00010  
(tall version)

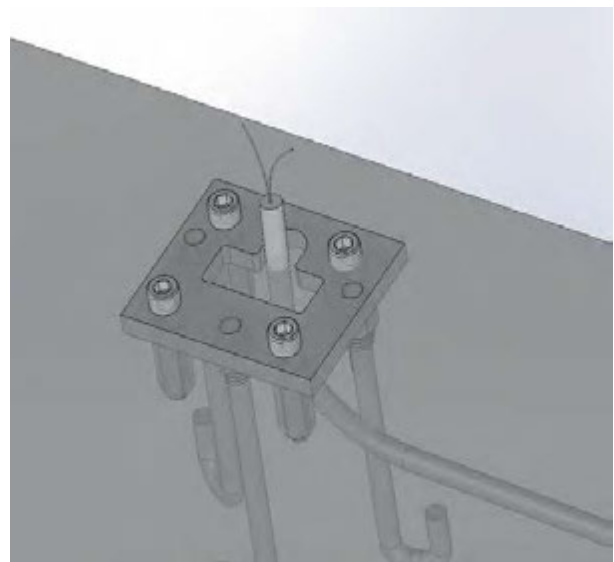
## Concrete Installation



Grade  
Level

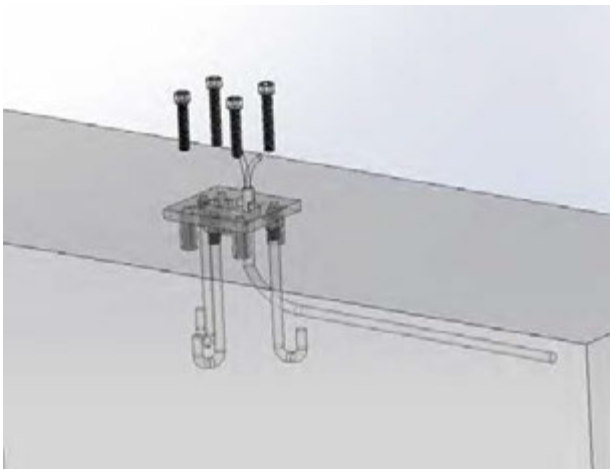
Concrete

- 1/4-20 bolts and hex couplings are to be installed in the concrete as shown.
- Ensure that the Klee base plate is leveled and flush with concrete surface.



Mounting Base Assembly  
installed in Concrete

- Once concrete is cured, remove the (4) 1/4-20 x 1.25" screws



# KLEE (MOUNTING BASE ASSEMBLY)

## Klee Fixture and Mounting Base Assembly Installation

installation instructions

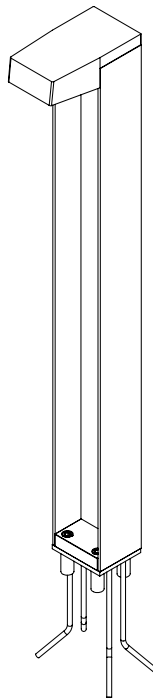
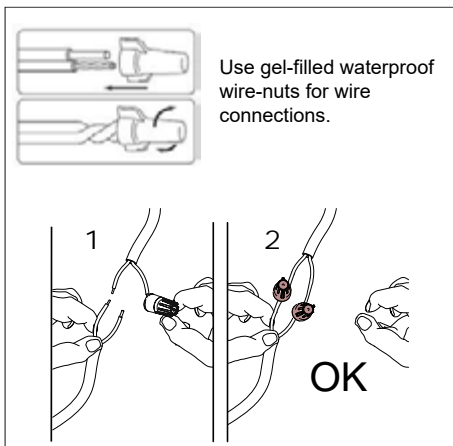


Klee base assembled onto mounting base assembly (Concrete not shown)

- Assemble together components as shown, starting with the Klee base.
- Make proper wiring connections and slide through the middle hole in the back of the base and through the mounting base assembly as shown.
- Screw in (2) 1/4-20 x 1.5" screws through the back of the Klee base as well as through the Klee mounting base assembly as shown.
- Once back screws are screwed in, screw in (2) 1/4-20 x 1.25" screws through the front of the Klee base as well as through the Klee mounting base assembly as shown.



Klee Fixture + Mounting Base Assembly (Concrete not shown)



- Once all of the wiring connections are made and the Klee base is assembled onto the mounting base assembly, slide the Klee body through the Klee base assembly as shown.
- Screw in the (2) 8-32 x 1/2" flat head screws in the back to secure the fixture body to the base.

# KLEE (MOUNTING BASE ASSEMBLY)

14W, INTEGRAL 120VAC / REMOTE 120-277VAC

installation instructions

- It is the contractor's responsibility to install Remote Driver in a suitable electrical enclosure.
- It is the contractor's responsibility to caulk around the edges between the fixture and the mounting surface, to satisfy wet label requirements.

## Klee Fixture 0-10V Dimming \_ Wire Connection



To Power  
Black- Line (120V)  
White - Neutral  
Green- Ground

0-10V Dimming Leads  
Purple (+)  
Yellow (-)