

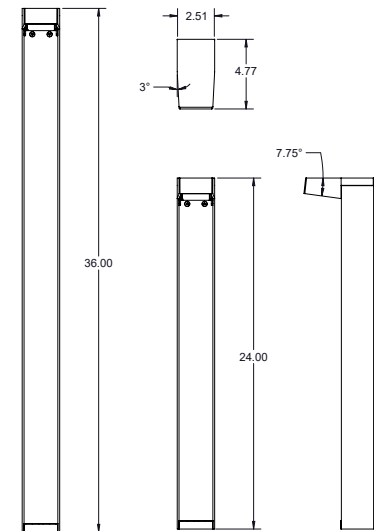
Klee is an outdoor LED bollard offered in 2 heights - 2-foot or 3-foot - and is offered in static white with 5 standard finishes and 3 optic options. Dark Sky compliant.



TECHNICAL DATA

Wattage	14W
Power Supply	Integral 120VAC Remote 120-277VAC (Consult Factory)
Dimming	0-10V Dimming
Construction	Body: Aluminum Lens: Clear
CCT	2700K, 3000K, 4000K
BUG Rating	B0-U0-G1 (Type IV Short) B0-U0-G0 (Type III Very Short)
CRI	>80
Delivered Lumens	1189 lm (Optic 1 - Type IV Short) 1025 lm (Optic 2 - Type III Very Short) 1208 lm (Optic 3 - Type III Very Short Asymmetric) Dark Sky Compliant
Efficacy	84.9 lm/W (Optic 1 - Type IV Short) 73.2 lm/W (Optic 2 - Type III Very Short) 86.3 lm/W (Optic 3 - Type III Very Short Asymmetric)
Optics	3 Options - See Below
Finishes	5 Standard, Custom RAL on request
Fixture Dimensions	Head: 2.51" w x 4.77" l x 24.0" or 36.0" h
IP Rating	IP65

Fixture Dimensions



ORDERING INFORMATION

Example: **KLE-L-2-40-02-C-0**. Accessories ordered separately.

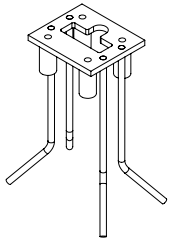
KLE-L	-		-		-		-	C	-	0
-------	---	--	---	--	---	--	---	---	---	---

Model #	Height	CCT	Optics	Finish	Dimming	Options
KLE-L	2 - 2 ft. 3 - 3 ft.	27 - 2700K 30 - 3000K 40 - 4000K	01 - Type IV Short 02 - Type III Very Short 03 - Type III Very Short Asymmetric	11 - White Suede 02 - Black Suede 03 - Gray 18 - Tex. Bronze TS - Silver C - Custom	C - Integral 120VAC - 0-10V Dimming, For Static White Only	0 - None

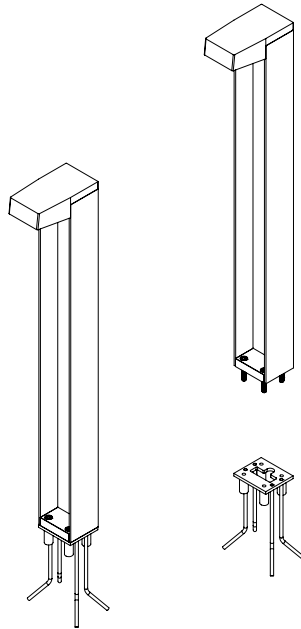
Job Name/Date:

Fixture Type Designation:

ACCESSORIES - Installation



AM-0010
Mounting Base
Assembly

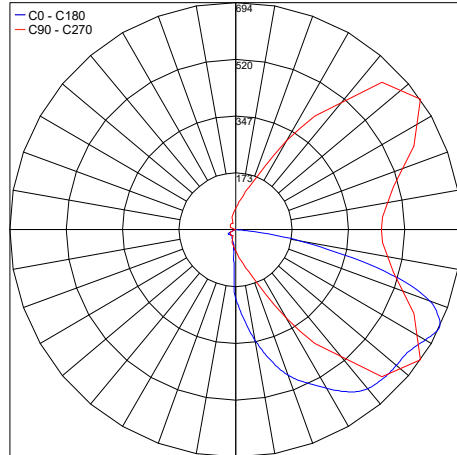


PHOTOMETRIC DATA

Note: all photometry is 3000K

OPTIC 1 - Type IV Short

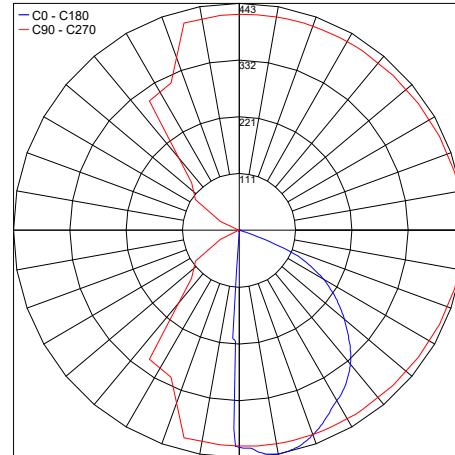
Maximum Candela = 693.8



PHOTOMETRIC FILENAME : KLEE 2FT 30K BLK OPTIC 1 - LLIA002333-001.IES

OPTIC 2 - Type III Very Short

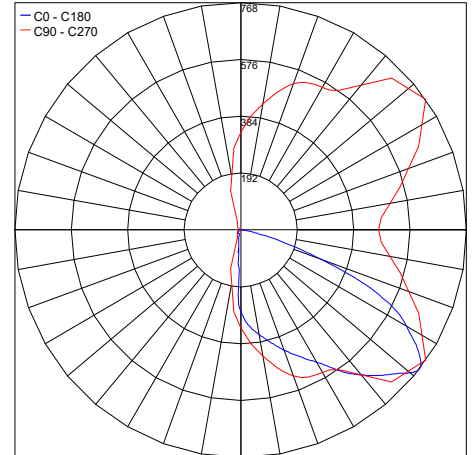
Maximum Candela = 442.5



PHOTOMETRIC FILENAME : KLEE 2FT 30K BLK OPTIC 2 - LLIA002333-002.IES

OPTIC 3 - Type III Very Short Asymmetric

Maximum Candela = 767.7



PHOTOMETRIC FILENAME : KLEE 2FT 30K BLK OPTIC 3 - LLIA002333-003.IES

Job Name/Date:

Fixture Type Designation: