

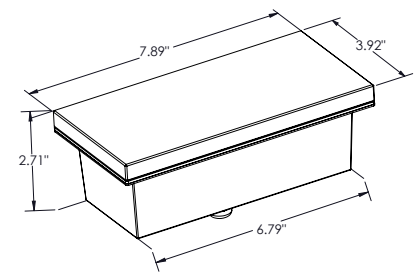
PAVER is an square in-grade uplight that is ideal for accent and pathway lighting. It is available in static white or RGB, is driverover rated up to 11,000 lb, and versatile for indoor or outdoor applications as it can also be used also as a wall mount.



## TECHNICAL DATA

<b>Wattage / Input</b>	4W (24VDC)
<b>Power Supply</b>	Remote, not included. See page 2.
<b>Construction</b>	Body: Stainless Steel Lens: Sandblasted Extra-clear Glass Cable Length: 4.9' standard
<b>CCT</b>	2700K, 3000K, 4000K, RGB
<b>CRI</b>	>80
<b>Delivered Lumen</b>	Coming Soon
<b>Efficacy</b>	Coming Soon
<b>Optics</b>	Diffused
<b>Finishes</b>	Stainless Steel
<b>Fixture Dimensions</b>	7.9" l x 3.9" w
<b>LED Source</b>	1 Power LED
<b>IP Rating</b>	IP69
<b>IK Rating</b>	IK10
<b>Driveover</b>	11,000 lb capacity

Fixture Dimensions



## ORDERING INFORMATION

*Example: PAV-L-5-D-V. Required Accessories / Power Supplies ordered separately.*

PAV-L		D	V	
Model No.	CCT	Optics	Finish	Cable Length
PAV-L	F - 2700K 5 - 3000K 9 - 4000K R - RGB	D - Diffused	V - Glass	4.92' standard 1 - 16.40' 2 - 32.81' 3 - 49.21' 4 - 65.62'

Job Name/Date:

Fixture Type Designation:

**SUGGESTED POWER SUPPLIES**

24VDC

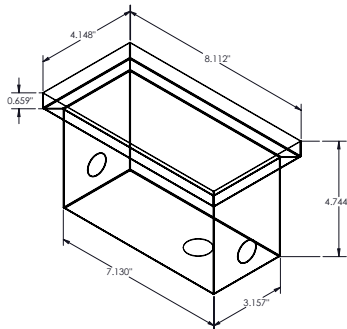
Part Number	Description	Input/Output	# of Fixtures
<a href="#">PPLT00128</a>	MAGTECH Non-Dim	120VAC to 24VDC, 6W, Class 2, IP65	1-1
<a href="#">PPLT00632</a>	0-10V Dimming (Dim to Off)	120-277VAC to 24VDC, 12W, Class 2	1-2
<a href="#">PPLT00680</a>	ELV / TRIAC & 0-10V Dimming (100 to 0%)	120-277VAC to 24VDC, 20W, Class 2, IP66	1-4
<a href="#">PPLT00586</a>	Non-Dim	120-277VAC to 24VDC, 40W, Class 2	1-8
<a href="#">PPLT00543</a>	0-10V Dimming to 15% (-40°C / -40°F cold weather start)	120-277VAC to 24VDC, 100W, Class 2	1-20

**Suggested Lutron Compatible**

Part Number	Option	Lutron SKU	Dim Range	Description	Input/Output	# of Fixtures
<a href="#">PPLT00273</a>	L3DAE / L3DA3W	L3DA	100%-1%	Hi-Lume™ 1% EcoSystem™ or 1% 3-Wire LED Driver	120-277VAC to 24VDC, 40W, Class 2	1-8
<a href="#">PPLT00530</a>	L3DAE / L3DA3W	L3DA	100%-1%	Hi-Lume™ 1% EcoSystem™ or 1% 3-Wire LED Driver	120-277VAC to 24VDC , 96W, Class 2	1-19

For other power supply options consult factory.

**REQUIRED ACCESSORIES - Installation**



**PPMP03334**

Outer Casing - **REQUIRED**

Job Name/Date:

Fixture Type Designation: