

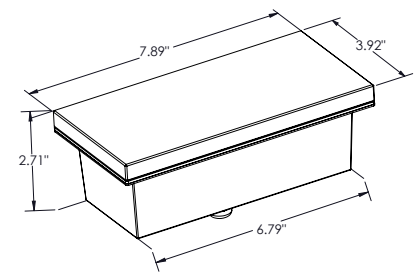
PAVER is an square in-grade uplight that is ideal for accent and pathway lighting. It is available in static white or RGB, is driverover rated up to 11,000 lb, and versatile for indoor or outdoor applications as it can also be used also as a wall mount.



TECHNICAL DATA

Wattage / Input	4W (24VDC)
Power Supply	Remote, not included. See page 2.
Construction	Body: Stainless Steel Lens: Sandblasted Extra-clear Glass Cable Length: 4.9' standard
CCT	2700K, 3000K, 4000K, RGB
CRI	>80
Delivered Lumen	Coming Soon
Efficacy	Coming Soon
Optics	Diffused
Finishes	Stainless Steel
Fixture Dimensions	7.9" l x 3.9" w
LED Source	1 Power LED
IP Rating	IP69
IK Rating	IK10
Driveover	11,000 lb capacity

Fixture Dimensions



ORDERING INFORMATION

Example: PAV-L-5-D-V. Required Accessories / Power Supplies ordered separately.

PAV-L		D	V	
Model No.	CCT	Optics	Finish	Cable Length
PAV-L	F - 2700K 5 - 3000K 9 - 4000K R - RGB	D - Diffused	V - Glass	4.92' standard 1 - 16.40' 2 - 32.81' 3 - 49.21' 4 - 65.62'

Job Name/Date:

Fixture Type Designation:

SUGGESTED POWER SUPPLIES

24VDC

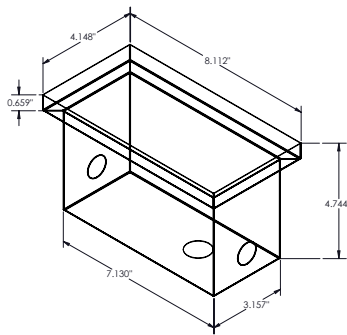
Part Number	Description	Input/Output	# of Fixtures
PPLT00128	MAGTECH Non-Dim	120VAC to 24VDC, 6W, Class 2, IP65	1-1
PPLT00632	0-10V Dimming (Dim to Off)	120-277VAC to 24VDC, 12W, Class 2	1-2
PPLT00680	ELV / TRIAC & 0-10V Dimming (100 to 0%)	120-277VAC to 24VDC, 20W, Class 2, IP66	1-4
PPLT00586	Non-Dim	120-277VAC to 24VDC, 40W, Class 2	1-8
PPLT00709	ELV / TRIAC & 0-10V Dimming	120-277VAC to 24VDC, 96W, Class 2, DAMP	1-19
PPLT00543	0-10V Dimming to 15% (-40°C / -40°F cold weather start)	120-277VAC to 24VDC, 100W, Class 2	1-20

Suggested Lutron Compatible

Part Number	Option	Lutron SKU	Dim Range	Description	Input/Output	# of Fixtures
PPLT00273	L3DAE / L3DA3W	L3DA	100%-1%	Hi-Lume™ 1% EcoSystem™ or 1% 3-Wire LED Driver	120-277VAC to 24VDC, 40W, Class 2	1-8
PPLT00530	L3DAE / L3DA3W	L3DA	100%-1%	Hi-Lume™ 1% EcoSystem™ or 1% 3-Wire LED Driver	120-277VAC to 24VDC, 96W, Class 2	1-19

For other power supply options consult factory.

REQUIRED ACCESSORIES - Installation



PPMP03334

Outer Casing - **REQUIRED**

Job Name/Date:

Fixture Type Designation: