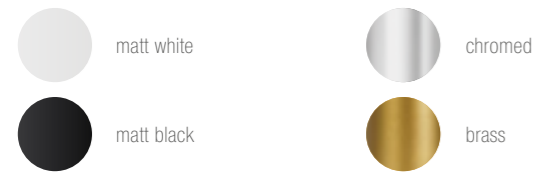


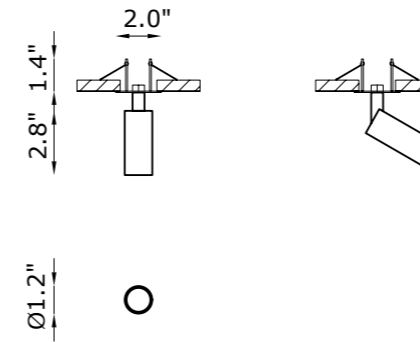
# Y1D



## RECESSED TILL END POSITION.

Y1D is a cylindrical projector for indoor environments, suitable for ceiling or wall installations, with small dimensions for minimum visual impact of the light source.

It is produced with a white or opaque black finish with interchangeable optics. Y1D is fitted with a 360 degrees-adjustable arm system, with invisible joints. Its light output can valorize environments with linearity and elegance and, thanks to the recessed light source it reduces the glaring effect, for maximum visual comfort.



## CODE COMPOSITION

BU1053	4	R	E	WD	
					<i>light color</i>
				27	2700K
				30	3000K
				40	4000K
					<i>lens</i>
				22	22°
				50	50°
					<i>finishing</i>
				WH	white
				BL	black
				CP	chromed
				BR	brass

example of code composition BU1053 WH 4 R 22 E 27 WD

## TECHNICAL FEATURES

Code	BU1053 XX
Type	Projector ± 360° / ± 90° 
Material	Aluminum
Finishing	White   Black   Chromed   Brass
Weight	0.9 lbs
Mounting	Wall and ceiling
IP rating	IP40
Control gear	Constant current electronic driver (not included)
Cut out for plasterboard	Ø 1.6"
Lamp type	LED 700 mA Vf: 11.5 VDC
Lamp wattage	1 x 8W
Luminous efficacy	800 lm - 3000K
Light distribution	Beam 22° Beam 50° (on request)
Fitting	-
Light color	White 3000K White 2700K   4000K (on request)
Voltage connection	By driver
CRI	>90
Emergency	On request
Note	Black tige and roof plate for Y1D chromed and brass.



79 Trenton Avenue  
Frenchtown, NJ 08825

www.designplan.com

Tel: (908) 996-7710  
Fax: (908) 996-7042