

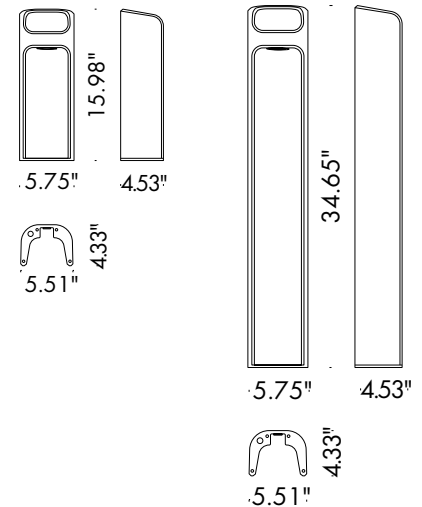
ELK is a sturdy, concrete LED fixture that comes as a bollard or wall mounted design, suitable for outdoor installation using an effective ground or wall fixing system. It is available in 3 color temperatures, an anthracite or natural concrete finish and mono light emission. Also available as a wall mount.



TECHNICAL DATA

Wattage	5.5W
Power Supply	Remote 500mA, not included. See page 2.
Construction	Body: Portland Concrete Fixing Base: Stainless Steel Lens: Extra Clear Tempered Glass
CCT	2700K, 3000K, 4000K
BUG Rating	B0-U2-G0 (3000K)
CRI	>80
Delivered Lumens	190 lm (3000K)
Efficacy	34.5 lm/W
Optics	Diffuse
Finishes	Natural or Anthracite Concrete
Lumen Maintenance	40,000 hrs (Ta 35°C)
Fixture Dimensions	5.57" x 4.53" x 15.98" or 34.65" h
IP Rating	IP66
Impact Resistance	IK08

Fixture Dimensions



ORDERING INFORMATION

Example: F61501.B.3.64.US. Power Supplies ordered separately.

			64	.US
Model No.	Finish	CCT	Optics	
F61501 - Bollard 400 (15.8")	A - Natural Concrete	2 - 2700K	64 - Monoemission Diffuse	.US
F61502 - Bollard 900 (35.4")	B - Anthracite Concrete	3 - 3000K		
		4 - 4000K		

Job Name/Date:

Fixture Type Designation:

SUGGESTED POWER SUPPLIES

500mA

Part Number	Description	Input/Output	# of Fixtures
PPLT00466-P	0-10V Dimming (to 1.0%)	120VAC to 500mA, 10W, Class 2, DAMP	1-2
PPLT00497	Phase Dim (120V only)	120VAC to 500mA, 12W, Class 2, DAMP	1-3
PPLT00262	Leading / Trailing Edge Dimmable to 10% (120V only)	120-277VAC to 500mA, 32W, Class 2	4-7
PPLT00309-P	0-10V Dimming to 0.1%	120-277VAC to 500mA, 50W, Class 2, DAMP	1-8
PPLT00538-P	0-10V Dimming to 0.1%	120-277VAC to 500mA, 100W, Class 2	1-24

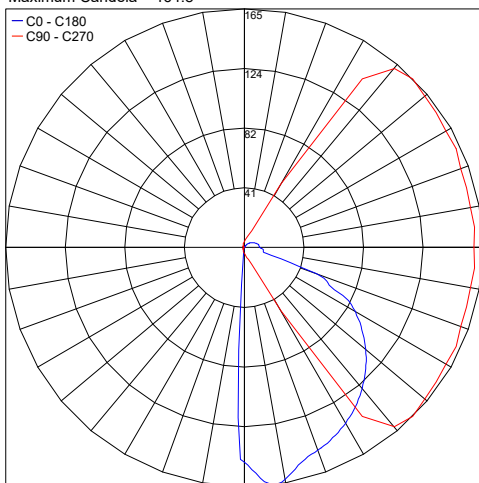
Suggested Lutron Compatible

Part Number	Option	Lutron SKU	Dim Range	Description	Input/Output	# of Fixtures
PPLT00259	L3DAE / L3DA3W	L3DA	100%-1%	Hi-Lume™ 1% EcoSystem™ or 1% 3-Wire LED Driver	120-277VAC to 500mA, 10W, Class 2	2-2
PPLT00195	L3DAE / L3DA3W	L3DA	100%-1%	Hi-Lume™ 1% EcoSystem™ or 1% 3-Wire LED Driver	120-277VAC to 500mA, 19W, Class 2	3-4
PPLT00676	L3DAE / L3DA3W	L3DA	100%-1%	Hi-Lume™ Premier 0.1% EcoSystem™ (0.1% Dim) LED Driver	120-277VAC to 500mA, 20W, Class 2	2-5
PPLT00180	L3DAE / L3DA3W	L3DA	100%-1%	Hi-Lume™ 1% EcoSystem™ or 1% 3-Wire LED Driver	120-277VAC to 500mA, 27W, Class 2	5-6

PHOTOMETRIC DATA

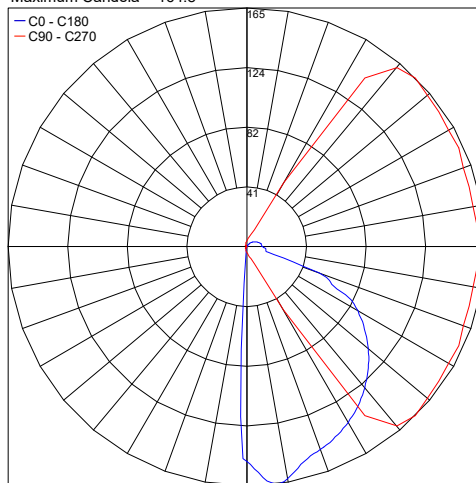
Note all Photometry is 3000K

Maximum Candela = 164.8



PHOTOMETRIC FILENAME : ELK BOLLARD 400 - 61501.X.3.05.IES

Maximum Candela = 164.8



PHOTOMETRIC FILENAME : ELK BOLLARD 900 - 61502.X.3.05.IES

Job Name/Date:

Fixture Type Designation: