

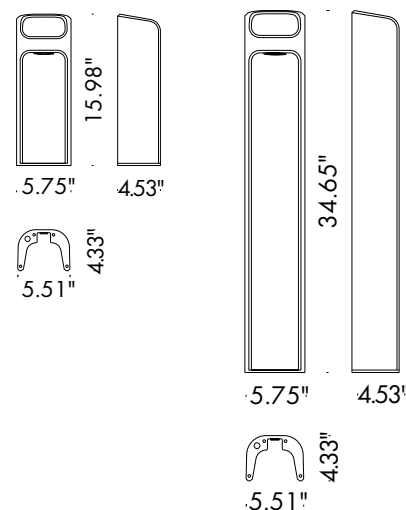
ELK is a sturdy, concrete LED fixture that comes as a bollard or wall mounted design, suitable for outdoor installation using an effective ground or wall fixing system. It is available in 3 color temperatures, an anthracite or natural concrete finish and mono light emission. Also available as a wall mount. Dark Sky compliant for output below 80°.



## TECHNICAL DATA

<b>Wattage</b>	5.5W
<b>Power Supply</b>	Remote 500mA, not included. See page 2.
<b>Construction</b>	Body: Portland Concrete Fixing Base: Stainless Steel Lens: Extra Clear Tempered Glass
<b>CCT</b>	2700K, 3000K, 4000K
<b>BUG Rating</b>	B0-U2-G0 (3000K)
<b>CRI</b>	>80
<b>Delivered Lumens</b>	190 lm (3000K) Dark Sky compliant, output below 80°
<b>Efficacy</b>	34.5 lm/W
<b>Optics</b>	Diffuse
<b>Finishes</b>	Natural or Anthracite Concrete
<b>Lumen Maintenance</b>	40,000 hrs (Ta 35°C)
<b>Fixture Dimensions</b>	5.57" x 4.53" x 15.98" or 34.65" h
<b>IP Rating</b>	IP66
<b>Impact Resistance</b>	IK08

Fixture Dimensions



## ORDERING INFORMATION

Example: F61501.B.3.64.US. Power Supplies ordered separately.

			<b>64</b>	<b>.US</b>
<b>Model No.</b>	<b>Finish</b>	<b>CCT</b>	<b>Optics</b>	
<b>F61501</b> - Bollard 400 (15.8")	<b>A</b> - Natural Concrete	<b>2</b> - 2700K	<b>64</b> - Monoemission Diffuse	<b>.US</b>
<b>F61502</b> - Bollard 900 (35.4")	<b>B</b> - Anthracite Concrete	<b>3</b> - 3000K		
		<b>4</b> - 4000K		

Job Name/Date:

Fixture Type Designation:

## SUGGESTED POWER SUPPLIES

500mA

Part Number	Description	Input/Output	# of Fixtures
<a href="#">PPLT00466-P</a>	0-10V Dimming (to 1.0%)	120VAC to 500mA, 10W, Class 2, DAMP	1-2
<a href="#">PPLT00497</a>	Phase Dim (120V only)	120VAC to 500mA, 12W, Class 2, DAMP	1-3
<a href="#">PPLT00262</a>	Leading / Trailing Edge Dimmable to 10% (120V only)	120-277VAC to 500mA, 32W, Class 2	4-7
<a href="#">PPLT00309-P</a>	0-10V Dimming to 0.1%	120-277VAC to 500mA, 50W, Class 2, DAMP	1-8
<a href="#">PPLT00538-P</a>	0-10V Dimming to 0.1%	120-277VAC to 500mA, 100W, Class 2	1-24

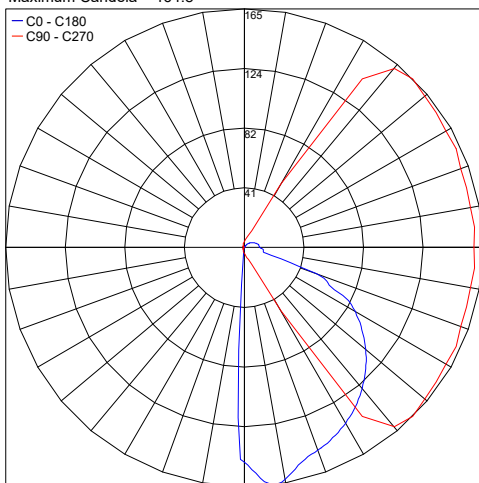
## Suggested Lutron Compatible

Part Number	Option	Lutron SKU	Dim Range	Description	Input/Output	# of Fixtures
<a href="#">PPLT00259</a>	L3DAE / L3DA3W	L3DA	100%-1%	Hi-Lume™ 1% EcoSystem™ or 1% 3-Wire LED Driver	120-277VAC to 500mA, 10W, Class 2	2-2
<a href="#">PPLT00195</a>	L3DAE / L3DA3W	L3DA	100%-1%	Hi-Lume™ 1% EcoSystem™ or 1% 3-Wire LED Driver	120-277VAC to 500mA, 19W, Class 2	3-4
<a href="#">PPLT00676</a>	L3DAE / L3DA3W	L3DA	100%-1%	Hi-Lume™ Premier 0.1% EcoSystem™ (0.1% Dim) LED Driver	120-277VAC to 500mA, 20W, Class 2	2-5
<a href="#">PPLT00180</a>	L3DAE / L3DA3W	L3DA	100%-1%	Hi-Lume™ 1% EcoSystem™ or 1% 3-Wire LED Driver	120-277VAC to 500mA, 27W, Class 2	5-6

## PHOTOMETRIC DATA

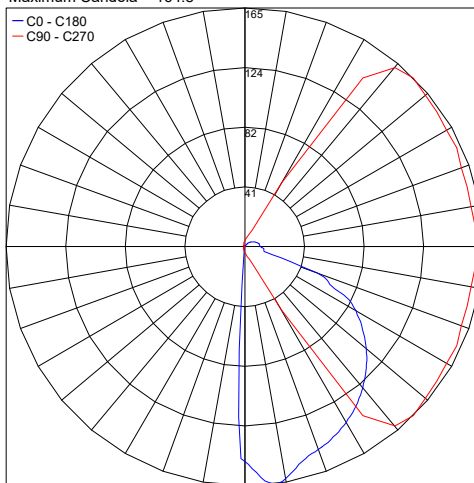
Note all Photometry is 3000K

Maximum Candela = 164.8



PHOTOMETRIC FILENAME : ELK BOLLARD 400 - 61501.X.3.05.IES

Maximum Candela = 164.8



PHOTOMETRIC FILENAME : ELK BOLLARD 900 - 61502.X.3.05.IES

Job Name/Date:

Fixture Type Designation: