

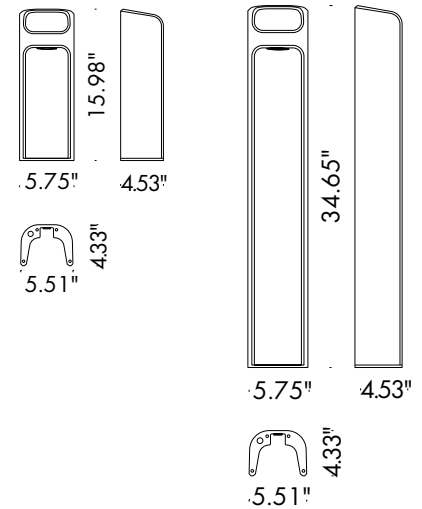
ELK is a sturdy, concrete LED fixture that comes as a bollard or wall mounted design, suitable for outdoor installation using an effective ground or wall fixing system. It is available in 3 color temperatures, an anthracite or natural concrete finish and mono light emission. Also available as a wall mount.



TECHNICAL DATA

| | |
|---------------------------|---|
| Wattage | 5.5W |
| Power Supply | Integral 120VAC |
| Construction | Body: Portland Concrete Fixing Base: Stainless Steel Lens: Extra Clear Tempered Glass |
| CCT | 2700K, 3000K, 4000K |
| BUG Rating | B0-U2-G0 (3000K) |
| CRI | >80 |
| Delivered Lumens | 190 lm (3000K) |
| Efficacy | 34.5 lm/W |
| Optics | Diffuse |
| Finishes | Natural or Anthracite Concrete |
| Lumen Maintenance | 40,000 hrs (Ta 35°C) |
| Fixture Dimensions | 5.57" x 4.53" x 15.98" or 34.65" h |
| IP Rating | IP66 |
| Impact Resistance | IK08 |

Fixture Dimensions



ORDERING INFORMATION

Example: F61501.B.3.64.US. Power Supplies ordered separately.

| | | | | |
|-------------------------------------|--------------------------------|------------------|----------------------------------|------------|
| | | | 64 | .US |
| Model No. | Finish | CCT | Optics | |
| F61501 - Bollard 400 (15.8") | A - Natural Concrete | 2 - 2700K | 64 - Monoemission Diffuse | .US |
| F61502 - Bollard 900 (35.4") | B - Anthracite Concrete | 3 - 3000K | | |
| | | 4 - 4000K | | |

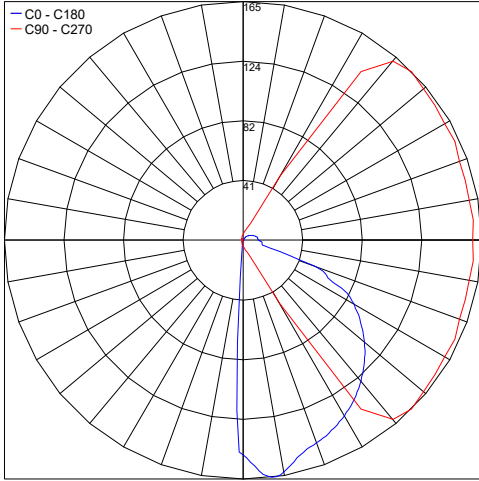
Job Name/Date:

Fixture Type Designation:

PHOTOMETRIC DATA

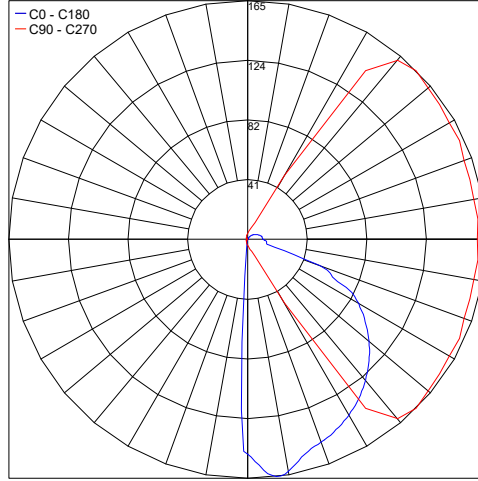
Note all Photometry is 3000K

Maximum Candela = 164.8



PHOTOMETRIC FILENAME : ELK BOLLARD 400 - 61501.X.3.05.IES

Maximum Candela = 164.8



PHOTOMETRIC FILENAME : ELK BOLLARD 900 - 61502.X.3.05.IES

Job Name/Date:

Fixture Type Designation: