

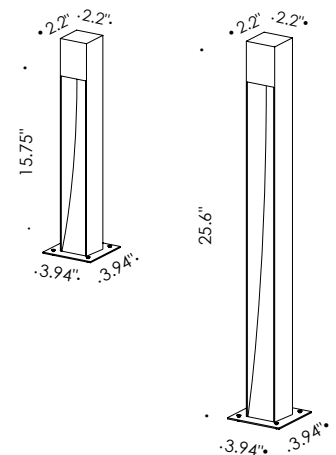
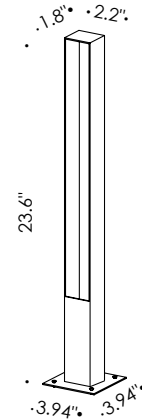
Fuori Terra is an IP67-rated bollard made of steel with a Corten finish, that is suitable for outdoor installation in a variety of settings. It is available in 3 versions, 2 color temperatures, and with indirect or direct light emission.



TECHNICAL DATA

Wattage / Input	2W (500mA)
Power Supply	Remote, not included. See page 2.
Construction	Body: Steel with a Corten finish
CCT	2700K, 3000K
CRI	>80
Delivered Lumens	200 lm (3000K, 2W)
Efficacy	100 lm/W (3000K, 2W)
Optics	Narrow Indirect (Fuori Terra) Direct (Fuori Terra Mini or Maxi)
Finishes	Corten
Fixture Dimensions	1.77" x 2.17" x 23.62" h (Fuori Terra) 2.17" x 2.17" x 15.75" h (Fuori Terra Mini) 2.17" x 2.17" x 25.59" h (Fuori Terra Maxi) Base Plate: 3.94" x 3.94"
IP Rating	IP67

Fixture Dimensions



ORDERING INFORMATION

Example: R30.031.6.27.US. Power supplies sold separately.

	6		US
Model No.	Finish	CCT	
R30.029 - Fuori Terra	6 - Corten	27 - 2700K	US
R30.030 - Fuori Terra Mini		30 - 3000K	
R30.031 - Fuori Terra Maxi			

Job Name/Date:

Fixture Type Designation:

SUGGESTED POWER SUPPLIES

500mA

Part Number	Description	Input/Output	# of Fixtures
PPLT00466	0-10V Dimming (to 1.0%)	120-277VAC to 500mA, 10W, Class 2, DAMP	1-5
PPLT00527	Phase Dim (120V only)	120VAC to 500mA, 25W, Class 2, IP66	6-12
PPLT00262	Leading/Trailing Edge Dimming to 10% (120V only)	120VAC to 500mA, 32W, Class 2	7-14
PPLT00467-P	0-10V Dimming to 1.0%	120-277VAC to 500mA, 50W, Class 2, DAMP	1-16
PPLT00538-P	0-10V Dimming to 0.1% (4 Channels)	120-277VAC to 500mA, 100W, Class 2	1-48

Suggested Lutron Compatible

Part Number	Option	Lutron SKU	Dim Range	Description	Input/Output	# of Fixtures
PPLT00189	L3DAE / L3DA3W	L3DA	100%-1%	Hi-Lume™ 1% EcoSystem™ OR 1% 3-Wire LED Driver	120-277VAC to 500mA, 10W	3-5
PPLT00259	L3DAE / L3DA3W	L3DA	100%-1%	Hi-Lume™ 1% EcoSystem™ OR 1% 3-Wire LED Driver	120-277VAC to 500mA, 10W, Class 2	3-5
PPLT00195	L3DAE / L3DA3W	L3DA	100%-1%	Hi-Lume™ 1% EcoSystem™ OR 1% 3-Wire LED Driver	120-277VAC to 500mA, 19W, Class 2	5-9
PPLT00676	PEQE	PEQ0	100%-0.1%	Hi-Lume™ Premier 0.1% EcoSystem™ Fade to Black	120-277VAC to 500mA, 20W, Class 2	4-10
PPLT00180	L3DAE / L3DA3W	L3DA	100%-1%	Hi-Lume™ 1% EcoSystem™ OR 1% 3-Wire LED Driver	120-277VAC to 500mA, 27W, Class 2	10-13

For other power supply options consult factory.

Job Name/Date:

Fixture Type Designation: