

# PIN

WHEN DESCRIBING A PRODUCT LIKE PIN, IT WOULD BE EASY TO FOCUS ON ITS SLENDER BUT RESISTANT STRUCTURE AND ITS MINIMALISTIC LOOK. BUT FRANCESCONI HAS MANY OTHER TRICKS UP ITS SLEEVE. THE FIRST CONCERNING THE EASE OF CONNECTION. AN INGENUOUS GEL SYSTEM ALLOWS FOR SAFE AND ISOLATED WIRING, WITHOUT RESORTING TO PRE-WIRED SOLUTIONS THAT HAVE VERY LITTLE PRACTICAL CONVENIENCE OR RELIABILITY. AND WE CARE A LOT ABOUT RELIABILITY.

## FEATURES:

- 6026 ANTICORODAL ALUMINUM HOUSING.
- HIGH-RESISTANCE DOUBLE PAINTING PROCESS (UNI ISO9227:2012 SALINE TEST COMPLIANT).
- STAINLESS STEEL FIXING BASE
- A4 STAINLESS STEEL SEALING ALLEN SCREWS.
- EXTRA CLEAR TEMPERED GLASS LENS.
- SINGLE-CABLE INPUT, PRE-ASSEMBLED WITH NEOPRENE CABLE AND IP68 WATER-STOP FAST CONNECTOR.
- SILICON GASKET.
- COMPLIANT EN60598-1 AND RELATED ANNEX

designplan® 

79 Trenton Avenue  
Frenchtown, NJ 08825

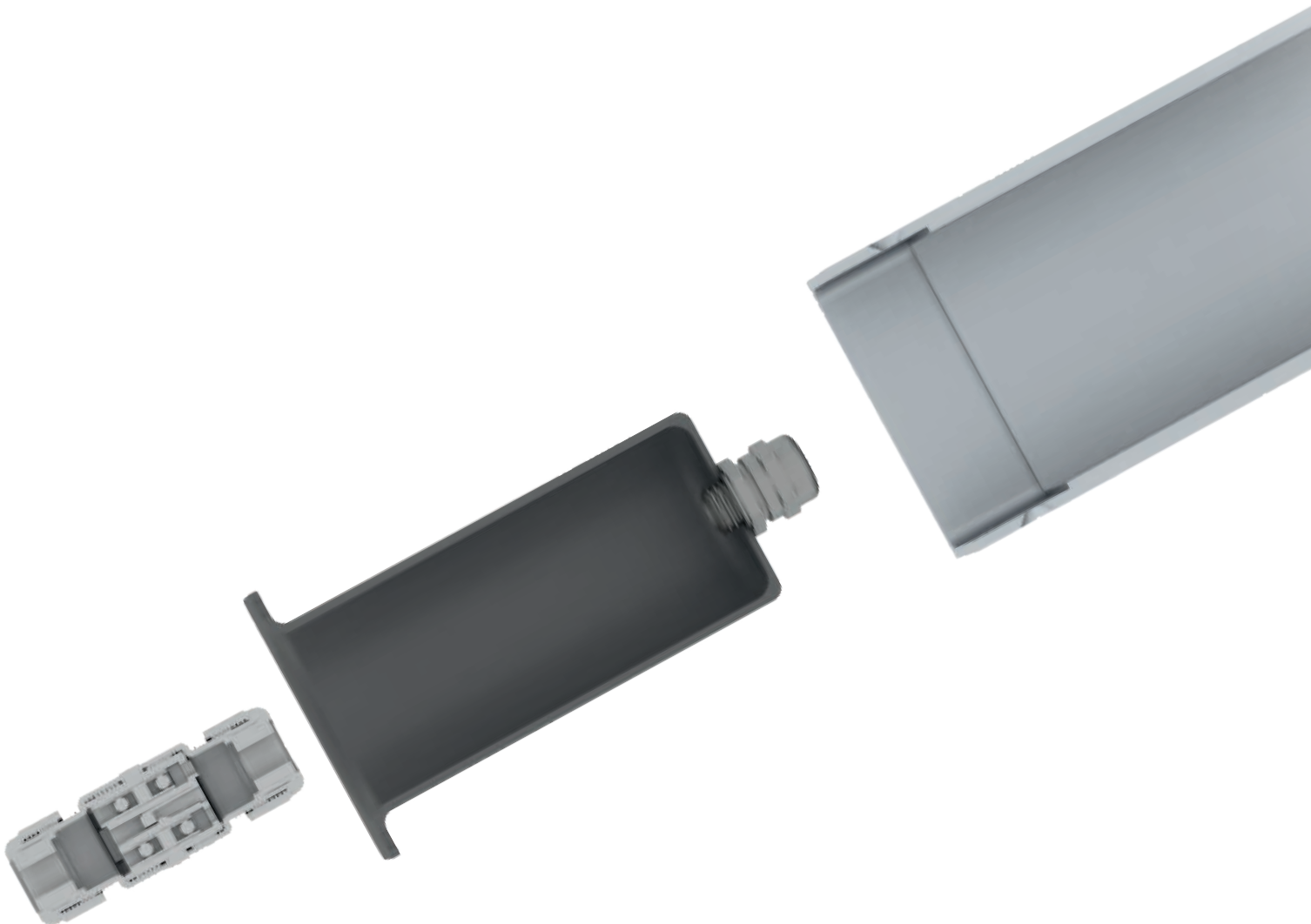
[www.designplan.com](http://www.designplan.com)

Tel: (908) 996-7710  
Fax: (908) 996-7042



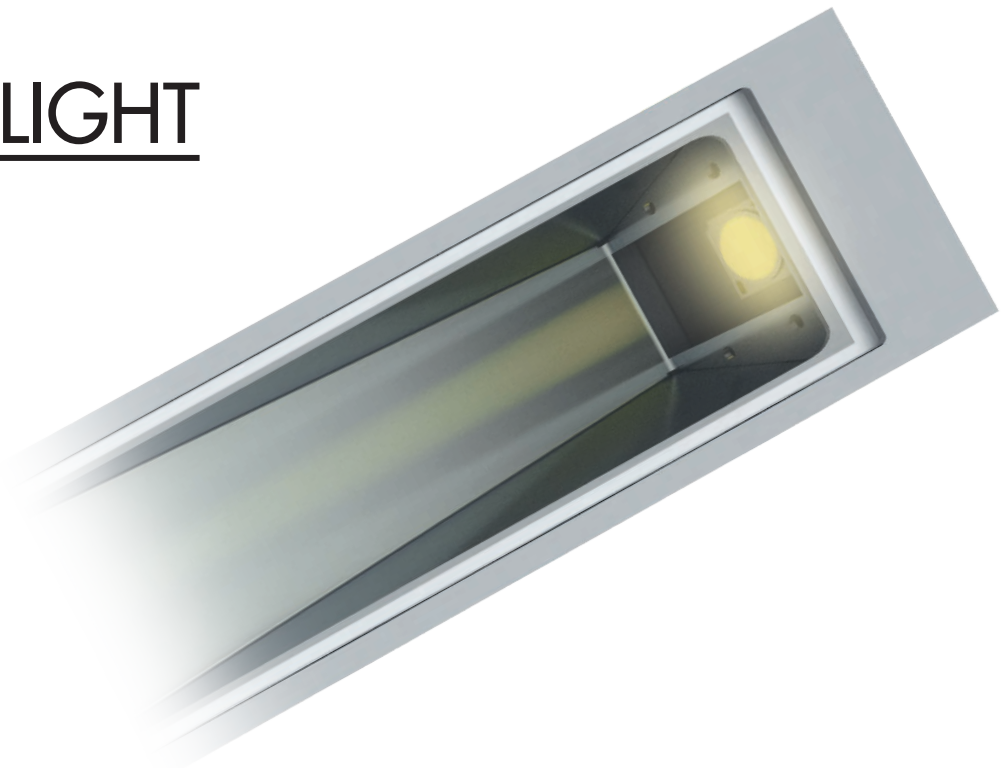
# UNRESTRICTED CONNECTIONS

LET'S FACE IT: THE VAST MAJORITY OF PIN-LIKE PRODUCTS MAKE INSTALLATION TASKS HELL. PRE-WIRED PRODUCTS WITH VERY LONG CABLES, AND CONNECTIONS TO AWKWARD REMOTE BOXES CAN TAKE A LOT OF THOUGHT AND TIME TO SET-UP. AT FRANCESCONI WE HAVE DESIGNED PIN WITH THE "HERMIT CRAB SYSTEM" WHICH ALLOWS CABLES TO BE STORED INSIDE THE TECHNICAL COMPARTMENT AND PROTECTED BY A GEL COMPOUND THAT MAKES THE WIRING WATERPROOF AND ERROR PROOF.



# A NEW PIN LIGHT

THE ENTIRE PIN COLLECTION HAS BEEN REDESIGNED, WITH HIGH PERFORMANCE LEDS, PROTECTED BY A DISSIPATION SYSTEM THAT MAKES THE PRODUCT DURABLE AND MAINTAINS ITS EXCELLENT PERFORMANCE



## A MATTER OF REFLECTION

THE ENTIRE PIN COLLECTION PRODUCES A LARGE AMOUNT OF LIGHT USING A PERISCOPE REFLECTION SYSTEM, EMPHASIZED BY THE USE OF HIGHLY EFFICIENT ALUMINUM REFLECTORS, CAPABLE OF PROJECTING LIGHT WHERE IT'S NEEDED WITH VIRTUALLY NO DROP IN INTENSITY.







PRIVATE VILLA - ITALY (LIGHTING CONCEPT E. ROCCO GIARDINI SRL)

# PIN BOLLARD SINGLE EMISSION

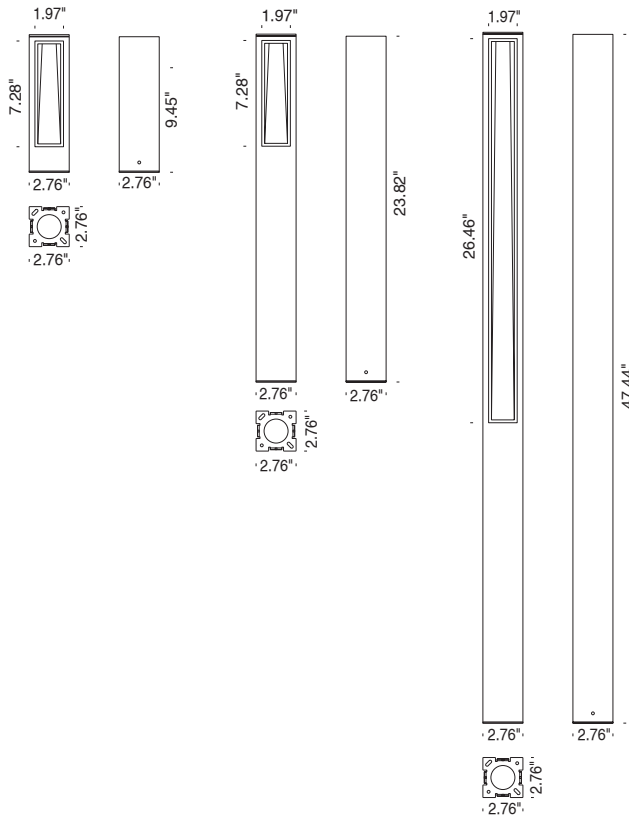
## PERFORMANCE DATA

	PIN 240	PIN 600	PIN 1200
TRUE POWER (W)	8.0	14.0	14.0
TRUE LUMENS (3000K)	450 (.64)	899 (.64)	899 (.64)
TRUE LUMENS (4000K)	469 (.64)	937 (.64)	937 (.64)
L90 LIFETIME (HRS)	55.000 (Ta 35°C)	55.000 (Ta 35°C)	55.000 (Ta 35°C)

## BUILD DATA

	PIN 240	PIN 600	PIN 1200
CLASS	I	I	I
NOMINAL VOLTAGE	220-240V 50/60Hz	220-240V 50/60Hz	220-240V 50/60Hz
POWER SUPPLY	INCLUDED ON-OFF	INCLUDED ON-OFF	INCLUDED ON-OFF
OVERVOLTAGE PROTECTION	10KV	10KV	10KV
EXTERNAL CABLE	SINGLE INPUT	SINGLE INPUT	SINGLE INPUT
	3-POLES NEOPRENE	3-POLES NEOPRENE	3-POLES NEOPRENE
PROTECTION RATING	IP68 FAST CONNECTION IP65 - IK07	IP68 FAST CONNECTION IP65 - IK07	IP68 FAST CONNECTION IP65 - IK07

## DIMENSIONS



PIN240

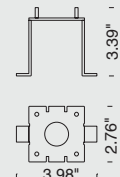
PIN600

PIN1200

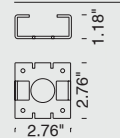
## CODE COMPOSITION

	61001	61025	61037
● FINISH	.1 - ANTHRACITE .4 - ALU GREY (RAL9006) .8 - DARK BROWN	.1 - ANTHRACITE .4 - ALU GREY (RAL9006) .8 - DARK BROWN	.1 - ANTHRACITE .4 - ALU GREY (RAL9006) .8 - DARK BROWN
■ LED COLOR	.2 - 2700°K - CRI > 80 .3 - 3000°K - CRI > 80 .4 - 4000°K - CRI > 80	.2 - 2700°K - CRI > 80 .3 - 3000°K - CRI > 80 .4 - 4000°K - CRI > 80	.2 - 2700°K - CRI > 80 .3 - 3000°K - CRI > 80 .4 - 4000°K - CRI > 80
▲ BEAM	.64 - MONO EMISSION	.64 - MONO EMISSION	.64 - MONO EMISSION

## ACCESSORIES



COACH PLATE  
A9932



GROUND MOUNT SPACER  
A0121

# PIN BOLLARD DOUBLE EMISSION

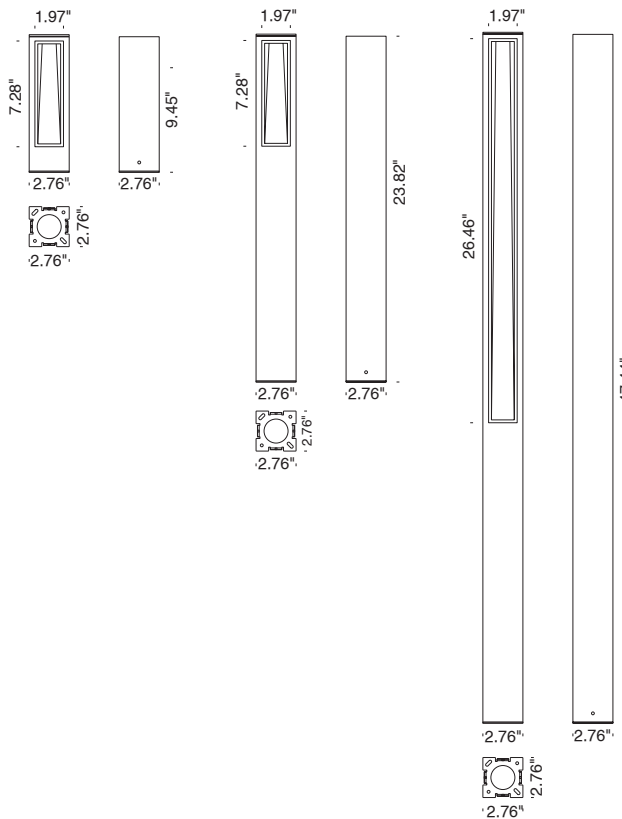
## PERFORMANCE DATA

	PIN240	PIN600	PIN1200
TRUE POWER (W)	8.0	14.0	14.0
TRUE LUMENS (3000K)	572 (.67)	1142 (.67)	1142 (.67)
TRUE LUMENS (4000K)	595 (.67)	1190 (.67)	1190 (.67)
L90 LIFETIME (HRS)	55.000 (Ta 35°C)	55.000 (Ta 35°C)	55.000 (Ta 35°C)

## BUILD DATA

	PIN240	PIN600	PIN1200
CLASS	I	I	I
NOMINAL VOLTAGE	220-240V 50/60Hz	220-240V 50/60Hz	220-240V 50/60Hz
POWER SUPPLY	INCLUDED ON-OFF	INCLUDED ON-OFF	INCLUDED ON-OFF
OVERVOLTAGE PROTECTION	10KV	10KV	10KV
EXTERNAL CABLE	SINGLE INPUT	SINGLE INPUT	SINGLE INPUT
	3-POLES NEOPRENE	3-POLES NEOPRENE	3-POLES NEOPRENE
PROTECTION RATING	IP68 FAST CONNECTION IP65 - IK07	IP68 FAST CONNECTION IP65 - IK07	IP68 FAST CONNECTION IP65 - IK07

## DIMENSIONS



PIN240

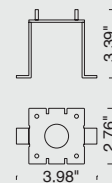
PIN600

PIN1200

## CODE COMPOSITION

	61002	61026	61038
● FINISH	.1 - ANTHRACITE .4 - ALU GREY (RAL9006) .8 - DARK BROWN	.1 - ANTHRACITE .4 - ALU GREY (RAL9006) .8 - DARK BROWN	.1 - ANTHRACITE .4 - ALU GREY (RAL9006) .8 - DARK BROWN
■ LED COLOR	.2 - 2700°K - CRI > 80 .3 - 3000°K - CRI > 80 .4 - 4000°K - CRI > 80	.2 - 2700°K - CRI > 80 .3 - 3000°K - CRI > 80 .4 - 4000°K - CRI > 80	.2 - 2700°K - CRI > 80 .3 - 3000°K - CRI > 80 .4 - 4000°K - CRI > 80
▲ BEAM	.67 - DOUBLE EMISSION	.67 - DOUBLE EMISSION	.67 - DOUBLE EMISSION

## ACCESSORIES



COACH PLATE  
A9932



GROUND MOUNT SPACER  
A0121



# PIN POLE SINGLE & DOUBLE EMISSION

## PIN2400 SINGLE    PIN2400 DOUBLE

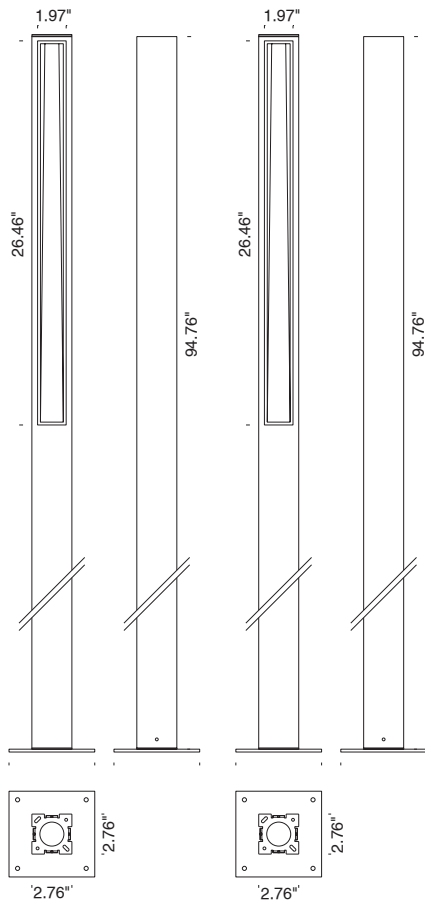
### PERFORMANCE DATA

TRUE POWER (W)	14.0	14.0
TRUE LUMENS (3000K)	899 (.64)	1142 (.67)
TRUE LUMENS (4000K)	937 (.64)	1190 (.67)
L90 LIFETIME (HRS)	55.000 (Ta 35°C)	55.000 (Ta 35°C)

### BUILD DATA

CLASS	I	I
NOMINAL VOLTAGE	220-240V 50/60Hz	220-240V 50/60Hz
POWER SUPPLY	INCLUDED ON-OFF	INCLUDED ON-OFF
OVERVOLTAGE PROTECTION	10KV	10KV
EXTERNAL CABLE	SINGLE INPUT	SINGLE INPUT
	3-POLES NEOPRENE	3-POLES NEOPRENE
	IP68 FAST CONNECTION	IP68 FAST CONNECTION
PROTECTION RATING	IP65 - IK07	IP65 - IK07
EMISSION	SINGLE EMISSION	DOUBLE EMISSION

### DIMENSIONS



### CODE COMPOSITION

● FINISH

- .1 - ANTHRACITE
- .4 - ALU GREY (RAL9006)
- .8 - DARK BROWN

■ LED COLOR

- .2 - 2700°K - CRI > 80
- .3 - 3000°K - CRI > 80
- .4 - 4000°K - CRI > 80

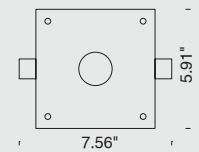
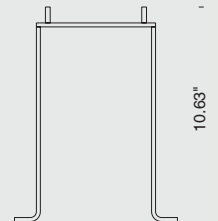
▲ BEAM

- .64 - MONO EMISSION
- .67 - DOUBLE EMISSION

SINGLE EMISSION

DOUBLE EMISSION

### ACCESSORIES



COACH PLATE  
A9941



GROUND MOUNT SPACER  
A0121



PRIVATE COMPANY - TORRE PALLAVICINA - BERGAMO - ITALY - (LIGHTING CONCEPT E. ROCCO GIARDINI SRL)