

OGI is a family of luminaires based on the shape of the traditional Japanese folding fan of the same name and comes in a suspended, wall or table version. The bold, geometric shape in solid colors and surprisingly thin profile create an iconic, graphic signature - a calligraphic brush stroke in the air. The OGI suspended comes in 3 sizes, with dim to warm touchless control, direct / indirect light, and basic, standard and premium finishes.



Fixture Dimensions - See page 2

TECHNICAL DATA

Wattage / Input	12W (500mA), 15W (600mA), 17W (700mA)
Power Supply	Remote, not included. See page 2.
Dimming	Dim to Warm Touchless Control
Construction	Body: Powder Coated Steel Lens: Satin
CCT	Dim to Warm (2200K-3000K), 3000K, 4000K
CRI	>90
Delivered Lumens	40S: 1260 lm (direct) / 126 lm (indirect) 60S: 1860 lm (direct) / 189 lm (indirect) 80S: 2700 lm (direct) / 189 lm (indirect)
Efficacy	40S / 60S: 93.3 lm/W 80S: 98.2 lm/W
Optics	Diffuse
Lumen Maintenance	50,000 hrs L80, B10 (Ta 25°C)
Color Consistency	3-Step MacAdam
Finishes	4 Basic, 4 Standard, 8 Premium - see page 2
Fixture Dimensions	14.57" x 1.42" x 7.24" (40S) 22.05" x 1.42" x 11.22" (60S) 31.50" x 1.42" x 16.26" (80S)
IP Rating	IP20

ORDERING INFORMATION

Example: 7.2403.0321.1761.50.US. Power Supplies / Accessories sold separately.

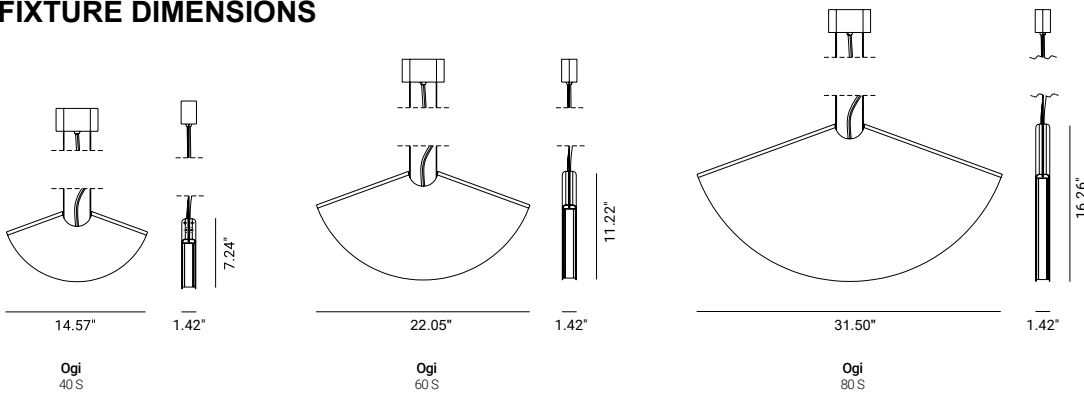
			.US
--	--	--	-----

Model No.	CCT	Finishes		.US
7.2402.0221 (OGI 40 S - 12W)	1661 - 3000K ON/OFF	40 - White (Basic)	G0 - Fog (Basic)	.US
7.2403.0321 (OGI 60 S - 15W)	1761 - 4000K ON/OFF	50 - Black (Basic)	H0 - Graphite (Basic)	
7.2404.0421 (OGI 80 S - 17W)	2661 - 3000K DALI	A0 - Sage (Premium)	M0 - Marrone (Premium)	
	2761 - 3000K DALI	B0 - Black Dust (Premium)	N0 - Night (Premium)	
	WA21 - DimWarm (2200-3000K)	C0 - Cloudy (Premium)	O0 - Ochra (Standard)	
		D0 - Sandy (Premium)	S0 - Sapphire (Standard)	
		E0 - Earth (Premium)	V0 - Volcano (Premium)	
		F0 - Forrest (Standard)	W0 - Wine (Standard)	

Job Name/Date:

Fixture Type Designation:

FIXTURE DIMENSIONS



HOUSING COLORS

- | Basic | Standard | Premium | |
|--------------------|---------------------|---------|------------|
| white (RAL9016) | sapphire (RAL 5003) | sandy | marrone |
| fog (RAL7038) | forrest (RAL 6005) | sage | volcano |
| graphite (RAL7024) | wine (RAL 3005) | earth | night |
| black (RAL9005) | ochra (RAL 8001) | cloudy | black dust |

SUGGESTED POWER SUPPLIES

500mA (OGI 40) - 600mA (OGI 60) - 700mA (OGI 80)

Part Number	Description	Input/Output	# of Fixtures		
			12W	15W	17W
PPLT00465-P	0-10V Dimming to 1.0%	120-277VAC to 500mA-700mA, 20W, Class 2, DAMP	1-1	1-1	1-1
PPLT00527	Phase Dim (120V only)	120VAC to 500mA-700mA, 25W, Class 2, IP66	1-1	—	—
PPLT00262	Leading / Trailing Edge Dimming to 10% (120V only)	120-277VAC to 500mA-700mA, 32W, Class 2	1-1	—	—
PPLT00261	Leading / Trailing Edge Dimming to 10% (120V only)	120-277VAC to 500mA-700mA, 32W, Class 2	—	—	1-1
PPLT00467-P	0-10V Dimming to 1.0%	120-277VAC to 500mA-700mA, 50W, Class 2, DAMP	1-2	1-2	—
PPLT00538-P	0-10V Dimming to 0.1% (4 channels)	120-277VAC to 500mA-700mA, 100W, Class 2	1-8	1-4	1-4

Suggested Lutron Compatible

Part Number	Option	Lutron SKU	Dim Range	Description	Input/Output	# of Fixtures		
						12W	15W	17W
PPLT00195	L3DAE / L3DA3W	L3DA	100%-1%	Hi-Lume™ 1% EcoSystem™ or 1% 3-Wire LED Driver	120-277VAC to 500-600mA, 19W, Class 2	1-1	—	—
PPLT00676	L3DAE / L3DA3W	L3DA	100%-1%	Hi-Lume™ Premier 0.1% EcoSystem™ (0.1% DIM) F2B	120-277VAC to 500-600mA, 20W, Class 2	1-1	—	—
PPLT00180	L3DAE / L3DA3W	L3DA	100%-1%	Hi-Lume™ 1% EcoSystem™ or 1% 3-Wire LED Driver	120-277VAC to 500-600mA, 27W, Class 2	2-2	—	—
PPLT00635	L3DAE / L3DA3W	L3DA	100%-1%	Hi-Lume™ Premier 0.1% EcoSystem™ (0.1% DIM) F2B	120/277VAC to 700mA, 20W, Class 2	—	—	1-1
PPLT00673	L3DAE / L3DA3W	L3DA	100%-1%	Hi-Lume™ Premier 0.1% EcoSystem™ (0.1% DIM) F2B	120-277VAC to 700mA, 20W, Class 2	—	—	1-1
PPLT00517	L3DAE / L3DA3W	L3DA	100%-1%	Hi-Lume™ 1% EcoSystem™ or 1% 3-Wire LED Driver	120-277VAC to 700mA, 27W, Class 2	—	—	1-1
PPLT00181	L3DAE / L3DA3W	L3DA	100%-1%	Hi-Lume™ 1% EcoSystem™ or 1% 3-Wire LED Driver	120-277VAC to 700mA, 38W, Class 2	—	—	2-2

For other power supply options consult factory.

Job Name/Date:

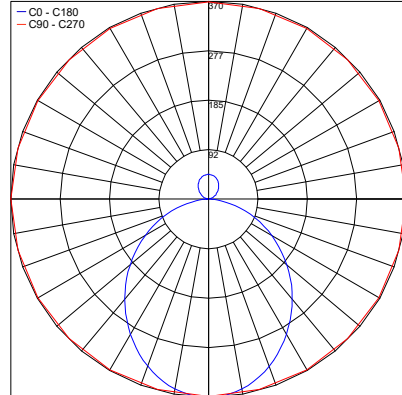
Fixture Type Designation:

PHOTOMETRIC DATA

Note: Photometric data is Dim to Warm and 3000K

40 S Dim to Warm

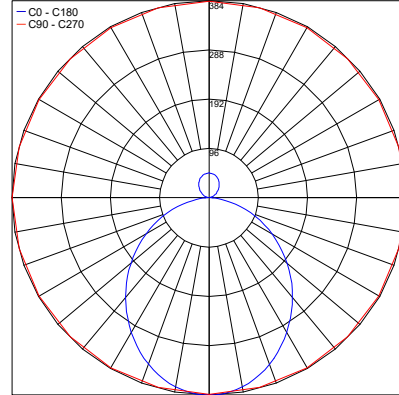
Maximum Candela = 685



PHOTOMETRIC FILENAME : OGI-40-S_2700-3000K_SATINE_CV_HE_370X36MM.IES

3000K

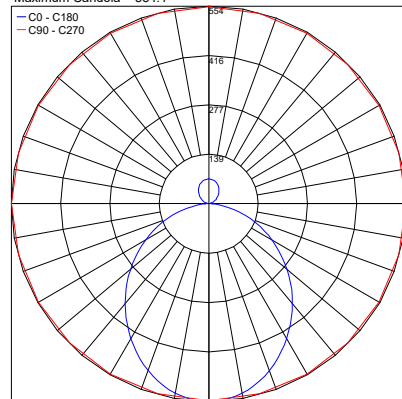
Maximum Candela = 384.4



PHOTOMETRIC FILENAME : OGI-40-S_3000K_SATINE_CC_HE_370X36MM.IES

60 S Dim to Warm

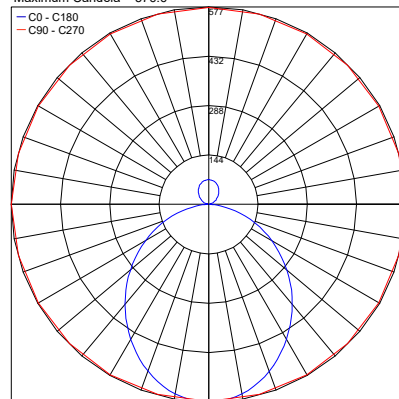
Maximum Candela = 554.1



PHOTOMETRIC FILENAME : OGI-60-S_2700-3000K_SATINE_CV_HE_560X36MM.IES

3000K

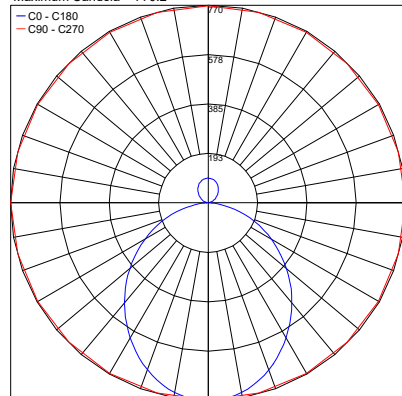
Maximum Candela = 576.6



PHOTOMETRIC FILENAME : OGI-60-S_3000K_SATINE_CC_HE_560X36MM.IES

80 S Dim to Warm

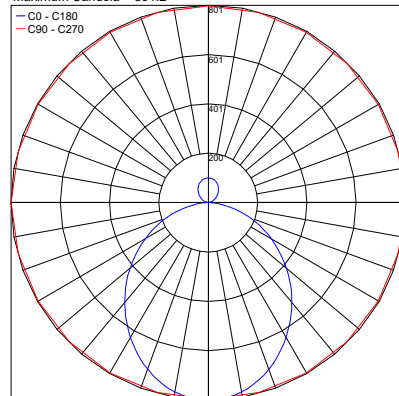
Maximum Candela = 770.2



PHOTOMETRIC FILENAME : OGI-80-S_2700-3000K_SATINE_CV_HE_800X36MM.IES

3000K

Maximum Candela = 801.2



PHOTOMETRIC FILENAME : OGI-80-S_3000K_SATINE_CC_HE_800X36MM.IES

Job Name/Date:

Fixture Type Designation: