

OGI is a family of luminaires based on the shape of the traditional Japanese folding fan of the same name and comes in a suspended, wall or table version. The bold, geometric shape in solid colors and surprisingly thin profile create an iconic, graphic signature - a calligraphic brush stroke in the air. The OGI Table comes in 12W, with dim to warm touchless control, direct / indirect light, and basic, standard and premium finishes.



Fixture Dimensions - See page 2

TECHNICAL DATA

Wattage / Input	12W
Power Supply	Integral 120VAC
Dimming	Dim to Warm Touchless Control
Construction	Body: Powder Coated Steel Lens: Satin
CCT	Dim to Warm (2200K-3000K)
CRI	>90
Delivered Lumens	1212 lm (3000K)
Efficacy	101 lm/W
Optics	Diffuse
Lumen Maintenance	50,000 hrs L80, B10 (Ta 25°C)
Color Consistency	3-Step MacAdam
Finishes	4 Basic, 4 Standard, 8 Premium - see page 2
Fixture Dimensions	14.57" x 4.96" x 14.96"
IP Rating	IP20

ORDERING INFORMATION

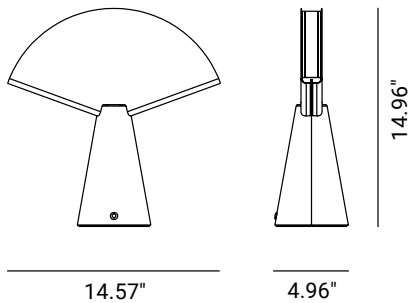
Example: IO7.2422.02P1.WA21.50.US. Power Supplies / Accessories sold separately.

IO7.2422.02P1	WA21		.US	
Model No.	CCT	Finishes		
IO7.2422.02P1	WA21 - Dim to Warm	40 - White (Basic) 50 - Black (Basic) A0 - Sage (Premium) B0 - Black Dust (Premium) C0 - Cloudy (Premium) D0 - Sandy (Premium) E0 - Earth (Premium) F0 - Forrest (Standard)	G0 - Fog (Basic) H0 - Graphite (Basic) M0 - Marrone (Premium) N0 - Night (Premium) O0 - Ochra (Standard) S0 - Sapphire (Standard) V0 - Volcano (Premium) W0 - Wine (Standard)	.US

Job Name/Date:

Fixture Type Designation:

FIXTURE DIMENSIONS



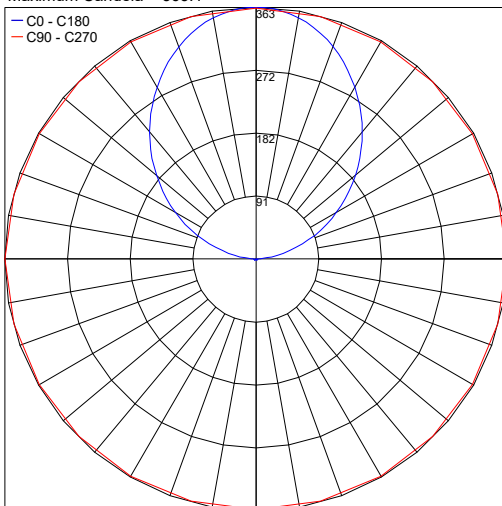
HOUSING COLORS

Basic	Standard	Premium	
white (RAL9016)	sapphire (RAL 5003)	sandy	marrone
fog (RAL7038)	forrest (RAL 6005)	sage	volcano
graphite (RAL7024)	wine (RAL 3005)	earth	night
black (RAL9005)	ochra (RAL 8001)	cloudy	black dust

PHOTOMETRIC DATA

Note: Photometric data is Dim to Warm (2700-3000K)

Maximum Candela = 363.1



PHOTOMETRIC FILENAME : OGI_40_TABLE_2700-3000K_SATINE_CV_HE_370X128MM.IES

Job Name/Date:

Fixture Type Designation:

Job Name/Date:

Fixture Type Designation: