

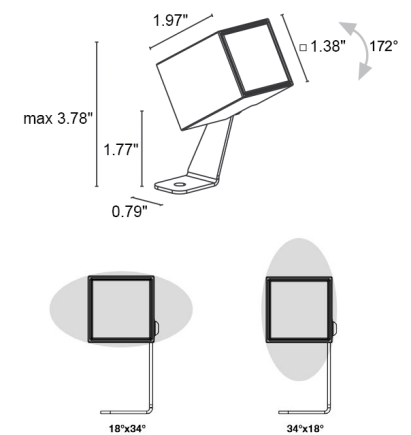
Reiko is a series of square outdoor projectors ideal for architectural lighting on details and facades as well as illuminating plants and trees in parks and gardens. They are available in a variety of light outputs, adjustable elliptical optics using a magnet (Reiko 3.0 and 4.0) and shadow-effect filter built into the sharp 32° optics on Reiko 3.0. Reiko 1.0 is the 1.4" square version.



## TECHNICAL DATA

<b>Wattage / Input</b>	2.5W, 3.5W (24VDC)
<b>Power Supply</b>	Remote, not included. See page 2.
<b>Construction</b>	Body: Die-cast Aluminum Bracket: 316L Stainless Steel Lens: Serigraphed-gray and Tempered Extra-clear Glass
<b>CCT</b>	2700K, 3000K, 4000K
<b>CRI</b>	CRI 80, >90
<b>BUG Rating</b>	B0-U0-G0 (3000K)
<b>Delivered Lumens</b>	See Delivered Lumens Chart
<b>Efficacy</b>	41.6-52 lm/W (2.5W), 41.4-52 lm/W (3.5W)
<b>Optics</b>	7 Standard (see below)
<b>Finishes</b>	5 Standard, Custom RAL (see below)
<b>Fixture Dimensions</b>	1.38" x 1.38" x 1.97" l x 1.77" h (max 3.78" h fully extended) 0.79" wide bracket
<b>Fixture Weight</b>	0.55 lbs
<b>LED Source</b>	1 Power LED
<b>Lumen Maintenance</b>	L90, B10 >60,000hrs (Ta 25°C)
<b>Color Consistency</b>	2-Step MacAdam
<b>Operating Temp.</b>	-4°F to +122°F
<b>IP Rating</b>	IP66
<b>Impact Rating</b>	IK06

Fixture Dimensions



<b>Delivered Lumens (3000K, 21°)</b>	2.5W	3.5W
<b>CRI 80</b>	130 lm	182 lm
<b>CRI &gt;90</b>	104 lm	145 lm

## ORDERING INFORMATION

Example: RK1001100150SE or RK1001100150SE-2. Accessories / Power Supplies ordered separately.

RK100							
Model #	Wattage	CRI	Optical Acces.	CCT	Optics	Finish	Cable Length
RK100	0 - 2.5W	0 - 80	000 - none	F0 - 2700K	S - 17°	H - Anthracite	4.9' standard
	1 - 3.5W	1 - >90	001 - Honeycomb <i>*Honeycomb Louver NOT available on 38° sharp optics</i>	50 - 3000K 90 - 4000K*	M - 21° L - 38° P - 38° sharp* K - 59° W - 18° x 34° X - 34° x 18°	T - Cor-ten F - Grey 5 - Jasper Green E - White C - Custom RAL <i>(consult factory for "C")</i>	1 - 16.4' 2 - 32.8' 3 - 49.2' 4 - 65.6'

Job Name/Date:

Fixture Type Designation:

## SUGGESTED POWER SUPPLIES

### 2.5W - 24VDC

Part Number	Description	Input/Output	# of Fixtures
<a href="#">PPLT00632</a>	0-10V Dimming (Dim to Off)	120-277VAC to 24VDC, 12W, Class 2	1-3
<a href="#">PPLT00701</a>	0-10V Dimming (Dim to Off)	120-277VAC to 24VDC, 50W, Class 2	1-32
<a href="#">PPLT00709</a>	ELV/TRIAC & 0-10V Dimming to 5% and OFF	120-277VAC to 24VDC, 96W, Class 2, DAMP	1-30
<a href="#">PPLT00543</a>	0-10V Dimming to 15% (-40°C / -40°F cold weather start)	120-277VAC to 24VDC, 100W, Class 2	4-32

### Suggested Lutron Compatible - 2.5W

Part Number	Option	Lutron SKU	Dim Range	Description	Input/Output	# of Fixtures
<a href="#">PPLT00273</a>	L3DAE / L3DA3W	L3DA	100%-1%	Hi-Lume™ 1% EcoSystem™ or 1% 3-Wire LED Driver	120-277VAC to 24VDC, 40W, Class 2	1-12
<a href="#">PPLT00530</a>	L3DAE / L3DA3W	L3DA	100%-1%	Hi-Lume™ 1% EcoSystem™ or 1% 3-Wire LED Driver	120-277VAC to 24VDC , 96W, Class 2	1-30

## SUGGESTED POWER SUPPLIES

### 3.5W - 24VDC

Part Number	Description	Input/Output	# of Fixtures
<a href="#">PPLT00632</a>	0-10V Dimming (Dim to Off)	120-277VAC to 24VDC, 12W, Class 2	1-2
<a href="#">PPLT00586</a>	Non-Dim	120-277VAC to 24VDC, 40W, Class 2	1-9
<a href="#">PPLT00709</a>	ELV/TRIAC & 0-10V Dimming to 5% and OFF	120-277VAC to 24VDC, 96W, Class 2, DAMP	1-21
<a href="#">PPLT00543</a>	0-10V Dimming to 15% (-40°C / -40°F cold weather start)	120-277VAC to 24VDC, 100W, Class 2	3-22

### Suggested Lutron Compatible - 3.5W

Part Number	Option	Lutron SKU	Dim Range	Description	Input/Output	# of Fixtures
<a href="#">PPLT00273</a>	L3DAE / L3DA3W	L3DA	100%-1%	Hi-Lume™ 1% EcoSystem™ or 1% 3-Wire LED Driver	120-277VAC to 24VDC, 40W, Class 2	1-9
<a href="#">PPLT00530</a>	L3DAE / L3DA3W	L3DA	100%-1%	Hi-Lume™ 1% EcoSystem™ or 1% 3-Wire LED Driver	120-277VAC to 24VDC , 96W, Class 2	1-21

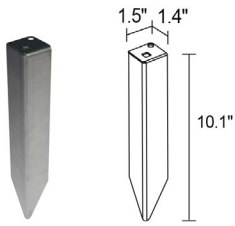
For other power supply options consult factory.

Job Name/Date:

Fixture Type Designation:

## ACCESSORIES

### Installation



**WP0100**  
Ground Spike  
(Length 10.1")



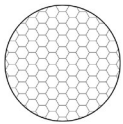
**WP1004**  
Fastener Strap  
(Length 16.4")



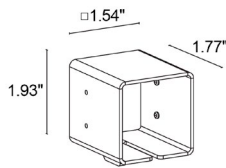
**WF3302**  
Cable Protection Sheath  
(Length 7.1")

## ACCESSORIES

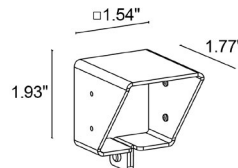
### Anti-Glare



**Add in the Ordering Code**  
Honeycomb Louvre  
*Not available for Sharp Optics.*



**WBA08\_\_**  
Standard Snoot



**WBA09\_\_**  
Asymmetric Snoot

*For Snoots include one of the below finishes:*

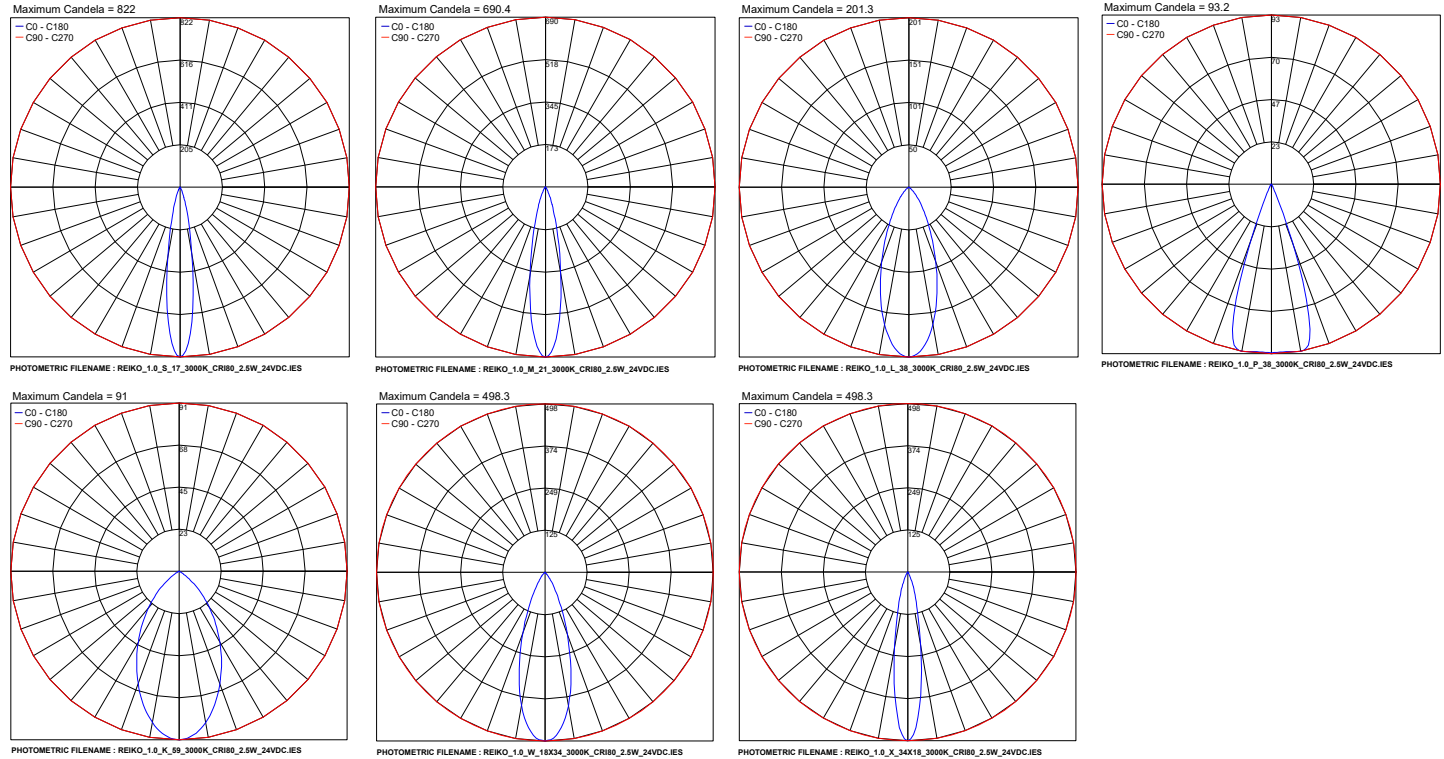
- E** - White
- F** - Gray
- H** - Anthracite
- T** - Cor-ten
- 5** - Jasper Green
- C** - Custom RAL

Job Name/Date:

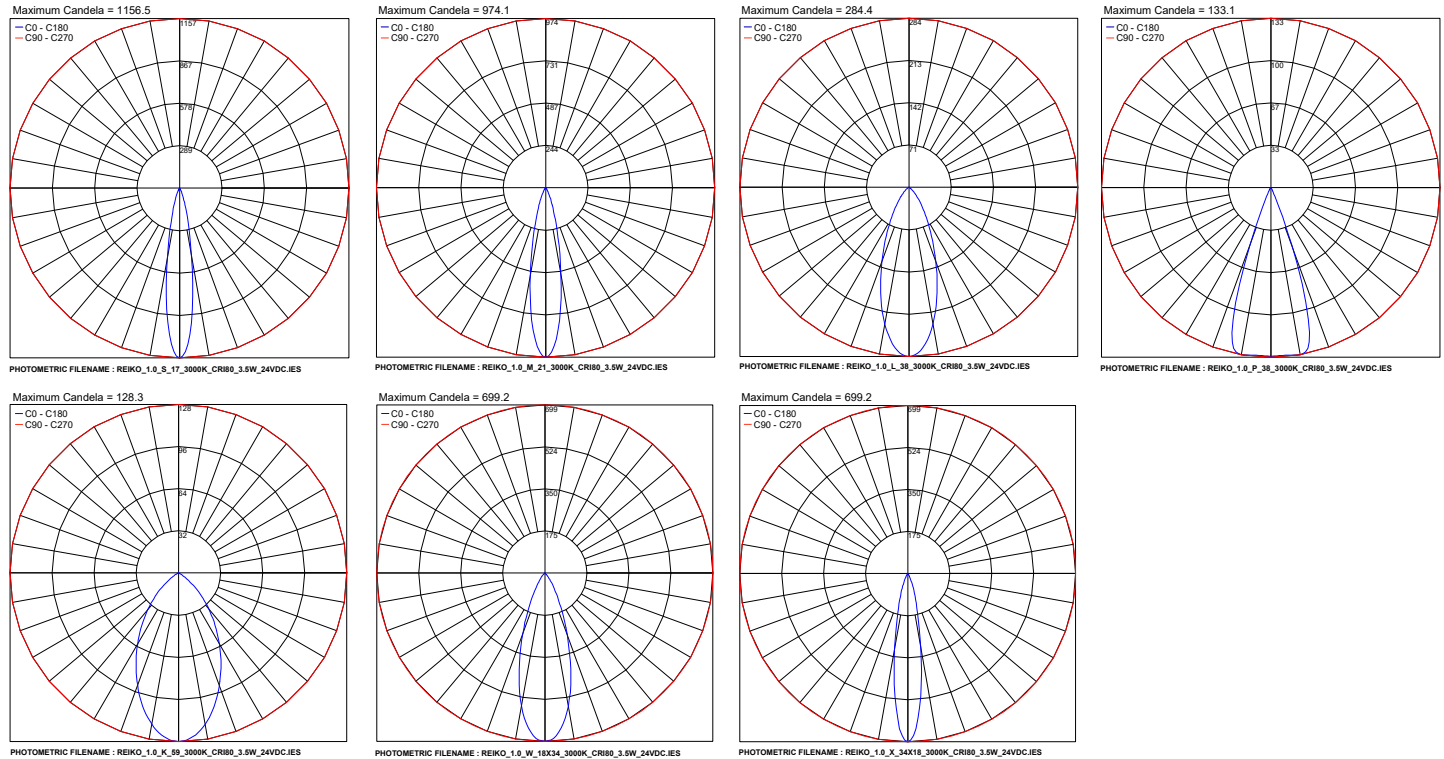
Fixture Type Designation:

## PHOTOMETRIC DATA - Note: all Photometry is 3000K

### CRI 80 - 2.5W



### CRI 80 - 3.5W

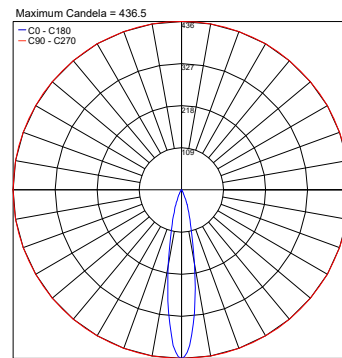
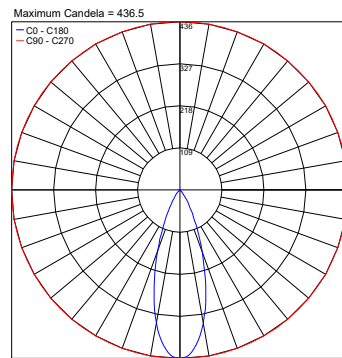
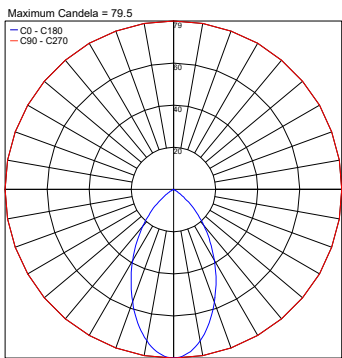
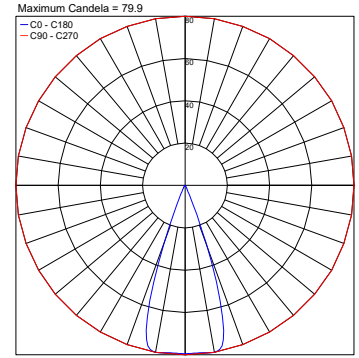
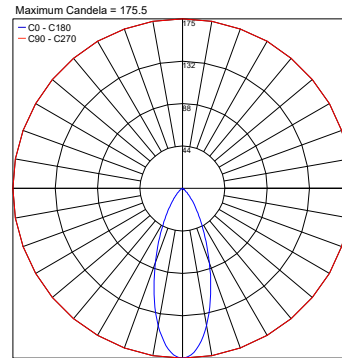
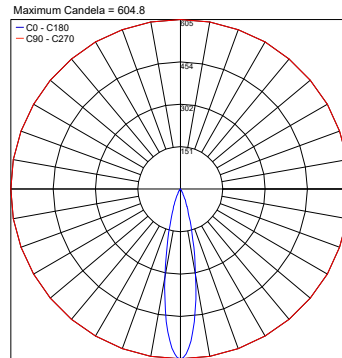
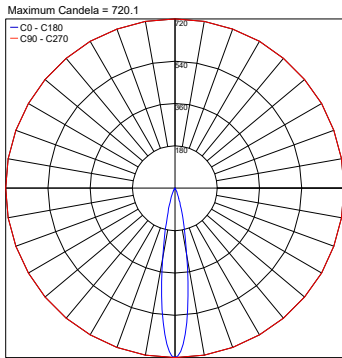


Job Name/Date:

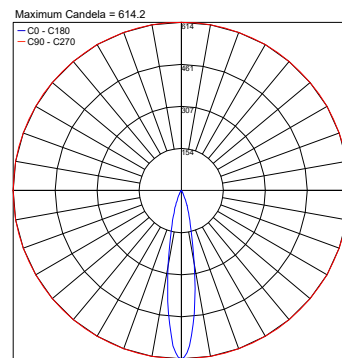
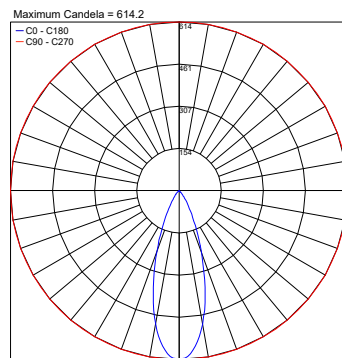
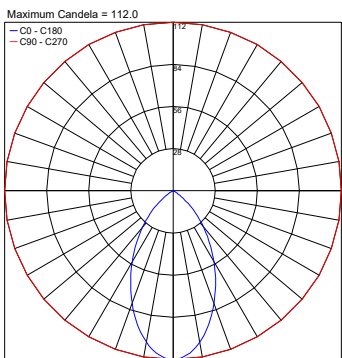
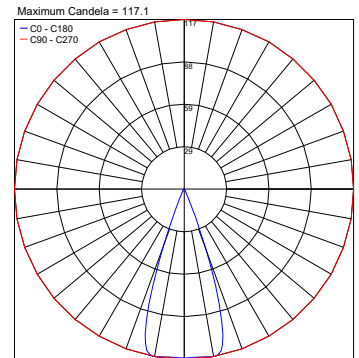
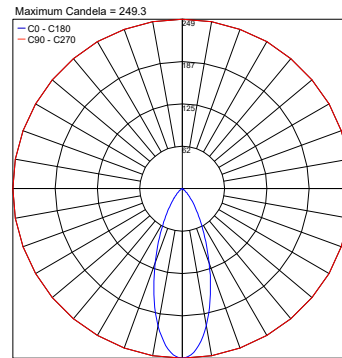
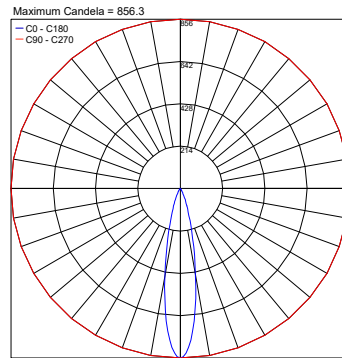
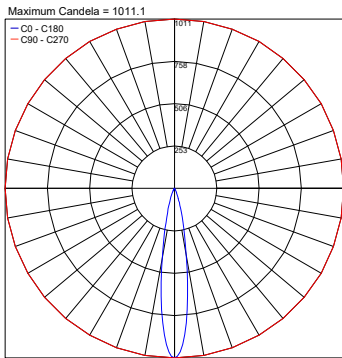
Fixture Type Designation:

## PHOTOMETRIC DATA - Note: all Photometry is 3000K

### CRI 90 - 2.5W



### CRI 90 - 3.5W



Job Name/Date:

Fixture Type Designation: