

REIKO 3.0

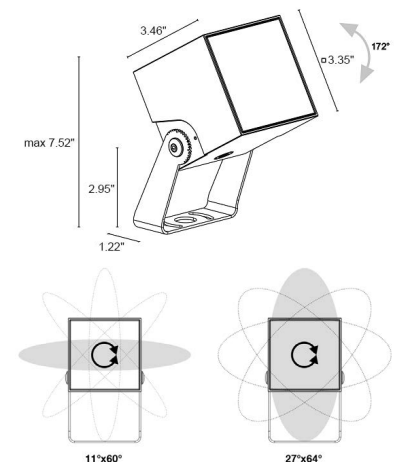
Reiko is a series of square outdoor projectors ideal for architectural lighting on details and facades as well as illuminating plants and trees in parks and gardens. They are available in a variety of light outputs, adjustable elliptical optics using a magnet (Reiko 3.0 and 4.0) and shadow-effect filter built into the sharp 32° optics on Reiko 3.0. Reiko 3.0 is the 3.4" square version.



TECHNICAL DATA

Wattage / Input	10W, 15W (24VDC)
Power Supply	Remote, not included. See page 2.
Construction	Body: Die-cast Aluminum Bracket: 316L Stainless Steel Lens: Serigraphed-gray and Tempered Extra-clear Glass
CCT	2700K, 3000K, 4000K
CRI	CRI 80, >90
BUG Rating	See IES Files
Delivered Lumens	See Delivered Lumens Chart
Efficacy	63.7-74.9 lm/W
Optics	8 Standard (see below)
Finishes	5 Standard, Custom RAL (see below)
Fixture Dimensions	3.35" x 3.35" x 3.46" l x 2.95" h (max 7.52" h fully extended) 0.98" wide bracket
Fixture Weight	
LED Source	1 COB LED; 7° Optics - 1 Power LED
Lumen Maintenance	L90, B10 >60,000hrs (Ta 25°C)
Color Consistency	2-Step MacAdam
Operating Temp.	-4°F to +122°F
IP Rating	IP66
Impact Rating	IK06

Fixture Dimensions



Delivered Lumens (3000K, 37°)	10W	15W
CRI 80	749 lm	1124 lm
CRI >90	637 lm	955 lm

ORDERING INFORMATION

Example: RK3001100150SE or RK3001100150SE-2. Accessories / Power Supplies ordered separately.

Model #	Wattage	CRI	Optical Acces.	CCT	Optics	Finish	Cable
RK300	1 - 10W 2 - 15W	0 - 80 1 - >90	000 - none 001 - Honeycomb 003 - Shadow Effect Filter <small>*Honeycomb Louver not available on adjustable OR sharp optics *Shadow Effect Filter ONLY available on adjustable OR sharp optics</small>	F0 - 27K 50 - 30K 90 - 40K	V - 7° (10W) S - 10° M - 30° P - 32° sharp* L - 37° K - 54° W - 11°x60°* X - 27°x64°*	H - Anthracite T - Cor-ten F - Grey 5 - Jasper Green E - White C - Custom RAL (consult factory for "C")	4.9' standard 1 - 16.4' 2 - 32.8' 3 - 49.2' 4 - 65.6'

Job Name/Date:

Fixture Type Designation:

SUGGESTED POWER SUPPLIES

10W - 24VDC

Part Number	Description	Input/Output	# of Fixtures
PPLT00680	ELV / TRIAC & 0-10V Dimming (100 to 0%)	120-277VAC to 24VDC, 12W, Class 2, IP66	1-3
PPLT00056	Non-Dim	120-277VAC to 24VDC, 26W, Class 2, IP66	1-2
PPLT00701	0-10V Dimming (Dim to Off)	120-277VAC to 24VDC, 50W, Class 2	1-8
PPLT00627	ELV / TRIAC & 0-10V Dimming (100 to 0%)	120-277VAC to 24VDC, 96W, Class 2, IP67	1-7
PPLT00284	Non-Dim	120-277VAC to 24VDC, 100W, Class 2, DAMP	1-8
PPLT00543	0-10V Dimming to 15% (-40°C / -40°F cold weather start)	120-277VAC to 24VDC, 100W, Class 2	1-8

Suggested Lutron Compatible

Part Number	Option	Lutron SKU	Dim Range	Description	Input/Output	# of Fixtures
PPLT00273	L3DAE / L3DA3W	L3DA	100%-1%	Hi-Lume™ 1% EcoSystem™ or 1% 3-Wire LED Driver	120-277VAC to 24VDC, 40W, Class 2	1-3
PPLT00530	L3DAE / L3DA3W	L3DA	100%-1%	Hi-Lume™ 1% EcoSystem™ or 1% 3-Wire LED Driver	120-277VAC to 24VDC, 96W, Class 2	1-7

SUGGESTED POWER SUPPLIES

15W - 24VDC

Part Number	Description	Input/Output	# of Fixtures
PPLT00680	0-10V Dimming (Dim to Off)	120-277VAC to 24VDC, 12W, Class 2	1-1
PPLT00056	Non-Dim	120-277VAC to 24VDC, 26W, Class 2, IP66	1-1
PPLT00586	Non-Dim	120-277VAC to 24VDC, 40W, Class 2	1-2
PPLT00599	ELV / TRIAC & 0-10V Dimming (100 to 0%)	120-277VAC to 24VDC, 96W, Class 2, IP20	1-5
PPLT00284	Non-Dim	120-277VAC to 24VDC, 100W, Class 2, DAMP	1-5
PPLT00543	0-10V Dimming to 15% (-40°C / -40°F cold weather start)	120-277VAC to 24VDC, 100W, Class 2	1-5

Suggested Lutron Compatible

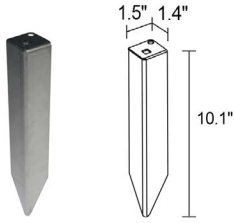
Part Number	Option	Lutron SKU	Dim Range	Description	Input/Output	# of Fixtures
PPLT00273	L3DAE / L3DA3W	L3DA	100%-1%	Hi-Lume™ 1% EcoSystem™ or 1% 3-Wire LED Driver	120-277VAC to 24VDC, 40W, Class 2	1-2
PPLT00530	L3DAE / L3DA3W	L3DA	100%-1%	Hi-Lume™ 1% EcoSystem™ or 1% 3-Wire LED Driver	120-277VAC to 24VDC, 96W, Class 2	1-5

For other power supply options consult factory.

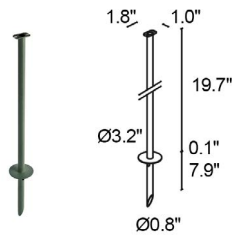
Job Name/Date:

Fixture Type Designation:

ACCESSORIES Installation



WP0100
Ground Spike
(Length 10.1")



WP1006
Ground Spike (19.7" length)

WP1007
Ground Spike (31.5" length)

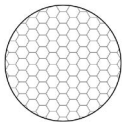


WP1004
Fastener Strap
(Length 16.4')

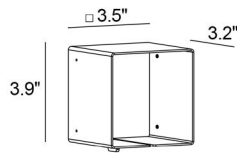


WF3302
Cable Protection Sheath
(Length 7.1")

ACCESSORIES Anti-Glare



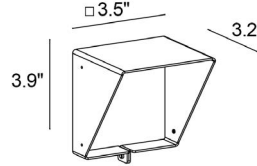
Add in the Ordering Code
Honeycomb Louvre
*NOT available for sharp
or adjustable optics.*



WBA12__
Standard Snoot

For Snoots include one of the below finishes:

- E** - White
- F** - Gray
- H** - Anthracite
- T** - Cor-ten
- 5** - Jasper Green
- C** - Custom RAL



WBA13__
Asymmetric Snoot

Filters



Add in the Ordering Code
Shadow Effect Filter
*ONLY available for sharp
or adjustable optics.*

Spare Parts



WE0201
Magnet
For adjustable optics and zoom lens

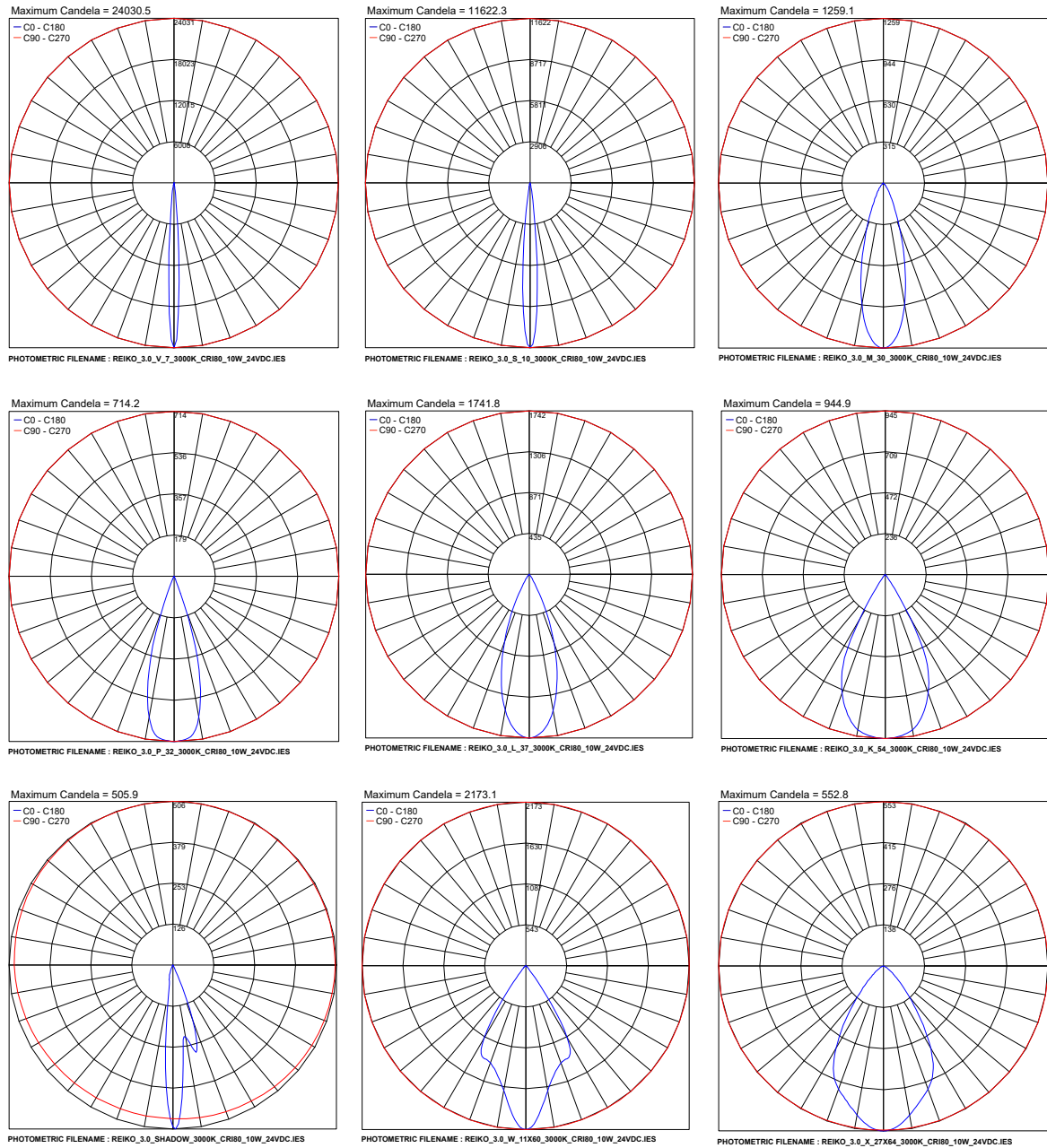
Job Name/Date:

Fixture Type Designation:

PHOTOMETRIC DATA

Note: all Photometry is 3000K

CRI 80 - 10W



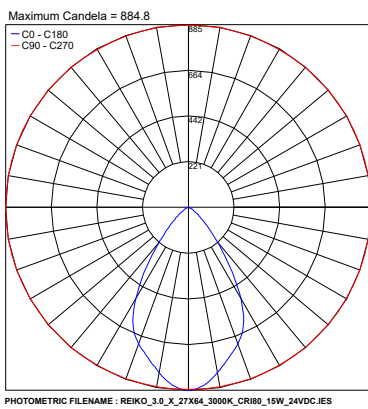
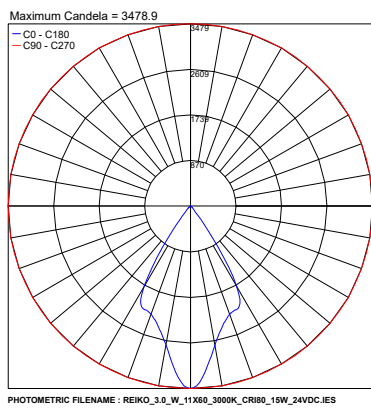
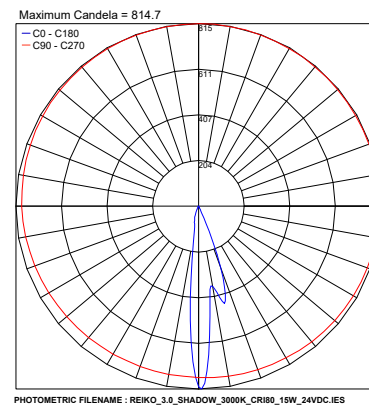
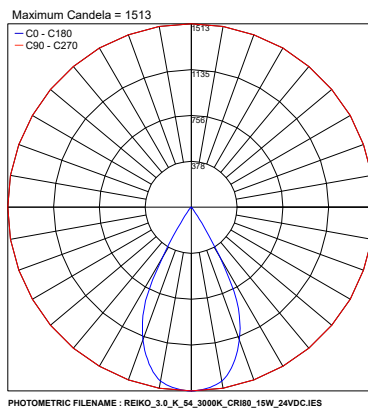
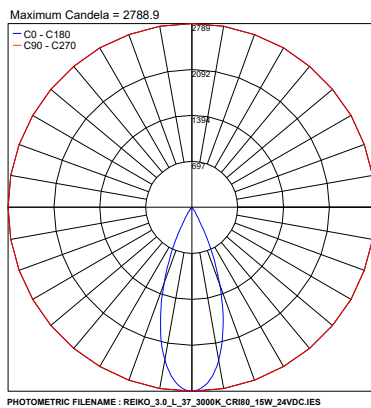
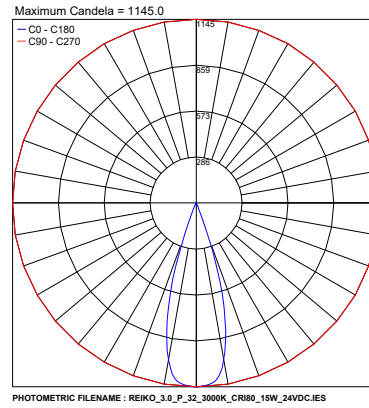
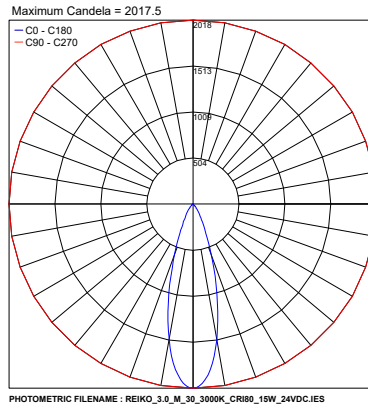
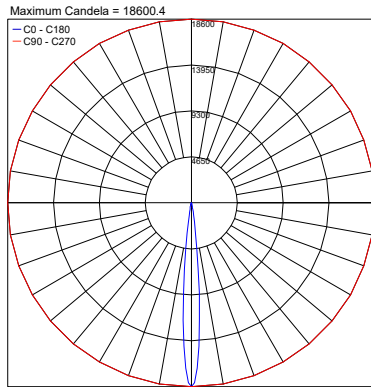
Job Name/Date:

Fixture Type Designation:

PHOTOMETRIC DATA

Note: all Photometry is 3000K

CRI 80 - 15W



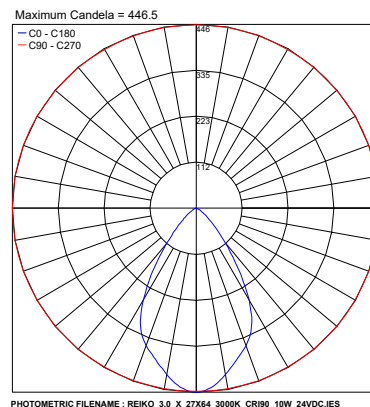
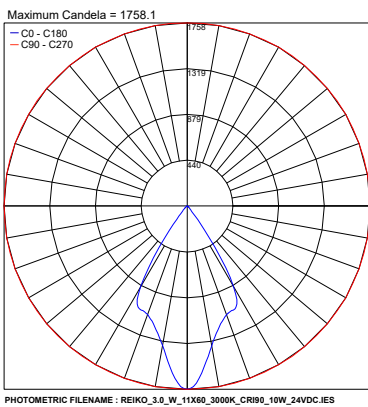
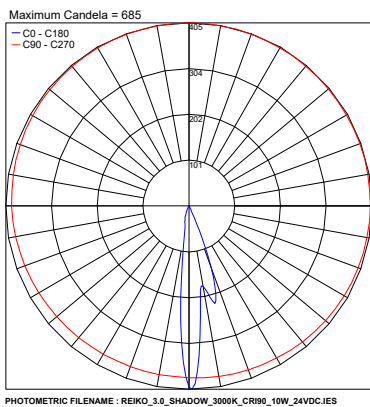
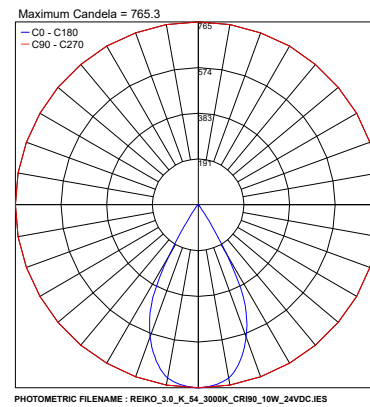
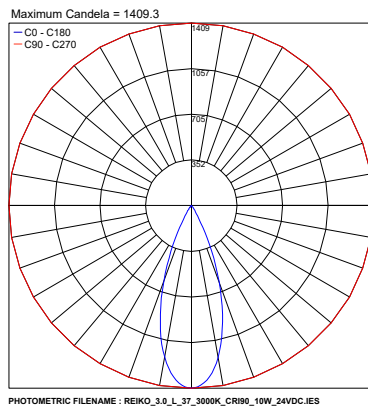
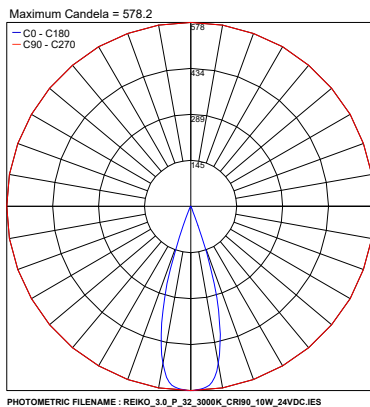
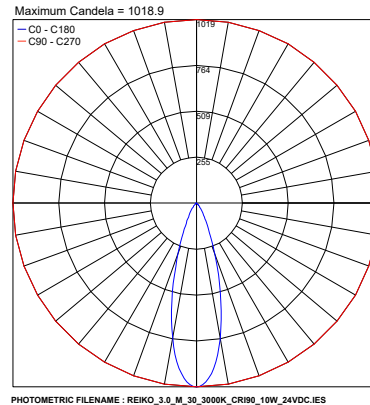
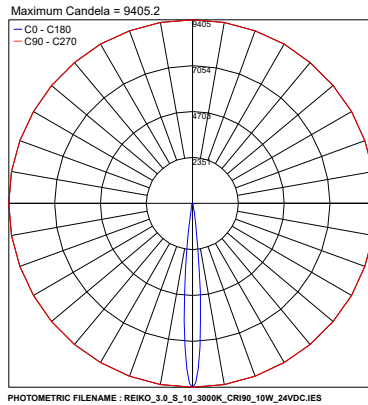
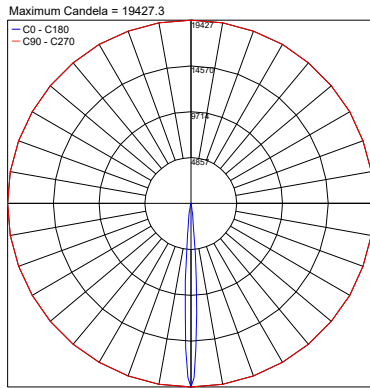
Job Name/Date:

Fixture Type Designation:

PHOTOMETRIC DATA

Note: all Photometry is 3000K

CRI 90 - 10W



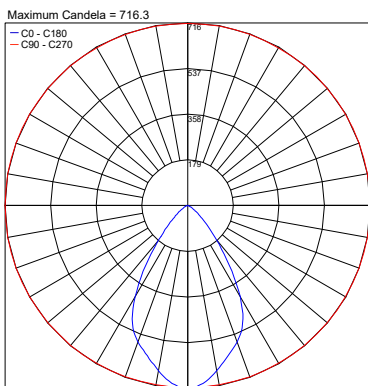
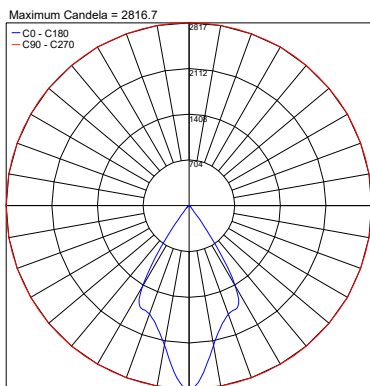
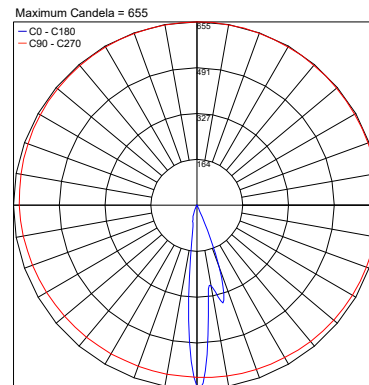
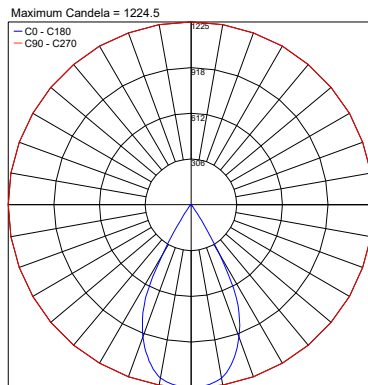
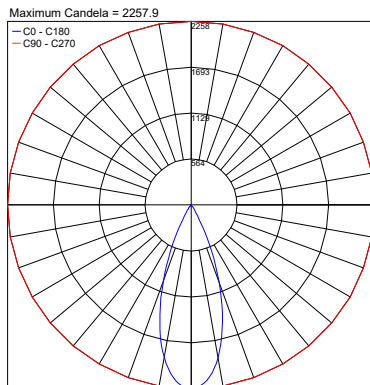
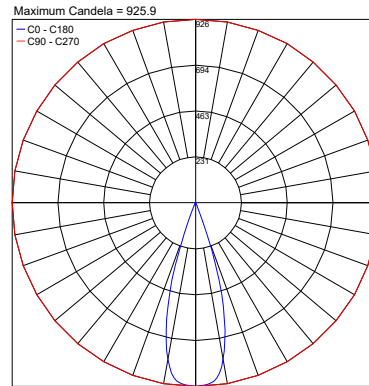
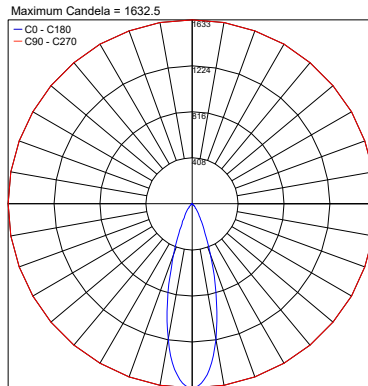
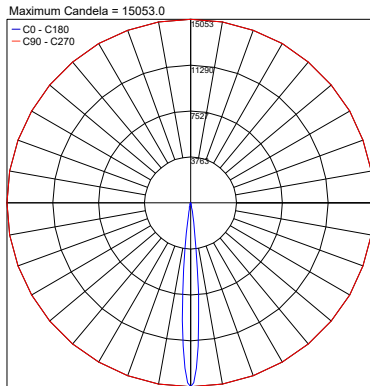
Job Name/Date:

Fixture Type Designation:

PHOTOMETRIC DATA

Note: all Photometry is 3000K

CRI 90 - 15W



Job Name/Date:

Fixture Type Designation: