

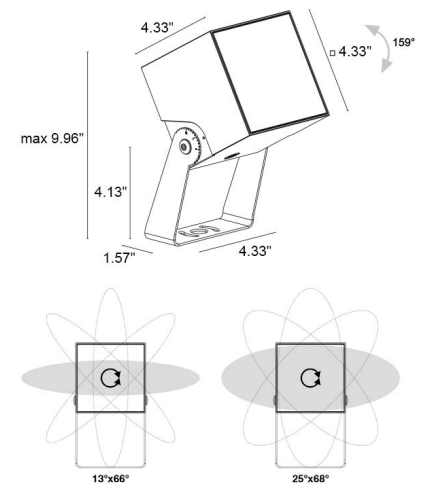
Reiko is a series of square outdoor projectors ideal for architectural lighting on details and facades as well as illuminating plants and trees in parks and gardens. They are available in a variety of light outputs, adjustable elliptical optics using a magnet (Reiko 3.0 and 4.0) and shadow-effect filter built into the sharp 32° optics on Reiko 3.0. Reiko 4.0 is the 4.3" square version.



## TECHNICAL DATA

<b>Wattage / Input</b>	25W (24VDC)
<b>Power Supply</b>	Remote, not included. See page 2.
<b>Construction</b>	Body: Die-cast Aluminum Bracket: 316L Stainless Steel Lens: Serigraphed-gray and Tempered Extra-clear Glass
<b>CCT</b>	2700K, 3000K, 4000K
<b>CRI</b>	CRI 80, >90
<b>BUG Rating</b>	See IES files
<b>Delivered Lumens</b>	1809 lm (3000K, 13°, 25W, CRI >90), 2128 lm (3000K, 13°, 25W, CRI 80)
<b>Efficacy</b>	63.7-74.9 lm/W
<b>Optics</b>	7 Standard (see below)
<b>Finishes</b>	5 Standard, Custom RAL (see below)
<b>Fixture Dimensions</b>	4.33" x 4.33" x 4.33" l x 4.13" h (max 9.96" h fully extended) 1.57" wide bracket
<b>Fixture Weight</b>	4.96 lbs
<b>LED Source</b>	1 COB LED
<b>Lumen Maintenance</b>	L90, B10 >60,000hrs (Ta 25°C)
<b>Color Consistency</b>	2-Step MacAdam
<b>Operating Temp.</b>	-4°F to +122°F
<b>IP Rating</b>	IP66
<b>Impact Rating</b>	IK06

## Fixture Dimensions



## ORDERING INFORMATION

Example: RK4000100150SE or RK4000100150SE-2. Accessories / Power Supplies ordered separately.

RK400	0						
Model #	Wattage	CRI	Optical Acces.	CCT	Optics	Finish	Cable
RK400	0 - 25W	0 - 80 1 - >90	000 - none 001 - Honeycomb <i>*Honeycomb Louver NOT available on adjustable OR sharp optics.</i>	F0 - 27K 50 - 30K 90 - 40K	S - 13° M - 27° P - 33° sharp* L - 38° K - 55° W - 13°x66°* X - 25°x68°*	H - Anthracite T - Cor-ten F - Grey 5 - Jasper Green E - White C - Custom RAL <i>(consult factory for "C")</i>	4.9' standard 1 - 16.4' 2 - 32.8' 3 - 49.2' 4 - 65.6'

Job Name/Date:

Fixture Type Designation:

## SUGGESTED POWER SUPPLIES

25W - 24VDC

Part Number	Description	Input/Output	# of Fixtures
<a href="#">PPLT00567</a>	Non-Dim	120-277VAC to 24VDC, 36W, Class 2	1-1
<a href="#">PPLT00690</a>	ELV / TRIAC & 0-10V Dimming	120-277VAC to 24VDC, 40W, Class 2, IP67	1-1
<a href="#">PPLT00627</a>	ELV / TRIAC & 0-10V Dimming (100 to 0%)	120-277VAC to 24VDC, 96W, Class 2, IP67	1-3
<a href="#">PPLT00284</a>	Non-Dim	120-277VAC to 24VDC, 100W, Class 2, DAMP	1-3
<a href="#">PPLT00543</a>	0-10V Dimming to 15% (-40°C / -40°F cold weather start)	120-277VAC to 24VDC, 100W, Class 2	1-3

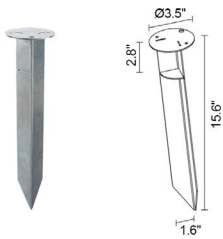
## Suggested Lutron Compatible

Part Number	Option	Lutron SKU	Dim Range	Description	Input/Output	# of Fixtures
<a href="#">PPLT00273</a>	L3DAE / L3DA3W	L3DA	100%-1%	Hi-Lume™ 1% EcoSystem™ or 1% 3-Wire LED Driver	120-277VAC to 24VDC, 40W, Class 2	1-1
<a href="#">PPLT00530</a>	L3DAE / L3DA3W	L3DA	100%-1%	Hi-Lume™ 1% EcoSystem™ or 1% 3-Wire LED Driver	120-277VAC to 24VDC, 96W, Class 2	1-3

For other power supply options consult factory.

## ACCESSORIES

### Installation



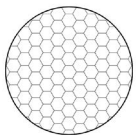
**WP0300**  
Ground Spike

### Spare Parts



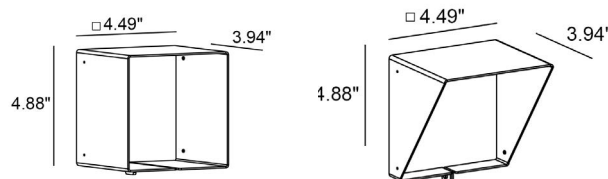
**WE0201**  
Magnet  
For adjustable optics and zoom lens

### Anti-Glare



#### Add in the Ordering Code

Honeycomb Louvre  
NOT available for sharp  
or adjustable optics.



**WBA14**\_\_\_\_  
Standard Snoot

**WBA15**\_\_\_\_  
Asymmetric Snoot

For Snoots include one of the below finishes:

- E** - White
- F** - Gray
- H** - Anthracite
- T** - Cor-ten
- 5** - Jasper Green
- C** - Custom RAL

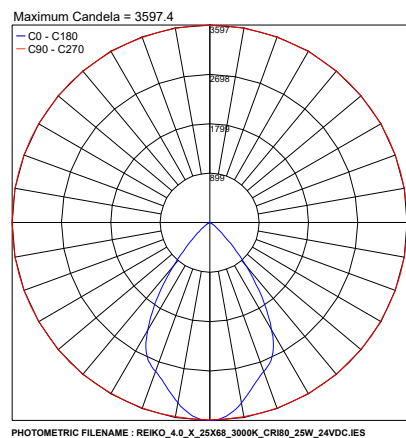
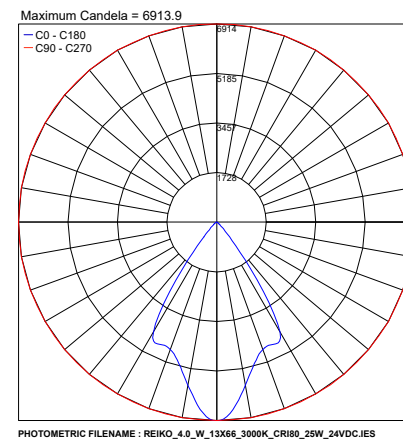
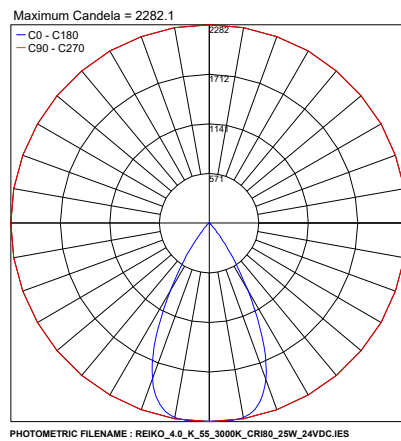
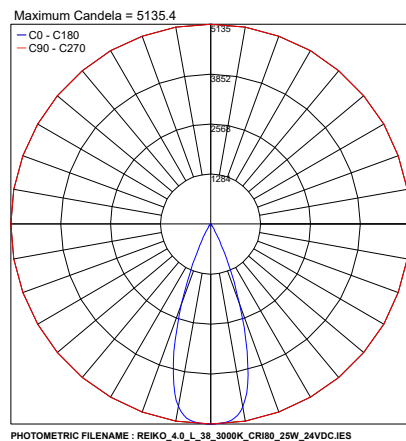
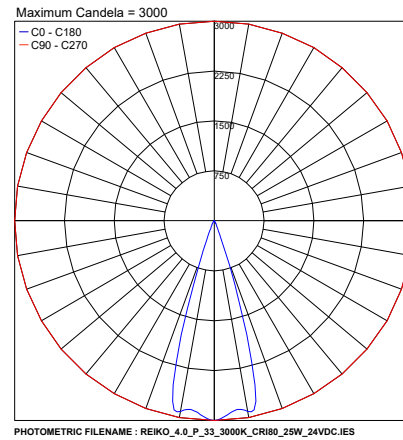
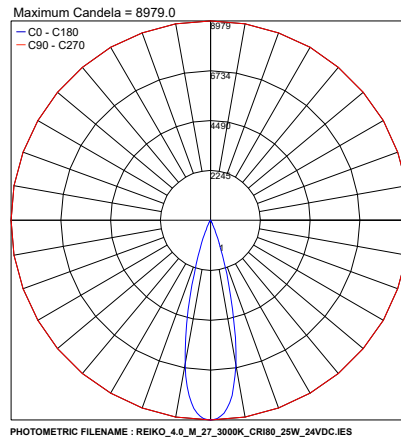
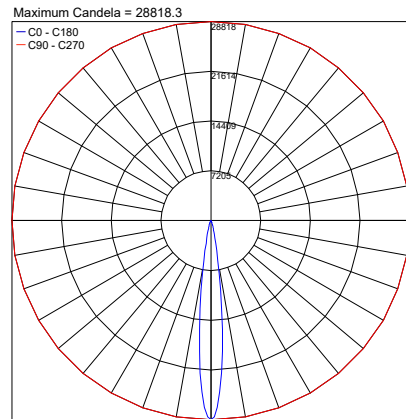
Job Name/Date:

Fixture Type Designation:

## PHOTOMETRIC DATA

Note: all Photometry is 3000K

### CRI 80 - 25W



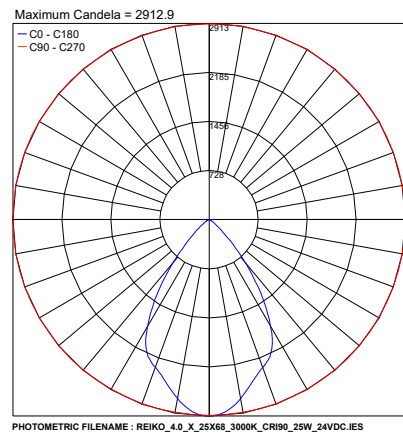
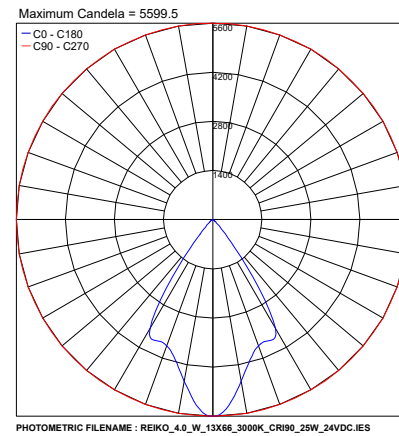
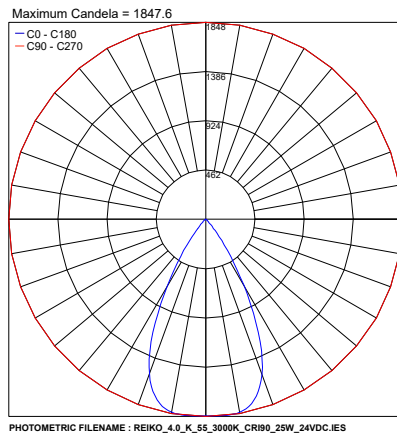
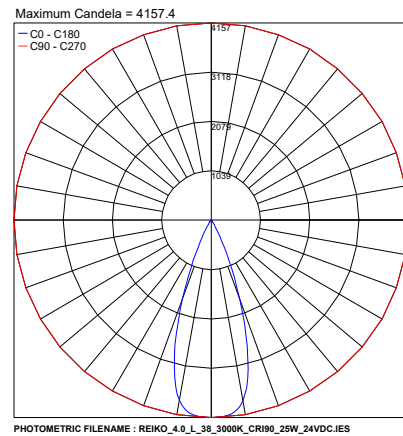
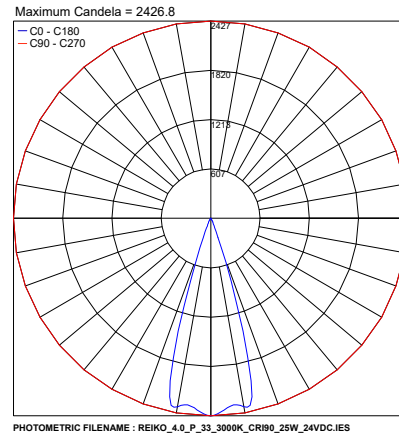
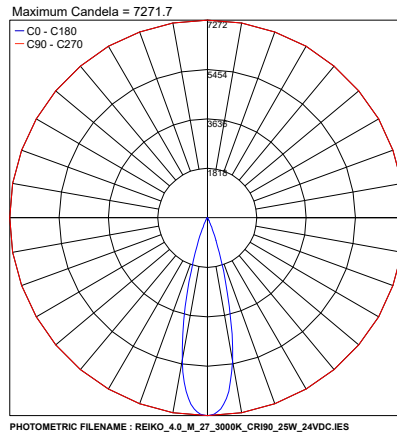
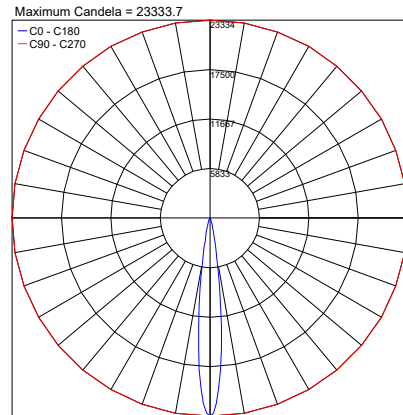
Job Name/Date:

Fixture Type Designation:

## PHOTOMETRIC DATA

Note: all Photometry is 3000K

### CRI 90 - 25W



Job Name/Date:

Fixture Type Designation: