

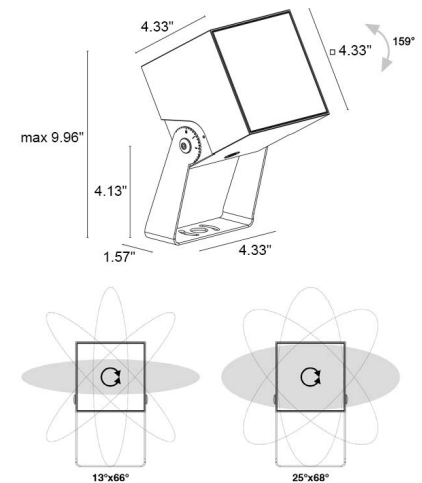
Reiko is a series of square outdoor projectors ideal for architectural lighting on details and facades as well as illuminating plants and trees in parks and gardens. They are available in a variety of light outputs, adjustable elliptical optics using a magnet (Reiko 3.0 and 4.0) and shadow-effect filter built into the sharp 32° optics on Reiko 3.0. Reiko 4.0 is the 4.3" square version.



TECHNICAL DATA

Wattage / Input	25W (24VDC)
Power Supply	Remote, not included. See page 2.
Construction	Body: Die-cast Aluminum Bracket: 316L Stainless Steel Lens: Serigraphed-gray and Tempered Extra-clear Glass
CCT	2700K, 3000K, 4000K
CRI	CRI 80, >90
BUG Rating	See IES files
Delivered Lumens	1809 lm (3000K, 13°, 25W, CRI >90), 2128 lm (3000K, 13°, 25W, CRI 80)
Efficacy	63.7-74.9 lm/W
Optics	7 Standard (see below)
Finishes	5 Standard, Custom RAL (see below)
Fixture Dimensions	4.33" x 4.33" x 4.33" l x 4.13" h (max 9.96" h fully extended) 1.57" wide bracket
Fixture Weight	
LED Source	1 COB LED
Lumen Maintenance	L90, B10 >60,000hrs (Ta 25°C)
Color Consistency	2-Step MacAdam
Operating Temp.	-4°F to +122°F
IP Rating	IP66
Impact Rating	IK06

Fixture Dimensions



ORDERING INFORMATION

Example: RK4000100150SE or RK4000100150SE-2. Accessories / Power Supplies ordered separately.

RK400	0						
Model #	Wattage	CRI	Optical Acces.	CCT	Optics	Finish	Cable
RK400	0 - 25W	0 - 80 1 - >90	000 - none 001 - Honeycomb <i>*Honeycomb Louver not available on adjustable OR sharp optics.</i>	F0 - 27K 50 - 30K 90 - 40K	S - 13° M - 27° P - 33° sharp* L - 38° K - 55° W - 13°x66°* X - 25°x68°*	H - Anthracite T - Cor-ten F - Grey 5 - Jasper Green E - White C - Custom RAL <i>(consult factory for "C")</i>	4.9' standard 1 - 16.4' 2 - 32.8' 3 - 49.2' 4 - 65.6'

Job Name/Date:

Fixture Type Designation:

SUGGESTED POWER SUPPLIES

25W - 24VDC

Part Number	Description	Input/Output	# of Fixtures
PPLT00567	Non-Dim	120-277VAC to 24VDC, 36W, Class 2	1-1
PPLT00690	ELV / TRIAC & 0-10V Dimming	120-277VAC to 24VDC, 40W, Class 2, IP67	1-1
PPLT00627	ELV / TRIAC & 0-10V Dimming (100 to 0%)	120-277VAC to 24VDC, 96W, Class 2, IP67	1-3
PPLT00284	Non-Dim	120-277VAC to 24VDC, 100W, Class 2, DAMP	1-3
PPLT00543	0-10V Dimming to 15% (-40°C / -40°F cold weather start)	120-277VAC to 24VDC, 100W, Class 2	1-3

Suggested Lutron Compatible

Part Number	Option	Lutron SKU	Dim Range	Description	Input/Output	# of Fixtures
PPLT00273	L3DAE / L3DA3W	L3DA	100%-1%	Hi-Lume™ 1% EcoSystem™ or 1% 3-Wire LED Driver	120-277VAC to 24VDC, 40W, Class 2	1-1
PPLT00530	L3DAE / L3DA3W	L3DA	100%-1%	Hi-Lume™ 1% EcoSystem™ or 1% 3-Wire LED Driver	120-277VAC to 24VDC, 96W, Class 2	1-3

For other power supply options consult factory.

ACCESSORIES

Installation



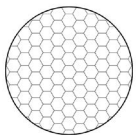
WP0300
Ground Spike

Spare Parts



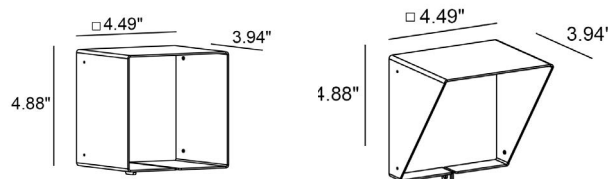
WE0201
Magnet
For adjustable optics and zoom lens

Anti-Glare



Add in the Ordering Code

Honeycomb Louvre
NOT available for sharp
or adjustable optics.



WBA14
Standard Snoot

WBA15
Asymmetric Snoot

For Snoots include one of the below finishes:

- E** - White
- F** - Gray
- H** - Anthracite
- T** - Cor-ten
- 5** - Jasper Green
- C** - Custom RAL

Job Name/Date:

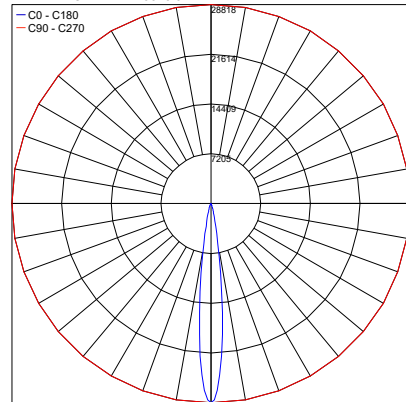
Fixture Type Designation:

PHOTOMETRIC DATA

Note: all Photometry is 3000K

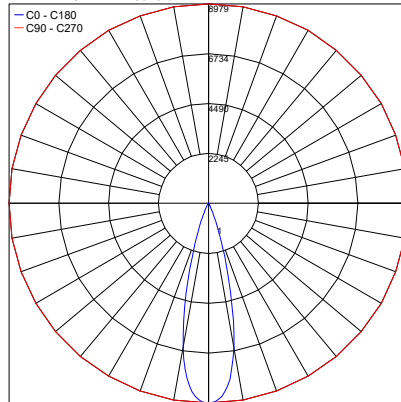
CRI 80 - 25W

Maximum Candela = 28818.3



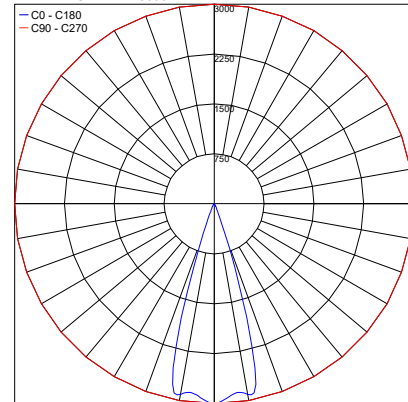
PHOTOMETRIC FILENAME : REIKO_4.0_S_13_3000K_CRI80_25W_24VDC.IES

Maximum Candela = 8979.0



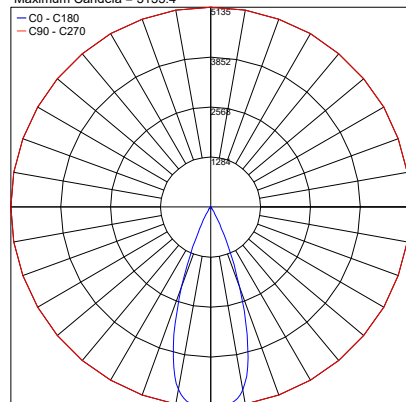
PHOTOMETRIC FILENAME : REIKO_4.0_M_27_3000K_CRI80_25W_24VDC.IES

Maximum Candela = 3000



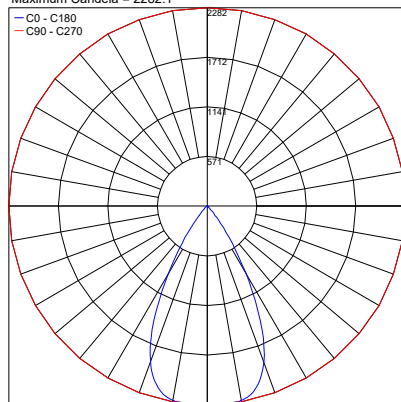
PHOTOMETRIC FILENAME : REIKO_4.0_P_33_3000K_CRI80_25W_24VDC.IES

Maximum Candela = 5135.4



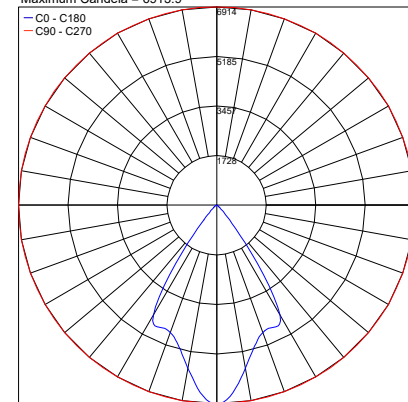
PHOTOMETRIC FILENAME : REIKO_4.0_L_38_3000K_CRI80_25W_24VDC.IES

Maximum Candela = 2282.1



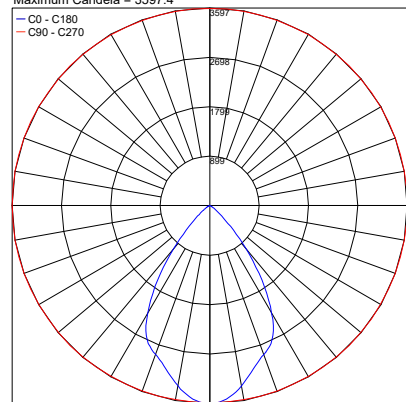
PHOTOMETRIC FILENAME : REIKO_4.0_K_55_3000K_CRI80_25W_24VDC.IES

Maximum Candela = 6913.9



PHOTOMETRIC FILENAME : REIKO_4.0_W_13X66_3000K_CRI80_25W_24VDC.IES

Maximum Candela = 3597.4



PHOTOMETRIC FILENAME : REIKO_4.0_X_25X68_3000K_CRI80_25W_24VDC.IES

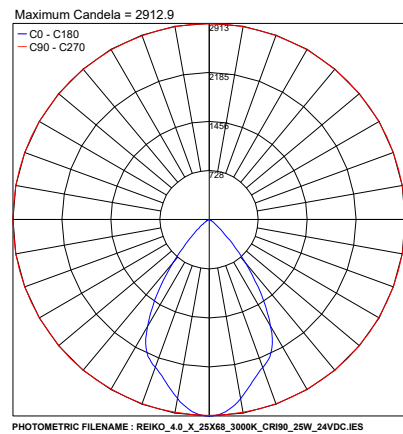
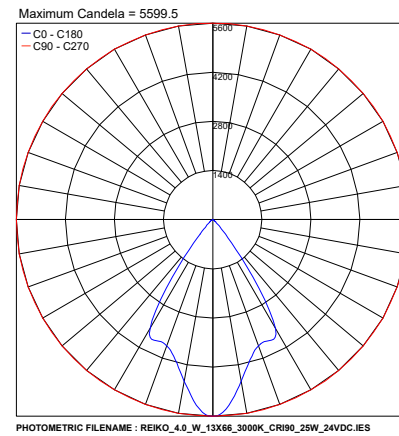
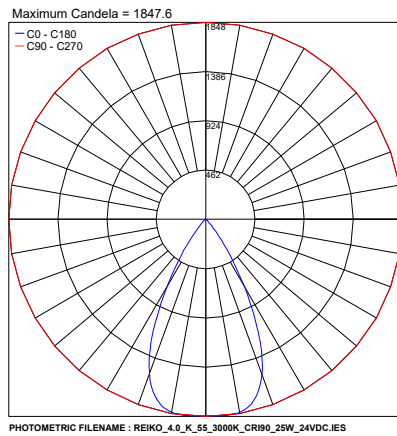
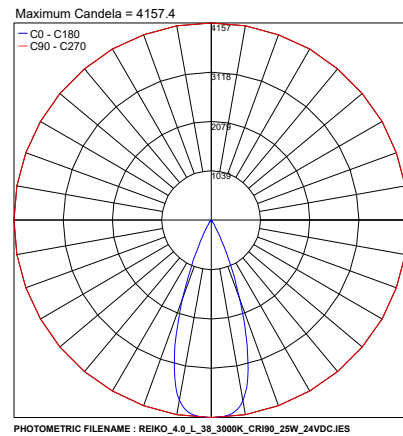
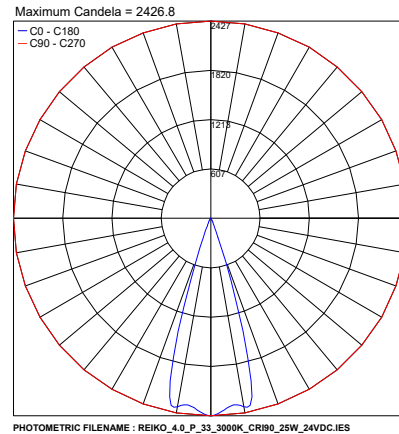
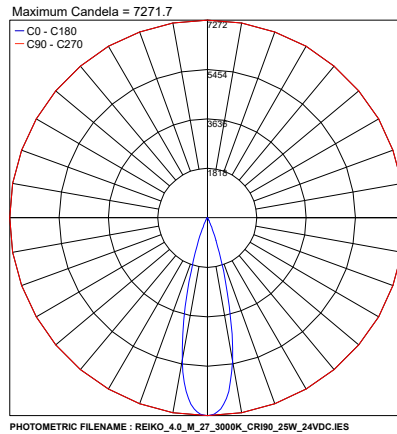
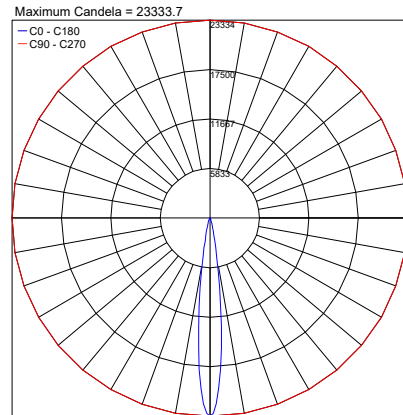
Job Name/Date:

Fixture Type Designation:

PHOTOMETRIC DATA

Note: all Photometry is 3000K

CRI 90 - 25W



Job Name/Date:

Fixture Type Designation: