



POOL & FOUNTAIN LIGHT

CHANGE 
YOUR LIGHT

inspired by nature

designplan[®] 

79 Trenton Avenue
Frenchtown, NJ 08825

www.designplan.com

Tel: (908) 996-7710
Fax: (908) 996-7042

LED ITALY SRL

A new concept of lighting

We are led manufacturers in Italy, a team of artisans of the light with a strong propensity to new technologies. Unlike other manufacturers, we can create Italian led strips and LED projects Made in Italy unique and tailored to ensure, to architects and light designers or flexible design and production. This means for you that you can develop, along with our team of architects, your customized Led project and see it done quickly.

OUR MISSION

is create the perfect solution for you!

We are an Italian company and we take care of design and manufacture for LED lighting. All our LED products, such as strip and outdoor profiles and for interior, they are all extremely customizable and 100% Made in Italy.

16k

TOTAL ACHIEVEMENTS

170k

CATALOG PRODUCTS

1900

KM OF STRIP LED PRODUCED



A “MADE IN ITALY” REALITY

We have exported our know-how to the world becoming a point of reference for the lighting sector. We are recognized by the Institute for the protection of Italian producers with the 100% certificate original Italian quality. Today the company has an ISO 9001-2015 and ISO 14001-2015 certified quality and environmental management system by the international certification body Bureau Veritas.



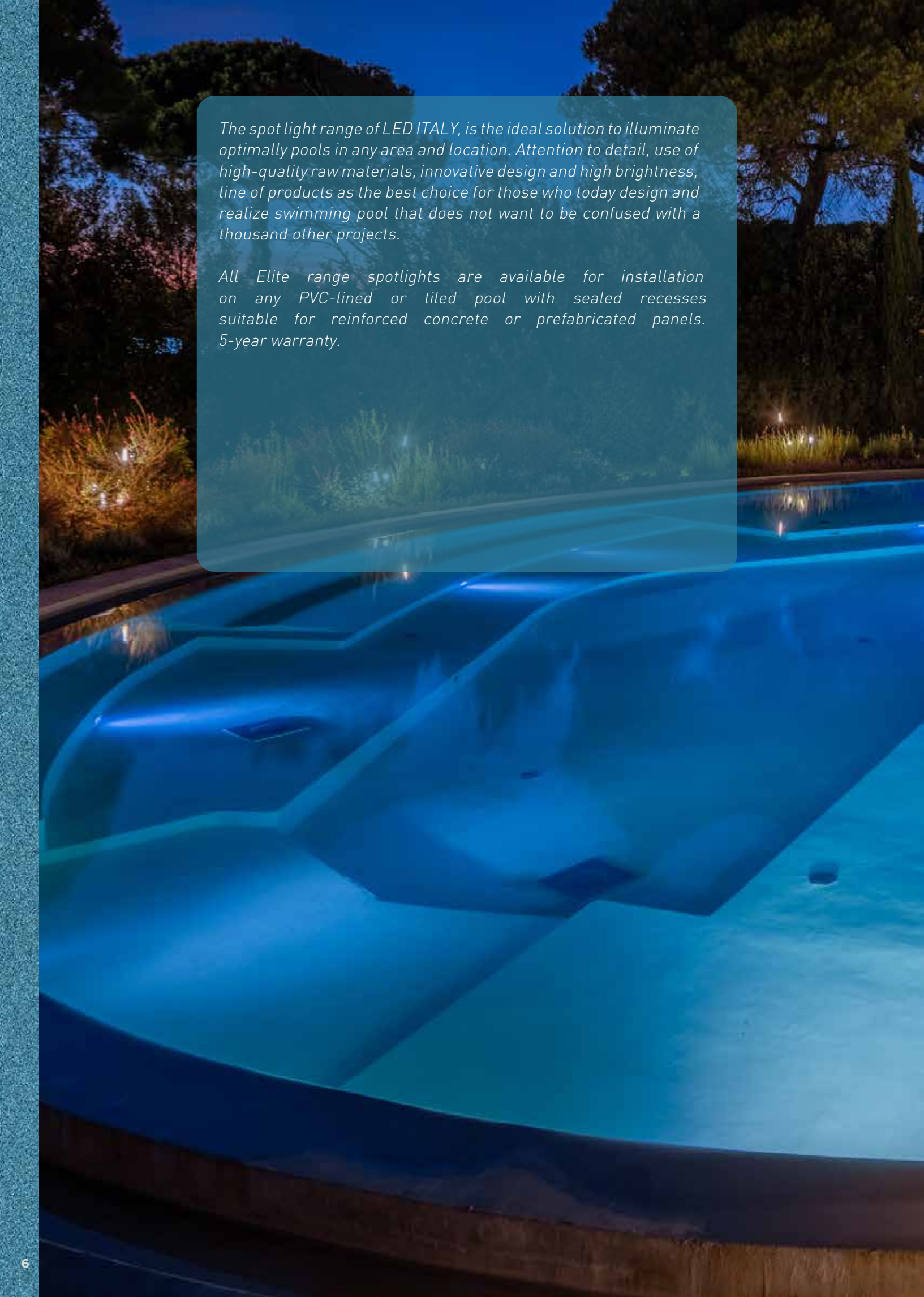
LED ITALY SRL

A new concept of lighting

Talking about swimming pools means talking about emotions, design, and quality. It's not just water and structures: it's the harmony of materials, proportions, and above all, light. The edge, the covering, and the lighting system aren't just details: they become key players, elements that transform an architectural project into a work of style and character.

This is where LED ITALY makes the difference: each of our products is more than just lighting, but a true design accent, designed to enhance the beauty and uniqueness of every pool. With our solutions, light becomes emotion, enhancing spaces, and making what would otherwise be ordinary exclusive.

Our job is not simply to sell a product, but to convey the power of an aesthetic idea that is reflected in the entire project. We don't just offer lamps, we offer a different way to experience the pool, to tell its story, and to make it unforgettable.



The spot light range of LED ITALY, is the ideal solution to illuminate optimally pools in any area and location. Attention to detail, use of high-quality raw materials, innovative design and high brightness, line of products as the best choice for those who today design and realize swimming pool that does not want to be confused with a thousand other projects.

All Elite range spotlights are available for installation on any PVC-lined or tiled pool with sealed recesses suitable for reinforced concrete or prefabricated panels. 5-year warranty.

POOL LIGHT

SPOTLIGHT LINEA ELITE



MOD. SQUID



IP68

IK10



COVERING



20 / 25 mq

Standard version with 120° optics



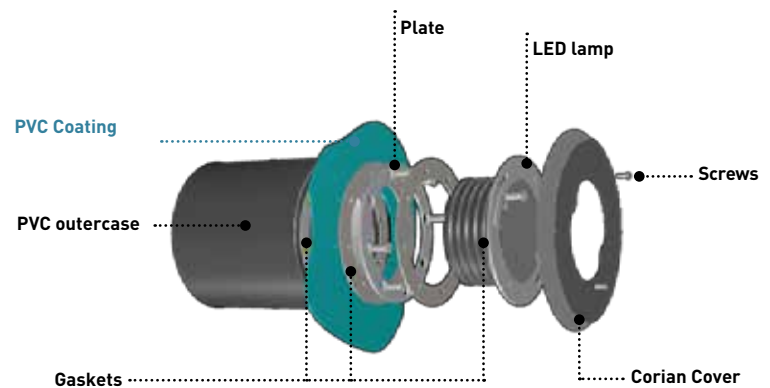
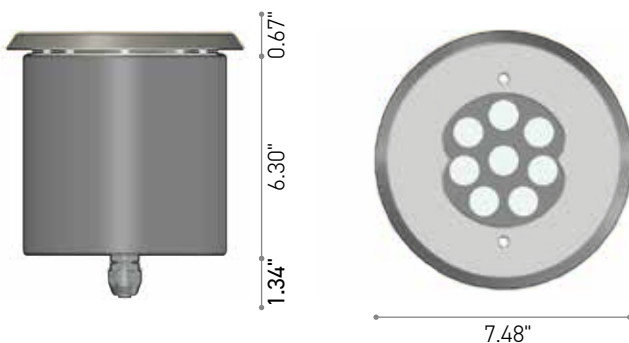
On request Black version with 8°, 30°, 45° or 10x60° optics



POOL TYPE: panel / reinforced concrete with tiles / PVC


Circular spotlight with high luminous performance, ideal for any application on pools with vinyl coating or tile. No Air System and Pool Vision Optics. 24VDC power supply. CRI 80. Supplied with PVC outer case and/or corian or stainless steel cover, gaskets and screws. Available version of outer case for prefabricated pools in steel or plastic material. Cable length 32.8' (10m) included. Power supply not included. 5 Year warranty. Cover in Corian available in 6 colors :white, sand, light blue, grey, anthracite, black.

BODY in technopolymer | ADJUSTABLE FIXING PLATE in AISI316L stainless steel




FIXED COLOR version

Code	LED color	lumen	W	Voltage	Optic
SQD- W .24.68.X.2	3000K	1500	13	24VDC	8°-30°-45°- 10x60°-120°
SQD- N .24.68.X.2	4000K	1530			
SQD- C .24.68.X.2	5000K	1590			

 Cable length 32.8' (10m) - 2x0.5mm²

TUNABLE WHITE version


Code	LED color	lumen	W	Voltage	Optic
SQD- TW .24.68.X.2	3000-5000K	1500	13	24VDC	8°-30°-45°- 10x60°-120°

 Cable length 32.8' (10m) - 4x0.5mm²

VARIABLE COLOR version

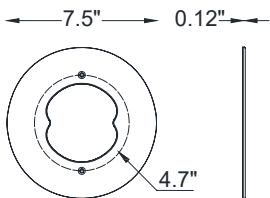
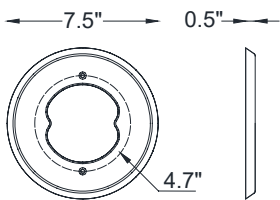
Code	LED color	lumen	W	Voltage	Optic
SQD- RGBW .24.68.X.2	RGBW	720	12	24VDC	8°-30°-45°- 10x60°-120°

X= Optic (S=8°, M=30°, MS=45°, FL=120°, AS=10x60°)

 Cable length 32.8' (10m) - 5x0.5mm²



COVER



Corian Cover

White
Cod. SQD-FL-WC



Sand
Cod. SQD-FL-SC



Grey
Cod. SQD-FL-GC



Black
Cod. SQD-FL-BC



Anthracite
Cod. SQD-FL-AC



Light Blue
Cod. SQD-FL-CC



Steel Cover

Steel
Cod. SQD-FL-T



Only suitable for application on tiled pools

OUTERCASE



Fully watertight PVC outer case for reinforced concrete + PVC or tiles. Includes cable gland and space for cable management.

Cod. SQD-NC



Fully watertight PVC outer case for prefabricated panel. Includes cable gland and space for cable management.

Cod. SQD-NC-PL

MOD. MINI SQUID

IP68

IK10



COVERING



Standard version with 120° optics



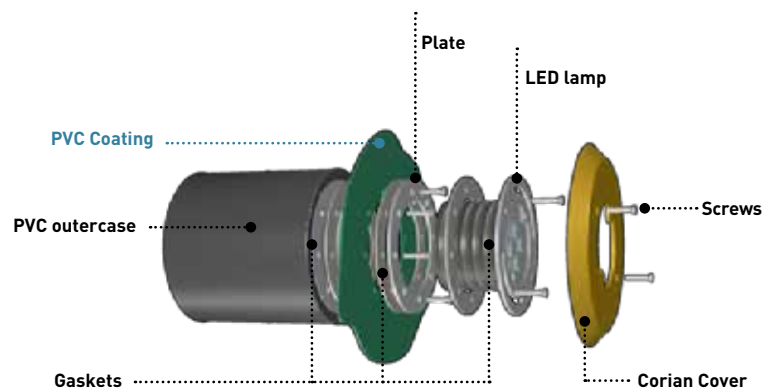
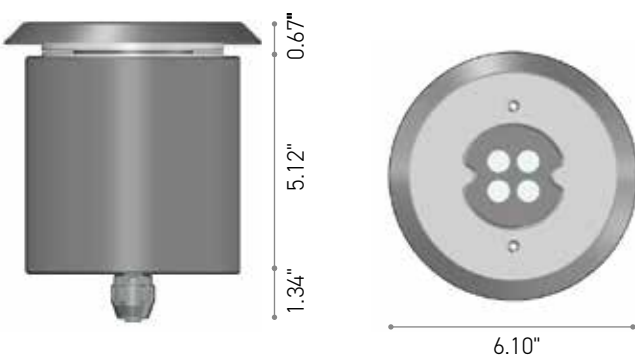
On request Black version with 8°, 30°, 45° or 10x60° optics



POOL TYPE: panel / reinforced concrete with tiles / PVC


Circular spotlight with high luminous performance and compact size, ideal for any application on pools with vinyl coating or tile. System No Air and Optical Pool Vision. 24VDC power supply. CRI80. Supplied with PVC outercase and corian or stainless steel cover, gaskets and screws. Available version of outercase for prefabricated swimming pools in steel or plastic material. Cable length 32.8' (10m) included. Power supply not included. Warranty 5 Years. Corian cover available in 6 colours: white, sand, light blue, grey, anthracite, black.

BODY in technopolymer | ADJUSTABLE FIXING PLATE in AISI316L stainless steel




FIXED COLOR version

Code	LED color	lumen	W	Voltage	Optic
MSQ- W .24.68.X.2	3000K	760	7	24VDC	8°-30°-45°- 10x60°-120°
MSQ- N .24.68.X.2	4000K	800			
MSQ- C .24.68.X.2	5000K	830			

 Cable length 32.8 ft (10m) - 2x0.5mm²

TUNABLE WHITE version


Code	LED color	lumen	W	Voltage	Optic
MSQ- TW .24.68.X.2	3000-5000K	760	7	24VDC	8°-30°-45°- 10x60°-120°

 Cable length 32.8 ft (10m) - 4x0.5mm²

VARIABLE COLOR version

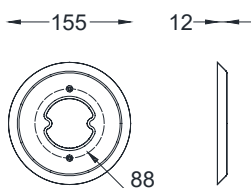
Code	LED color	lumen	W	Voltage	Optic
MSQ- RGBW .24.68.X.2	RGBW	600	10	24VDC	8°-30°-45°- 10x60°-120°

X= Optic (S=8°, M=30°, MS=45°, FL=120°, AS=10x60°)

 Cable length 32.8 ft (10m) - 5x0.5mm²



COVER



Corian Cover

White
Cod. MSQ-FL-WC



Sand
Cod. MSQ-FL-SC



Grey
Cod. MSQ-FL-GC



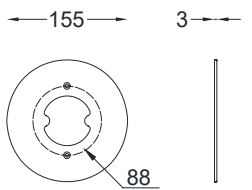
Black
Cod. MSQ-FL-BC



Anthracite
Cod. MSQ-FL-AC



Light Blue
Cod. MSQ-FL-CC



Steel Cover

Steel
Cod. MSQ-FL-T



Only suitable for application on tiled pools

OUTERCASE



Fully watertight PVC outer case for reinforced concrete + PVC or tiles. Includes cable gland and space for cable management.

Cod. MSQ-NC



Fully watertight PVC outer case for prefabricated panel. Includes cable gland and space for cable management.

Cod. MSQ-NC-PL

MOD. MICRO SQUID



IP68

IK10

RECESSED

DIMMABLE

COVERING



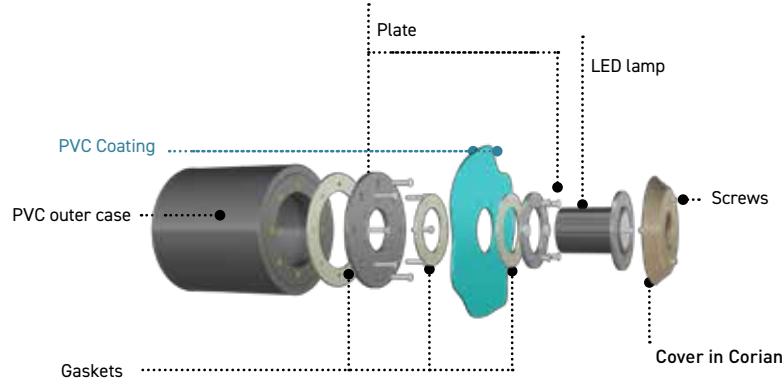
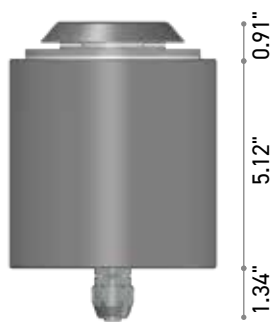
5 mq



POOL TYPE: panel / reinforced concrete with tiles / PVC

Circular spotlight with high luminous performance and ultra compact size, ideal for any application on pools with vinyl coating or tile. System No Air and Optical Pool Vision. 12-24VDC power supply. CRI80. Supplied with PVC outer case and corian cover, gaskets and screws. Available version of outer case for prefabricated swimming pools in steel or plastic material or 2" non-sealed PVC outer case. Cable length 10m included. Power supply not included. Warranty 5 Years. Corian cover available in 6 colors: white, sand, light blue, grey, anthracite, black.

BODY in technopolymer | ADJUSTABLE FIXING PLATE in AISI316L stainless steel



FIXED COLOR version

Code	LED color	lumen	W	Voltage	Optic
MIC- W .24.68.FL.2	3000K	105	2	24VDC	120°
MIC- N .24.68.FL.2	4000K	130			
MIC- C .24.68.FL.2	5000K	135			

 Cable length 32.8 ft (10m) - 2x0.5mm²

VARIABLE COLOR version

Code	LED color	lumen	W	Voltage	Optic
MIC- RGBW .12.68.FL.2	RGBW	75	2	12VDC	120°

 Cable length 32.8 ft (10m) - 5x0.5mm²



COVER

Corian Cover

← 3.5" → 0.5" →



White
Cod. MCS-FL-WC



Sand
Cod. MCS-FL-SC



Grey
Cod. MCS-FL-GC



Black
Cod. MCS-FL-BC



Anthracite
Cod. MCS-FL-AC



Light Blue
Cod. MCS-FL-CC



OUTERCASE



Fully watertight PVC outer case for reinforced concrete + PVC or tiles. Includes cable gland and space for cable management.

Cod. MIC-NC



Fully watertight PVC outer case for prefabricated panel. Includes cable gland and space for cable management.

Cod. MIC-NC-PL



2" No-Sealed PVC outer case
Complete the floor seal using the specific kit.

Cod. MIC-NC-NT



Floor seal kit consisting of wall pass, fittings, 32.8 ft (10m) of semi-rigid pipe 82.0 in (Ø25m) and steel sealing cable gland

Cod. KIT-TNT-SPO-10M

MOD. DOLPHIN

IP68

IK10



COVERING



20 / 25 mq



Standard version with 120° optics



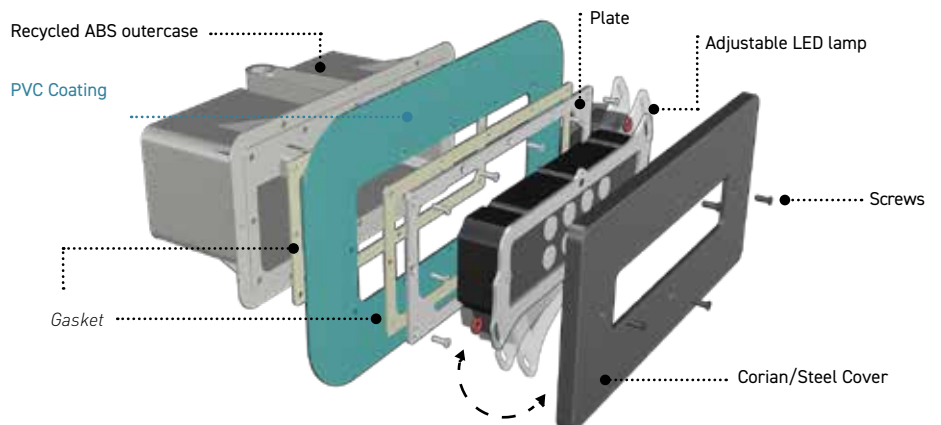
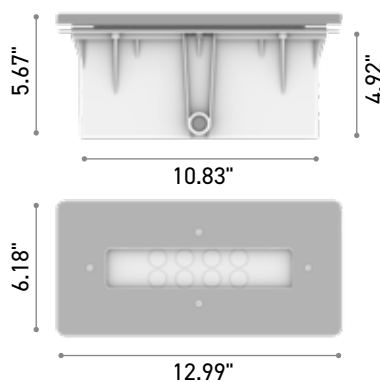
On request Black version with 8°, 30°, 45° or 10x60° optics



POOL TYPE: panel / reinforced concrete with tiles / PVC

Rectangular spotlight with linear illumination ideal for any application on pools with vinyl coating or tile. No Air System and Optical Pool Vision. 24 VDC power supply. CRI 80. Supplied with recycled ABS outercase and stainless-steel or corian cover, gaskets and screws. Wall outercase also prepared for prefabricated steel pools or plastic material. Cable length 32.8 ft (10m) included. Power supply not included. Warranty 5 Years. Corian cover available in 6 colors: white, sand, light blue, grey, anthracite, black.

BODY in technopolymer | ADJUSTABLE FIXING PLATE in AISI316L stainless steel



FIXED COLOR version

Code	LED color	lumen	W	Voltage	Optic
DLP- W .24.68. X .2	3000K	1400	12	24VDC	8°-30°-45°- 10x60°-120°
DLP- N .24.68. X .2	4000K	1400			
DLP- C .24.68. X .2	5000K	1390			

 Cable length 32.8 ft (10m) - 2x0.5mm²

TUNABLE WHITE version


Code	LED color	lumen	W	Voltage	Optic
DLP- TW .24.68. X .2	3000-5000K	1060	12	24VDC	8°-30°-45°- 10x60°-120°

 Cable length 32.8 ft (10m) - 4x0.5mm²

VARIABLE COLOR version

Code	LED color	lumen	W	Voltage	Optic
DLP- RGBW .24.68. X .2	RGBW	802	17	24VDC	8°-30°-45°- 10x60°-120°

X= Optic (S=8°, M=30°, MS=45°, FL=120°, AS=10x60°)

 Cable length 32.8 ft (10m) - 5x0.5mm²



COVER

Corian Cover

White
Cod. DLP-FL-WC



Sand
Cod. DLP-FL-SC



Grey
Cod. DLP-FL-GC



Black
Cod. DLP-FL-BC



Anthracite
Cod. DLP-FL-AC

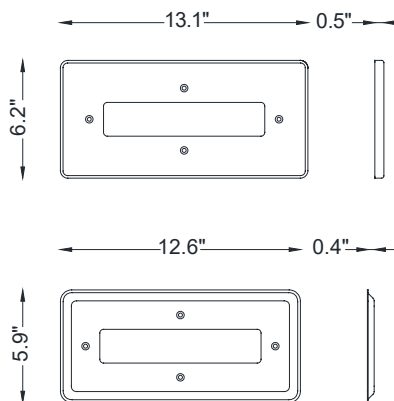


Light Blue
Cod. DLP-FL-CC



Steel Cover

Steel
Cod. DLP-FL-Q



OUTERCASE



Watertight recycled ABS outer case for reinforced concrete + PVC or tiles. Includes cable gland and space for cable management.

Cod. DLP-NC.1

MOD. MINI DOLPHIN



IP68

IK10

RECESSED

DIMMABLE

COVERING

10 / 15 mq

Standard version with 120° optics



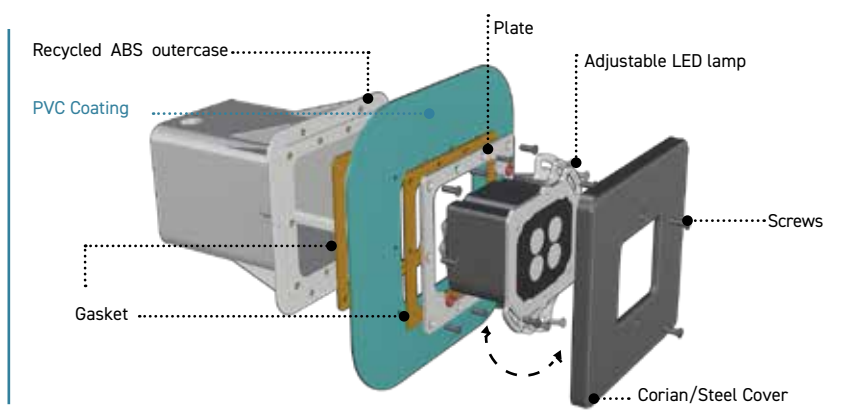
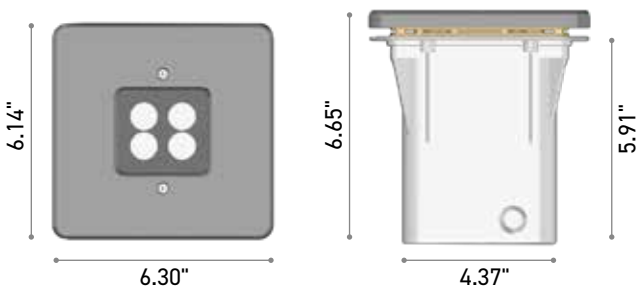
On request Black version with 8°, 30°, 45° or 10x60° optics



POOL TYPE: panel / reinforced concrete with tiles / PVC

Square shaped spotlight with linear illumination and compact dimensions, ideal for any application on pools with vinyl coating or tile. System No Air and Optical Pool Vision. 24 VDC power supply. CRI 80. Supplied with recycled ABS outercase and stainless-steel or corian cover, gaskets and screws. Wall outercase also prepared for swimming pools prefabricated steel or plastic material. Cable length 32.8 ft (10m) included. Power supply not included. Warranty 5 Years. Corian cover available in 6 colors: white, sand, light blue, grey, anthracite, black.

BODY in technopolymer | ADJUSTABLE FIXING PLATE in AISI316L stainless steel



FIXED COLOR version

Code	LED color	lumen	W	Voltage	Optic
MDP- W .24.68. X .2	3000K	630	6	24VDC	8°-30°-45°- 10x60°-120°
MDP- N .24.68. X .2	4000K	675			
MDP- C .24.68. X .2	5000K	670			

 Cable length 32.8 ft (10m) - 2x0.5mm²

TUNABLE WHITE version


Code	LED color	lumen	W	Voltage	Optic
MDP- TW .24.68. X .2	3000-5000K	690	6	24VDC	8°-30°-45°- 10x60°-120°

 Cable length 32.8 ft (10m) - 4x0.5mm²

VARIABLE COLOR version

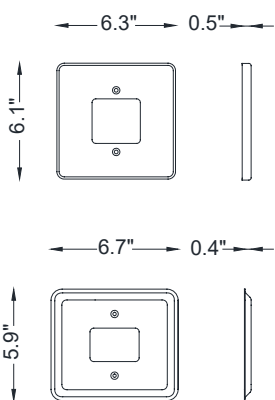
Code	LED color	lumen	W	Voltage	Optic
MDP- RGBW .24.68. X .2	RGBW	435	10	24VDC	8°-30°-45°- 10x60°-120°

X= Optic (S=8°, M=30°, MS=45°, FL=120°, AS=10x60°)

 Cable length 32.8 ft (10m) - 5x0.5mm²



COVER



Corian Cover

White
Cod. MDP-FL-WC



Sand
Cod. MDP-FL-SC



Grey
Cod. MDP-FL-GC



Black
Cod. MDP-FL-BC



Anthracite
Cod. MDP-FL-AC



Light Blue
Cod. MDP-FL-CC



Steel Cover

Steel
Cod. MDP-FL-T



OUTERCASE



Watertight recycled ABS outer case for reinforced concrete + PVC or tiles. Includes cable gland and space for cable management.

Cod. MDP-NC.1

MOD. MICRO DOLPHIN

IP68

IK10



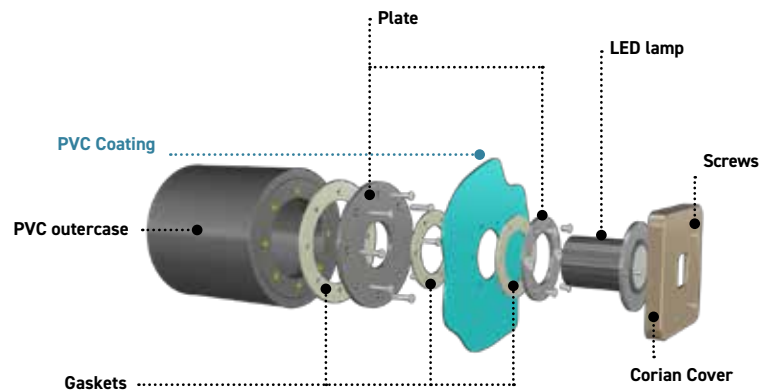
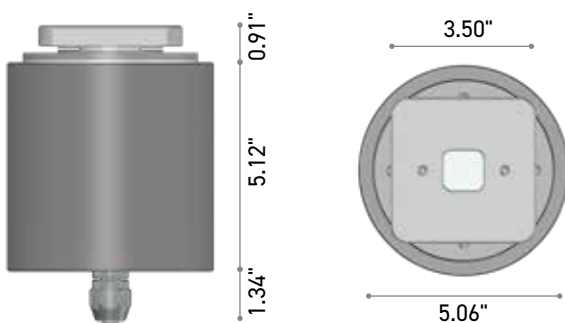
COVERING



POOL TYPE: panel / reinforced concrete with tiles / PVC


Square shaped spotlight with high luminous performance and ultra compact size, ideal for any application on pools with vinyl coating or tile. System No Air and Optical Pool Vision. 12-24VDC power supply. CRI 80. Supplied with recycled ABS outercase and corian cover, gaskets and screws. Wall outercase also prepared for swimming pools prefabricated steel or plastic material or 2" non-sealed PVC outercase. Cable length 32.8 in (10m) included. Power supply not included. Warranty 5 Years. Corian cover available in 6 colors: white, sand, light blue, grey, anthracite, black.

BODY in technopolymer | ADJUSTABLE FIXING PLATE in AISI316L stainless steel



FIXED COLOR version

Code	LED color	lumen	W	Voltage	Optic
MIC- W .24.68.FL.2	3000K	105	2	24VDC	120°
MIC- N .24.68.FL.2	4000K	130			
MIC- C .24.68.FL.2	5000K	135			

 Cable length 32.8 ft (10m) - 2x0.5mm²

VARIABLE COLOR version

Code	LED color	lumen	W	Voltage	Optic
MIC- RGBW .12.68.FL.2	RGBW	75	2	12VDC	120°

 Cable length 32.8 ft (10m) - 5x0.5mm²



COVER

← 3.5" 0.5" →



Corian Cover

White
Cod. MCD-FL-WC



Sand
Cod. MCD-FL-SC



Grey
Cod. MCD-FL-GC



Black
Cod. MCD-FL-BC



Anthracite
Cod. MCD-FL-AC



Light Blue
Cod. MCD-FL-CC



OUTERCASE



Fully watertight PVC outer case for reinforced concrete + PVC or tiles. Includes cable gland and space for cable management.

Cod. MIC-NC



Fully watertight PVC outer case for prefabricated panel. Includes cable gland and space for cable management.

Cod. MIC-NC-PL



2" No-Sealed PVC outer case
Complete the floor seal using the specific kit.

Cod. MIC-NC-NT



Floor seal kit consisting of wall pass, fittings, 32.8 ft (10m) of semi-rigid pipe Ø25mm and steel sealing cable gland

Cod. KIT-TNT-SPO-10M

MOD. PAR 56



IP68

IK10



COVERING



20 / 25 mq

Standard version with 120° optics



On request Black version with 8°, 30°, 45° or 10x60° optics

Standard size lamp, compatible with any headlamp body with size conventional Par 56. No Air and Optical Pool Vision system. 24 VDC power supply. CRI80. On request available in Black version for ideal application with dark colour coating. Available resin kit for connection of contacts on site. Warranty 5 Years.

BODY in steel



FIXED COLOR version

Code	LED color	lumen	W	Voltage	Optic
PAR- W .24.68. X .2	3000K	1400	12	24VDC	8°-30°-45°- 10x60°-120°
PAR- N .24.68. X .2	4000K	1400			
PAR- C .24.68. X .2	5000K	1390			

TUNABLE WHITE version

Code	LED color	lumen	W	Voltage	Optic
PAR- TW .24.68. X .2	3000-5000K	1060	12	24VDC	8°-30°-45°- 10x60°-120°



Cable length 16.4 ft (5m) - 5x1.5mm²

VARIABLE COLOR version

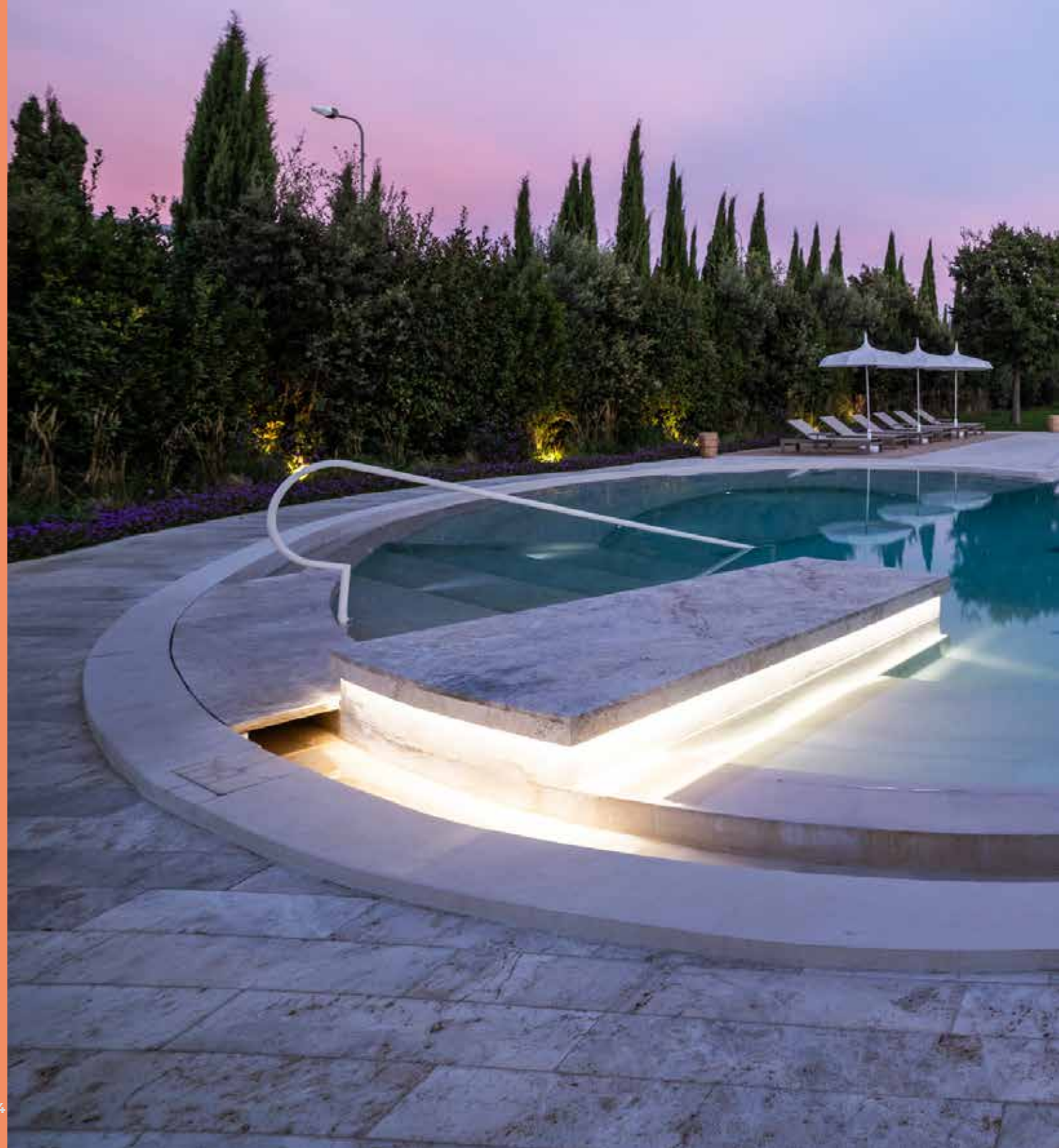
Code	LED color	lumen	W	Voltage	Optic
PAR- RGBW .24.68. X .2	RGBW	802	17	24VDC	8°-30°-45°- 10x60°-120°

X= Optic (S=8°, M=30°, MS=45°, FL=120°, AS=10x60°)



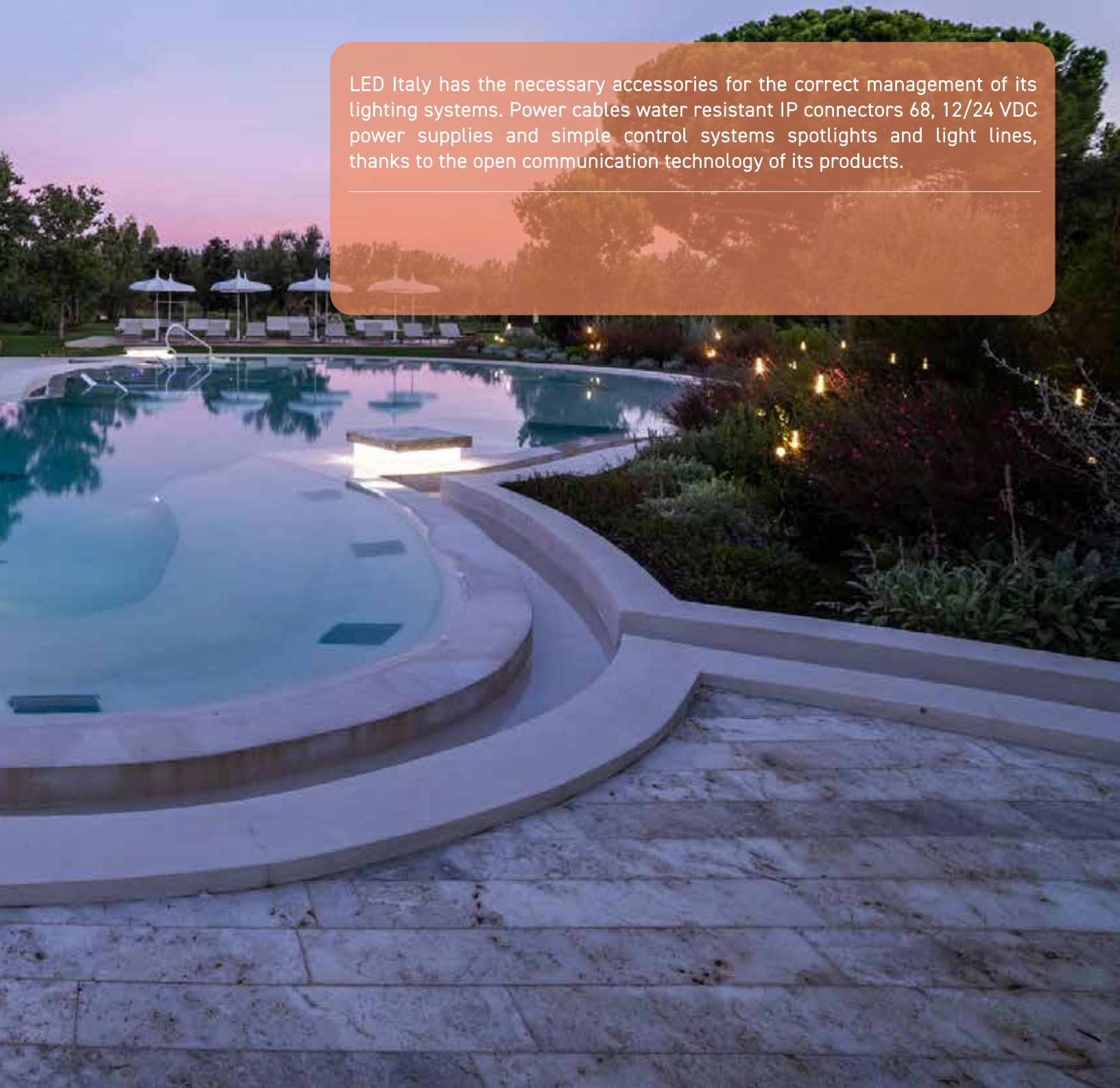
Cable length 16.4 in (5m) - 5x1.5mm²





COMPATIBLE ACCESSORIES

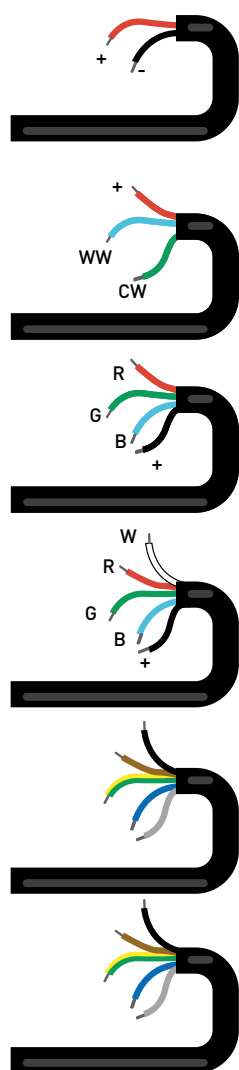
LED Italy has the necessary accessories for the correct management of its lighting systems. Power cables water resistant IP connectors 68, 12/24 VDC power supplies and simple control systems spotlights and light lines, thanks to the open communication technology of its products.



Customize the power cable

Each FLEX strip, PROFILE or LED SPOT is equipped with meters of cable included in the price. On request it is possible to customize the length of the cable.

Power cables are in FEP R5F, suitable for water immersion and outdoor applications. Black color, available 2, 3, 4 or 5x0,50mm² + 2 Kevlar wires for tensile stress.







Code	Description
SP-CA-68-2-1	For monochrome products Water immersion and outdoor power cable. Black. IP68. 2x0.50mm ² . External Ø0.21 in.
SP-CA-68-4-1	For tunable white products Water immersion and outdoor power cable. Black. IP68. 4x0.50mm ² . External Ø0.23 in.
SP-CA-68-4-1	For RGB products Water immersion and outdoor power cable. Black. IP68. 4x0.50mm ² . External Ø0.23 in.
SP-CA-68-5-1	For RGBW products Water immersion and outdoor power cable. Black. IP68. 5x0.50mm ² . External Ø0.24 in.
SP-CA-68-5-2	Water immersion and outdoor power cable. Black. IP68. 5x1.50mm ² . External Ø0.40 in.
SP-CA-68-5-3	Water immersion and outdoor power cable. Black. IP68. 5x1mm ² . External Ø0.42 in.

Each product comes with feet / meters of cable included in the price. The number of feet / meters included in the price is indicated on each product page. The cable length can be customized upon request by adding the cost of the additional cable.

Complete the installation with the junction connectors

To ensure IP68 electrical connections, we present a new line of resin-sealed connectors. The various models available, along with the resin-sealing kit, allow you to meet a variety of electrical connection needs. Connector models not included in the catalog are available upon request.

	Code	Description
	CON-68-2P-L	For monochrome products only 2-PIN micro linear junction connector to be resin-sealing. IP68. IN-OUT Cable diameter: max. 0.28 in Conductor cross-section: max. 0.50mm ² Dimensions: 1.69" x 0.59" x 0.51"
	CON-68-5P-L	For monochrome products, tunable white, RGB or RGBW 5-PIN linear junction connector to be resin-sealing. IP68. IN-OUT with PG9 cable gland Cable diameter: min. 0.16" - max. 0.31" Conductor cross-section: min. 0.50mm ² - max. 1.50mm ² Nut/cable gland tightening torque: 2.5nm Dimensions: 4.17" x 0.98" x 0.87"
	CON-68-5P-Y	For monochrome products, tunable white, RGB or RGBW 5-PIN linear junction connector to be resin-sealing. IP68. IN-OUT with PG9 cable gland Cable diameter: min. 0.16" - max. 0.31" Conductor cross-section: min. 0.50mm ² - max. 1.50mm ² Nut/cable gland tightening torque: 2.5nm Dimensions: 4.33" x 2.17" x 0.87"
	CON-68-5P-U	For monochrome products, tunable white, RGB or RGBW 5-PIN linear junction connector to be resin-sealing. IP68. IN-OUT with PG9 cable gland PG13.5 PG9 Cable diameter: min. 0.16" - max. 0.31" PG13,5 Cable diameter: min. 0.28" - max. 0.47" Conductor cross-section: min. 0.50mm ² - max. 1.50mm ² Nut/cable gland tightening torque: 2.5nm Dimensions: 3.23" x 2.05" x 1.34"

Resin kit



Plastic gun
Cod. **MIDI-CUT-PST**



Resin mixer
Cod. **MIDI-CUT-MIX**



Resin cartridge
Cod. **MIDI-CUT-RES**

How many connectors can each cartridge resin?

CON-68-2P-L	3
CON-68-5P-L	2
CON-68-5P-Y	2
CON-68-5P-U	1

Light intensity change via dimmer

Change light intensity or change color through the available dimmers. Choose the signal that best suits your system between 5-Color dimmers with touch remote control, dimmers with control via Casambi App or dimmers for controls that can be managed via DMX signal. You can choose the single version or inside an IP65 waterproof box together with the LED Driver.

DIMMER WITH REMOTE CONTROL



Code	Description	VDC	max W	Dimensions
DRC-1224-5CV	LED Dimmer DALCNET. 5 channels IN 12-24VDC , Out 5x3A. Including remote controller and receiver, IP20.	12V	180W	Receiver 4.49" x 1.50" x h. 0.79"
		24V	360W	Controller 4.80" x 2.09" x h. 0.69"

DIMMER WITH REMOTE CONTROL and APP



Code	Description	VDC	max W	Dimensions
C-WIFI	LED Dimmer RR. 5 channels IN 12-24VDC , Max 8A for each channel. Total max 24A. Including remote controller and receiver. App Tuya WiFi , IP20.	12V	280W	Receiver 1.34" x 1.54" xh. 0.94"
		24V	500W	Controller 5.31" x 1.38" x h. 0.28"

DIMMER WITH APP



Code	Description	VDC	max W	Dimensions
DLX-1224-4CV-CASAMBI	LED Dimmer DALCNET. 4 channels IN 12-24VDC , Out 4x5A CASAMBI , IP20.	12V	120W	3.46" x 2.13" x h. 1.02"
		24V	240W	

DIMMER WITH DALI or DMX signal



Code	Description	Vdc	max W	Dimensions
DLX-1224-4CV-DALI/DMX	LED Dimmer DALCNET. 4 channels IN 12-24VDC , Out 4x5A DALI or DMX , IP20.	12V	120W	3.46" x 2.13" x h. 1.02"
		24V	240W	

LED ITALY[®]
ITALIAN QUALITY PRODUCTS

designplan[®] 