

EGO

SOMETIMES LIGHT FIXTURES ARE NEEDED IN SPACES WITH EXTREME WEATHER CONDITIONS, SUCH AS ON A MOVIE SET OR AN UNDERWATER LOCATION. IN THESE CASES, EXTREME WEATHER CONDITIONS MUST BE TAKEN INTO ACCOUNT FROM THE VERY BEGINNING STAGES OF PRODUCT DESIGN. EGO IS A PRODUCT THAT HIGHLY REPRESENTS THIS APPROACH: IT USES A STAINLESS-STEEL STRUCTURE (ELECTROPOLISHED ON REQUEST) TO REACH LIMITS THAT OTHER APPLIANCES CANNOT. IT HAS UNIQUE ANTI-CORROSIVE QUALITIES AND THANKS TO ITS COMPACTNESS, EGO CAN WITHSTAND INTENSE WEATHER CONDITIONS.

COMMON FEATURES:

- MARINE GRADE STAINLESS STEEL 31 6L HOUSING (GALVANIZED TREATMENT ON REQUEST).
- A4 STAINLESS STEEL SEALING ALLEN SCREWS.
- EXTRA CLEAR TEMPERED GLASS SCREEN.
- SINGLE-CABLE INPUT, PRE-ASSEMBLED WITH NEOPRENE CABLE AND IP68 WATER-STOP FAST CONNECTOR.
- SILICON GASKET.
- COMPLIANT EN60598-1 AND RELATED ANNEX.

INGROUND RECESSED FEATURES

- RECESSING BOX IN POLYPROPYLENE

FLOODLIGHT FEATURES:

- MARINE GRADE STAINLESS STEEL 31 6L BRACKET (GALVANIZED TREATMENT ON REQUEST).

UNDERWATER RECESSED FEATURES:

- RECESSING BOX IN POLYPROPYLENE WITH JOINT FOR CORRUGATE PIPE DIAM. 20MM (EGO) OR 25MM (EGOMAXI).
- SINGLE-CABLE INPUT, PRE-ASSEMBLED WITH 5 MTS OF NEOPRENE CABLE.

designplan® 



UNDER THE HOOD

AT FIRST GLANCE IT MAY SEEM LIKE A DECORATIVE VISOR, BUT INSTEAD IT IS AN ANTI-GLARE ACCESSORY, AND IT DOES ITS JOB WELL. THIS WAY, EGO ILLUMINATES ITS SUBJECT AND DOES NOT GENERATE AN ANNOYING GLARE FOR ITS OBSERVER.



THERE'S ROOM FOR YOU

ANYONE WHO HAS BEEN INVOLVED IN BUILDING ENGINEERING OR ARCHITECTURE, KNOWS THAT MATERIALS PLAY A VERY IMPORTANT ROLE IN DECIDING HOW TO BUILD SOMETHING AND HOW TO LIGHT A SPACE. TOO OFTEN, THOSE WHO DESIGN LIGHTING VISUALIZE THE PRODUCT IN IDEAL CONDITIONS, WITHOUT CONSIDERING THE LIMITATIONS THAT THE ENVIRONMENT IN WHICH IT OPERATES IMPOSES. THE RESULT BEING THAT OFTEN A PLASTIC OUTER CASING IS DEFORMED OR EVEN SPLIT DURING CONCRETE CASTING. EGO, ON THE OTHER HAND, IS MADE OF STEEL INSIDE AND OUT: THE STAINLESS-STEEL OUTER CASINGS GUARANTEE DURABILITY EVEN WHEN INSTALLED AND KEEP THE LIGHT PROTECTED.

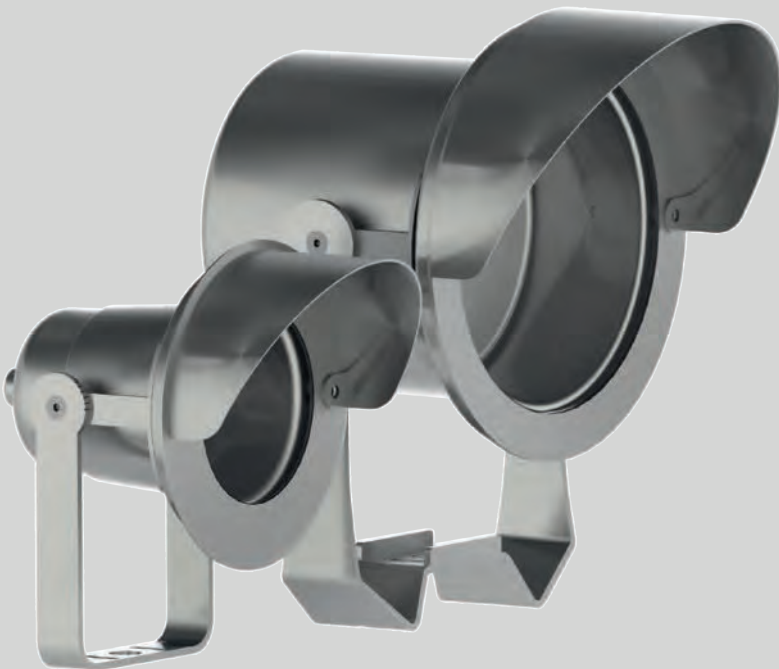


STAINLESS, FEARLESS

THE PRODUCTS OF THE EGO SERIES ARE BEAUTIFULLY EMBELLISHED WITH STEEL. THIS IS NOT JUST FOR AESTHETIC REASONS. IN FACT, WE HAVE TURNED TO STEEL AS THE MATERIAL OF CHOICE TO KEEP PRODUCTS IN GOOD CONDITION EVEN IN BAD WEATHER. THE QUALITY OF 316L STAINLESS STEEL MANAGES TO HANDLE PROBLEMS RELATED TO PROBLEMATIC WEATHER, MAKING EGO THE BEST CHOICE FOR THIS TYPE OF INSTALLATION.



A BRIGHT EGO FITS EVERYWHERE



EGO IS A PRODUCT OF EXCELLENCE AND IS THE OBVIOUS CHOICE FOR ALL SPACES THAT REQUIRE COMPACT, RELIABLE, AND WEATHER RESISTANT LIGHTING. WE HAVE CONSEQUENTLY EQUIPPED THE EGO COLLECTION WITH ACCESSORIES SUITABLE FOR MANY DIFFERENT TYPES OF INSTALLATION, SO THAT IT CAN BE USED NEARLY ANYWHERE.





PRIVATE BUILDING - BRESCIA - ITALY





EGO & EGO MAXI RECESSED



EGO



EGO MAXI

PERFORMANCE DATA

TRUE POWER (W)	9
TRUE LUMENS (3000K)	1134 (.11)
TRUE LUMENS (4000K)	1171 (.11)
L90 LIFETIME (HRS)	55.000 - T _a 35°C

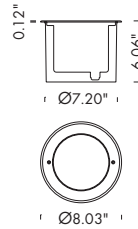
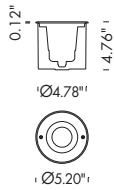
BUILD DATA

CLASS	I
NOMINAL VOLTAGE	220-240V 50/60Hz
POWER SUPPLY	INCLUDED ON-OFF
EXTERNAL CABLE	SINGLE INPUT
	3-POLES NEOPRENE
	IP68 FAST CONNECTION
PROTECTION RATING	IP67 - IK08
MAX LOAD	3306.9 lbs (WALK OVER)

12
1430 (.11)
1476 (.11)
55.000 - T _a 35°C

I
220-240V 50/60Hz
INCLUDED ON-OFF
SINGLE INPUT
3-POLES NEOPRENE
IP68 FAST CONNECTION
IP67 - IK08
5070.6 lbs (DRIVE OVER)

DIMENSIONS



CODE COMPOSITION



● FINISH	.6 - AISI 316L S.STEEL
■ LED COLOR	.2 - 2700°K - CRI > 80 .3 - 3000°K - CRI > 80 .4 - 4000°K - CRI > 80
▲ BEAM	.07 - WALL WASHER .11 - 12° SPOT .12 - 24° MEDIUM .13 - 38° WIDE



● FINISH	.6 - AISI 316L S.STEEL
■ LED COLOR	.2 - 2700°K - CRI > 80 .3 - 3000°K - CRI > 80 .4 - 4000°K - CRI > 80
▲ BEAM	.11 - 12° SPOT .12 - 24° MEDIUM .13 - 38° WIDE

EGO & EGO MAXI FLOODLIGHT



EGO W



EGO MAXI W



EGO RGB+W
CORE



EGO MAXI RGB+W
PRO (ON-BOARD DMX)

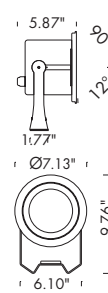
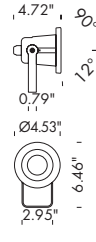
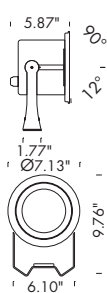
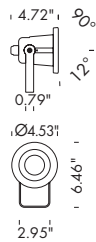
PERFORMANCE DATA

	9	12	12 (ALL COLORS) R=33, G=84, B=20, W=116 (6500K)	36 (ALL COLORS) R=100, G=251, B=61, W=347 (6500K)
TRUE POWER (W)	9	12	12 (ALL COLORS) R=33, G=84, B=20, W=116 (6500K)	36 (ALL COLORS) R=100, G=251, B=61, W=347 (6500K)
TRUE LUMENS (3000K)	1124 (.11)	1416 (.11)		
TRUE LUMENS (4000K)	1171 (.11)	1476 (.11)		
L90 LIFETIME (HRS)	55.000 - T _a 35°C	55.000 - T _a 35°C	90.000 - T _a 35°C	90.000 - T _a 35°C

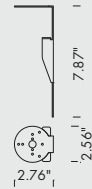
BUILD DATA

	I	I	III	III
CLASS	I	I	III	III
NOMINAL VOLTAGE	220-240V 50/60Hz	220-240V 50/60Hz	24V DC - 4xPWM-CV	24V DC - DMX (RDM)
POWER SUPPLY	INCLUDED ON-OFF	INCLUDED ON-OFF	SEE END OF SECTION	SEE END OF SECTION
EXTERNAL CABLE	SINGLE INPUT	SINGLE INPUT	SINGLE INPUT	SINGLE INPUT
	3-POLES NEOPRENE	3-POLES NEOPRENE	6-POLES FEP+RUBBER	5-POLES FEP+RUBBER
	IP68 FAST CONNECTION	IP68 FAST CONNECTION	IP68 FAST CONNECTION	IP68 FAST CONNECTION
PROTECTION RATING	IP67 - IK07	IP67 - IK07	IP67 - IK07	IP67 - IK07

DIMENSIONS

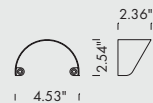


ACCESSORIES



STAINLESS STEEL PEG

A9903



STAINLESS STEEL VISOR
MODEL EGO
(TO BE ORDERED ALONG
WITH THE PRODUCT)

A0413



STAINLESS STEEL VISOR
MODEL EGO MAXI
(TO BE ORDERED ALONG
WITH THE PRODUCT)

A0414

CODE COMPOSITION

	40401	40423	40404	40425
● FINISH	.6 - AISI 316L S.STEEL	.6 - AISI 316L S.STEEL	.6 - AISI 316L S.STEEL	.6 - AISI 316L S.STEEL
■ LED COLOR	.2 - 2700°K - CRI > 80 .3 - 3000°K - CRI > 80 .4 - 4000°K - CRI > 80	.2 - 2700°K - CRI > 80 .3 - 3000°K - CRI > 80 .4 - 4000°K - CRI > 80	.5 RGB + W	.5 RGB + W
▲ BEAM	.11 - 12° SPOT .12 - 24° MEDIUM .13 - 38° WIDE	.11 - 12° SPOT .12 - 24° MEDIUM .13 - 38° WIDE	.01 - 10° SPOT .36 - 25° MEDIUM .32 - 45° WIDE .38 - 10° x 40°	.01 - 10° SPOT .36 - 25° MEDIUM .32 - 45° WIDE .38 - 10° x 40°

EGO & EGO MAXI UNDERWATER WHITE



EGO



EGO MAXI



EGO



EGO MAXI

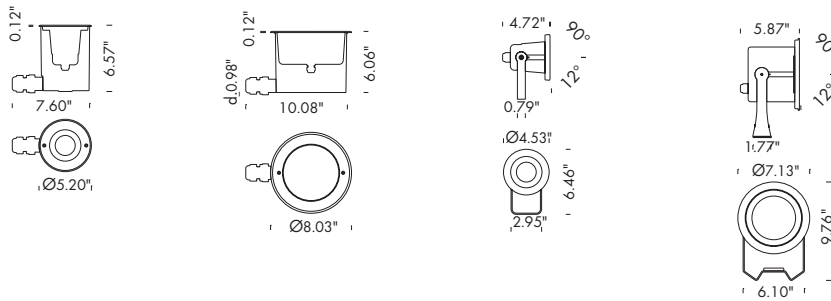
PERFORMANCE DATA

	EGO	EGO MAXI	EGO	EGO MAXI
TRUE POWER (W)	9	12	9	12
TRUE LUMENS (3000K)	1124 (.11)	1416 (.11)	1124 (.11)	1416 (.11)
TRUE LUMENS (4000K)	1171 (.11)	1476 (.11)	1171 (.11)	1476 (.11)
L90 LIFETIME (HRS)	55.000 - Ta 50°C	55.000 - Ta 50°C	55.000 - Ta 50°C	55.000 - Ta 50°C

BUILD DATA

	EGO	EGO MAXI	EGO	EGO MAXI
CLASS	III	III	III	III
NOMINAL VOLTAGE	24VDC - DIMMABLE	24VDC - DIMMABLE	24VDC - DIMMABLE	24VDC - DIMMABLE
POWER SUPPLY	SEE END OF SECTION	SEE END OF SECTION	SEE END OF SECTION	SEE END OF SECTION
EXTERNAL CABLE	SINGLE INPUT	SINGLE INPUT	SINGLE INPUT	SINGLE INPUT
	2-POLES NEOPRENE 5MTS	2-POLES NEOPRENE 5MTS	2-POLES NEOPRENE 5MTS	2-POLES NEOPRENE 5MTS
PROTECTION RATING	IP68 - 9.84' (3 m)	IP68 - 9.84' (3 m)	IP68 - 9.84' (3 m)	IP68 - 9.84' (3 m)

DIMENSIONS



CODE COMPOSITION

	50401	50422	50405	50426
● FINISH	.6 - AISI 316L S. STEEL	.6 - AISI 316L S. STEEL	.6 - AISI 316L S. STEEL	.6 - AISI 316L S. STEEL
■ LED COLOR	.3 - 3000°K - CRI > 80 .4 - 4000°K - CRI > 80	.3 - 3000°K - CRI > 80 .4 - 4000°K - CRI > 80	.3 - 3000°K - CRI > 80 .4 - 4000°K - CRI > 80	.3 - 3000°K - CRI > 80 .4 - 4000°K - CRI > 80
▲ BEAM	.11 - 12° SPOT .12 - 24° MEDIUM .13 - 38° WIDE	.11 - 12° SPOT .12 - 24° MEDIUM .13 - 38° WIDE	.11 - 12° SPOT .12 - 24° MEDIUM .13 - 38° WIDE	.11 - 12° SPOT .12 - 24° MEDIUM .13 - 38° WIDE

EGO & EGO MAXI UNDERWATER RGB+W



EGO

CORE



EGO MAXI

PRO (ON-BOARD DMX)



EGO

CORE



EGO MAXI

PRO (ON-BOARD DMX)

PERFORMANCE DATA

TRUE POWER (W)
TRUE LUMENS (3000K)
TRUE LUMENS (4000K)
L90 LIFETIME (HRS)

12 (ALL COLORS)
R=33, G=84,
B=20, W=116 (6500K)
90.000 - T_a 35°C

36 (ALL COLORS)
R=100, G=251,
B=61, W=347 (6500K)
90.000 - T_a 35°C

12 (ALL COLORS)
R=33, G=84,
B=20, W=116 (6500K)
90.000 - T_a 35°C

36 (ALL COLORS)
R=100, G=251,
B=61, W=347 (6500K)
90.000 - T_a 35°C

BUILD DATA

CLASS
NOMINAL VOLTAGE
POWER SUPPLY
EXTERNAL CABLE

III
24VDC - 4 x PWM-CV
SEE END OF SECTION
SINGLE INPUT
6-POLES
FEP + RUBBER 5MTS
IP68 - 9.84' (3 m)

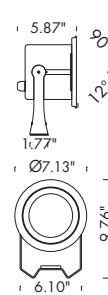
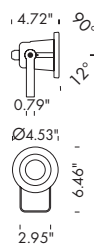
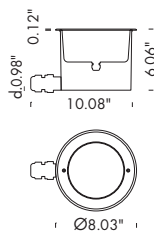
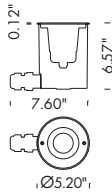
III
24VDC - DMX (RDM)
SEE END OF SECTION
SINGLE INPUT
5-POLES
FEP + RUBBER 5MTS
IP68 - 9.84' (3 m)

III
24VDC - 4 x PWM-CV
SEE END OF SECTION
SINGLE INPUT
6-POLES
FEP + RUBBER 5MTS
IP68 - 9.84' (3 m)

III
24V DC - DMX (RDM)
SEE END OF SECTION
SINGLE INPUT
5-POLES
FEP + RUBBER 5MTS
IP68 - 9.84' (3 m)

PROTECTION RATING

DIMENSIONS



CODE COMPOSITION

50403

50424

50404

50425

● FINISH

.6 - AISI 316L S. STEEL

.6 - AISI 316L S. STEEL

.6 - AISI 316L S. STEEL

.6 - AISI 316L S. STEEL

■ LED COLOR

.5 - RGB+W

.5 - RGB+W

.5 - RGB+W

.5 - RGB+W

▲ BEAM

.01 - 10° SPOT
.36 - 25° MEDIUM
.32 - 45° WIDE
.38 - 10° x 40°

.01 - 10° SPOT
.20 - 20° MEDIUM
.58 - 7° x 30° ELLIPTICAL

.01 - 10° SPOT
.36 - 25° MEDIUM
.32 - 45° WIDE
.38 - 10° x 40°

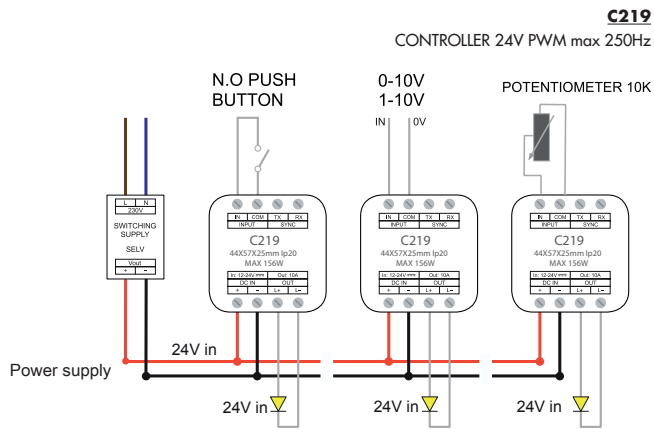
.01 - 10° SPOT
.20 - 20° MEDIUM
.58 - 7° x 30° ELLIPTICAL

POWER SUPPLY

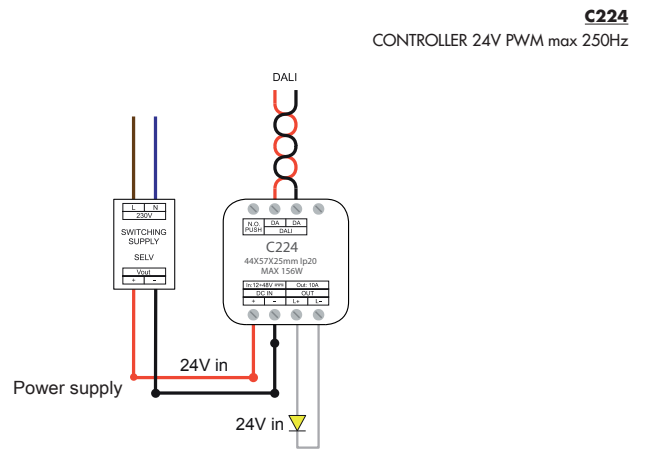
EGO/EGO MAXI 24V MONOCHROMATIC WHITE

DIMMING CONTROLLER

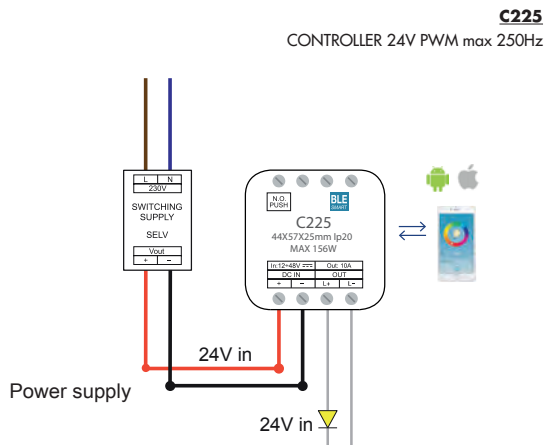
0-10V / 1-10V / PUSH / POTENTIOMETER 10K



DALI



BLUETOOTH / PUSH

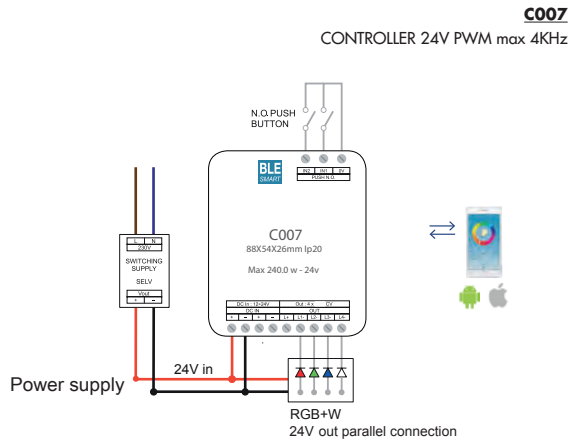


POWER SUPPLY

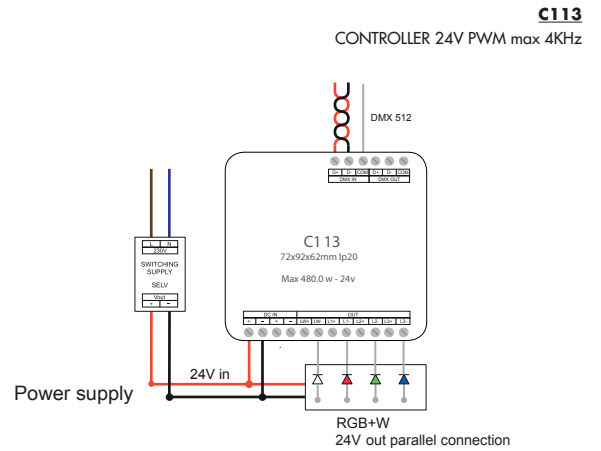
EGO 24V RGB+W LED CORE

RGB+W CONTROLLER

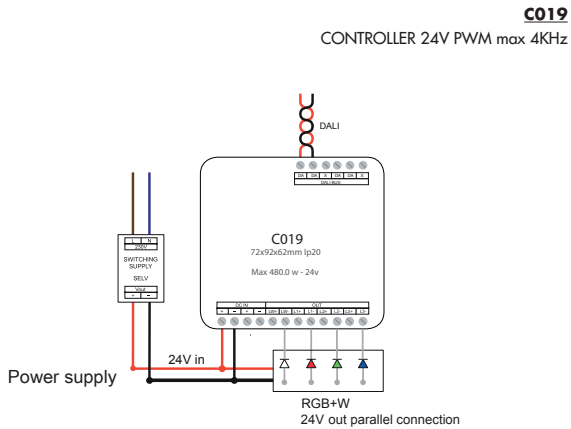
BLUETOOTH / PUSH



DMX



DALI



POWER SUPPLY

EGO MAXI 24V RGB+W LED PRO (ON-BOARD DMX)

RGB CONTROLLER

DMX

D041

TOUCH PANEL 86X86X36MM

C106

RDM ADDRESS PROGRAMMING DEVICE ON DMX CABLE

