

MINI DOLPHIN

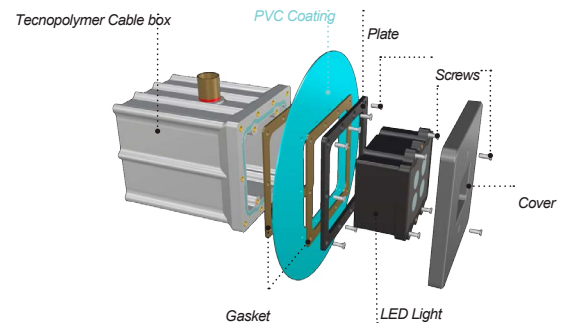
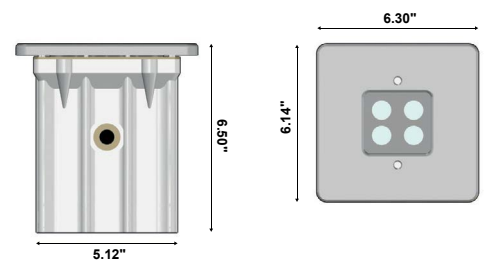
MINI DOLPHIN is a square underwater spotlight with linear illumination that is suitable for installation in pools with vinyl coating or tile. It has a stainless steel flange, and comes in static white, tunable white or RGBW with 6 Corian or steel cover colors and a 5 year warranty.



TECHNICAL DATA

Wattage	6W (Static, Tunable) 10W (RGBW)
Power Supply	Remote Fountain/Pool Approved 24VDC Power Supply, not included. See page 2.
Construction	Body: Techopolymer Fixing Plate: Stainless Steel AISI 316L Cable Length: 32.8 ft (10 m) included
CCT	3000K, 4000K, 5000K Tunable White (2700K-4600K), RGBW
CRI	80
Delivered Lumens	675 lm (120°, 4000K) 435 lm (RGBW)
Efficacy	67.5 lm/W (4000K) 43.5 lm/W (RGBW)
Optics	120° (Standard) 8°, 30°, 45°, 60°x10°
Finishes	Corian (6 colors - see below) Stainless Steel
Fixture Dimensions	5.71" x 5.63" x 6.57" h
Cutout Dimensions	5.08" x 4.92"
Fixture Weight	5.07 lbs
LED Source	4 SMD 3535 SHINEON (static white)
Working Temp	-20° / +50°
IP Rating	IP68
Impact Resistance	IK10
Warranty	5 Years

Fixture Dimensions



ORDERING INFORMATION

Example: MDP.W.24.68.AS.2.US. Power Supplies / Accessories ordered separately.

MDP	.		.	24	.	68	.		.	2	.	US
Model No.	CCT	Power	IP Rating	Optic								
MDP	W - 3000K N - 4000K C - 5000K TW - Tunable White (2800-4600K) RGBW - RGBW	24 - 24VDC	68 - IP68	FL - 120° (standard) S - 8° M - 30° MS - 45° AS - 60x10°	2							US

Job Name/Date:

Fixture Type Designation:

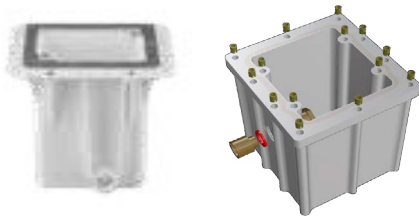
SUGGESTED POWER SUPPLIES

24VDC - Static, Tunable White or RGBW

Part Number	Description	Input/Output	# of Fixtures		
			Static	Tunable	RGBW
FPV-100110024	ELV / TRIAC & 0-10V Dimming (100 to 0%)	120-277VAC to 24VDC, 96W, Class 2, IP66, NEMA 4X	1-12	1-12	1-6
FPV-100000024	Non-Dim	120-277VAC to 24VDC, 100W, Class 2, IP66, NEMA 4X	1-13	1-13	1-7

For other power supply options consult factory.

ACCESSORIES - Installation



MDP-NC.1

Watertight Recycled ABS Outer Case for reinforced concrete + PVC or tiles
Includes cable gland and space for cable management.
REQUIRED

FINISHES - Corian Cover (REQUIRED)

White
Cod. MDP-FL-WC



Sand
Cod. MDP-FL-SC



Grey
Cod. MDP-FL-GC



Black
Cod. MDP-FL-BC



Anthra cite
Cod. MDP-FL-AC



Light Blue
Cod. MDP-FL-CC



Steel Cover (for Tiled Pools)

Steel
Cod. MDP-FL-T

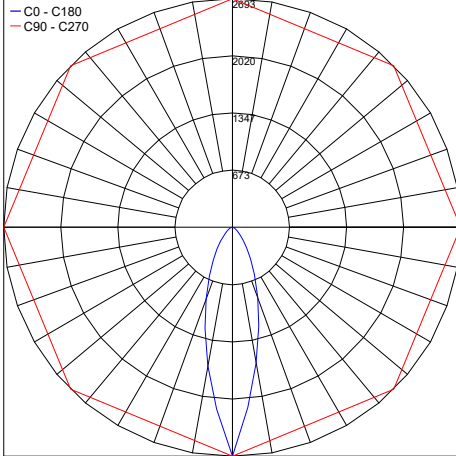


Job Name/Date:

Fixture Type Designation:

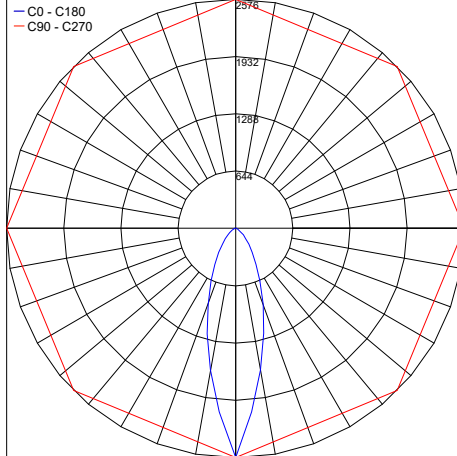
PHOTOMETRIC DATA

Maximum Candela = 2693.1



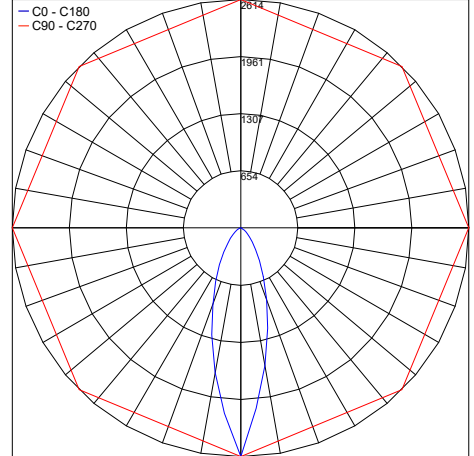
PHOTOMETRIC FILENAME : MINI DOLPHIN 30K 60X10° - MDP-W.24.68.AS.IES

Maximum Candela = 2575.7



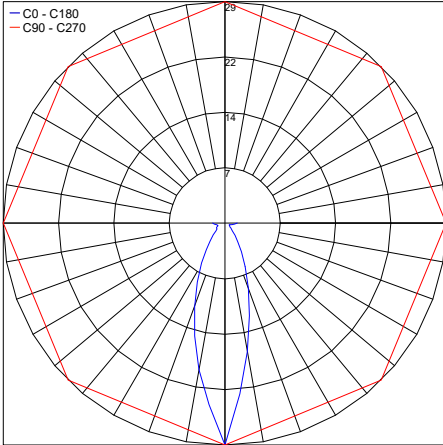
PHOTOMETRIC FILENAME : MINI DOLPHIN 40K 60X10° - MDP-N.24.68.AS.IES

Maximum Candela = 2614.3



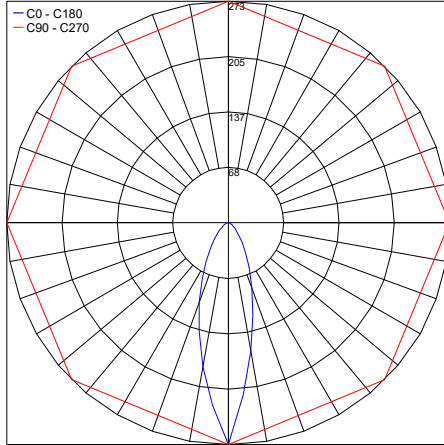
PHOTOMETRIC FILENAME : MINI DOLPHIN 50K 60X10° - MDP-C.24.68.AS.IES

Maximum Candela = 28.9



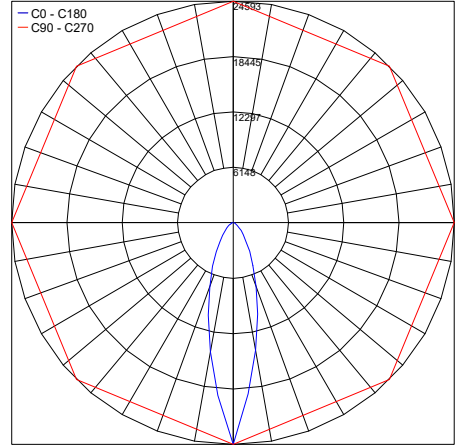
PHOTOMETRIC FILENAME : MINI DOLPHIN RGBW (BLUE) 60X10° - MDP-RGBW.24.68.AS.B.IES

Maximum Candela = 273.3



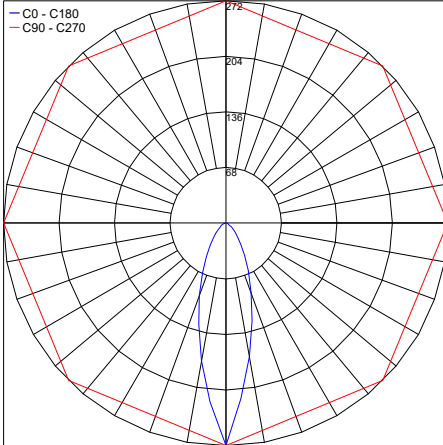
PHOTOMETRIC FILENAME : MINI DOLPHIN RGBW (GREEN) 60X10° - MDP-RGBW.24.68.AS.G.IES

Maximum Candela = 24593.2



PHOTOMETRIC FILENAME : MINI DOLPHIN RGBW (RED) 60X10° - MDP-RGBW.24.68.AS.R.IES

Maximum Candela = 271.7



PHOTOMETRIC FILENAME : MINI DOLPHIN RGBW (WHITE) 60X10° - MDP-RGBW.24.68.AS.W.IES

Job Name/Date:

Fixture Type Designation: