

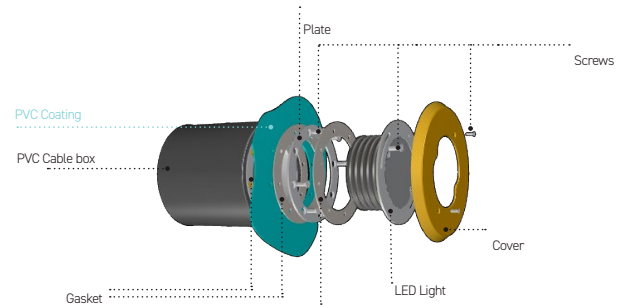
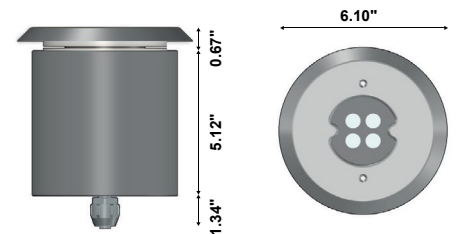
MINI SQUID is an IP68-rated, high performance, circular LED luminaire suitable for installation in residential swimming pools with vinyl, tiles or mosaic coating. It is the smaller version of the SQUID fixture, and has a stainless steel flange, and comes in static white, tunable white or RGBW with 6 cover colors, and a 5 year warranty.



TECHNICAL DATA

Wattage	14W (Static, Tunable), 11W (RGBW)
Power Supply	Remote Fountain/Pool Approved 24VDC Power Supply, not included. See page 2.
Construction	Body: Techopolymer Lens:
CCT	3000K, 4000K, 5000K Tunable White (2700K-4600K), RGBW
CRI	80
Delivered Lumens	450 lm (120°, 3000K)
Efficacy	41.4 lm/W (120°, 3000K)
Optics	120°, 60°x10°
Finishes	Stainless Steel, Corian
Fixture Dimensions	6.10" x 6.10" h. 7.13"
Cutout Dimensions	5.08" x 4.92"
Fixture Weight	5.07lbs
LED Source	4 SMD 3535 SHINEON (static white)
Working Temp	-20° / +50°
IP Rating	IP68
Warranty	5 Years

Fixture Dimensions



ORDERING INFORMATION

Example: MSQ.W.24.68.AS.US. Power Supplies ordered separately.

MSQ		24	68		US
Model No.	CCT	Power	IP Rating	Optic	
MSQ	W - 3000K N - 4000K C - 5500K TW - Tunable White (2800-4600K) RGBW - RGBW	24 - 24VDC	68 - IP68	FL - 120° AS - 60x10°	US

Job Name/Date:

Fixture Type Designation:

SUGGESTED POWER SUPPLIES

24VDC - Static, Tunable White or RGBW

Part Number	Description	Input/Output	# of Fixtures
PPLT00056	Non-Dim	120-277VAC to 24VDC, 26W, Class 2, IP66	1-1
PPLT00690	ELV / TRIAC & 0-10V Dimming	120-277VAC to 24VDC, 40W, Class 2, IP67	1-2
PPLT00627	ELV / TRIAC & 0-10V Dimming (100 to 0%)	120-277VAC to 24VDC, 96W, Class 2, IP67	1-5 (1-6 RGBW)
PPLT00284	Non-Dim	120-277VAC to 24VDC, 100W, Class 2, DAMP	1-5 (1-7 RGBW)
PPLT00543	0-10V Dimming to 15% (-40°C / -40°F cold weather start)	120-277VAC to 24VDC, 100W, Class 2	1-5 (1-7 RGBW)

Suggested Lutron Compatible

Part Number	Option	Lutron SKU	Dim Range	Description	Input/Output	# of Fixtures
PPLT00273	L3DAE / L3DA3W	L3DA	100%-1%	Hi-Lume™ 1% EcoSystem™ or 1% 3-Wire LED Driver	120-277VAC to 24VDC, 40W, Class 2	1-2
PPLT00530	L3DAE / L3DA3W	L3DA	100%-1%	Hi-Lume™ 1% EcoSystem™ or 1% 3-Wire LED Driver	120-277VAC to 24VDC, 96W, Class 2	1-5 (1-6 RGBW)

For other power supply options consult factory.

ACCESSORIES - Installation



MSQ-NC
PVC Outer Case

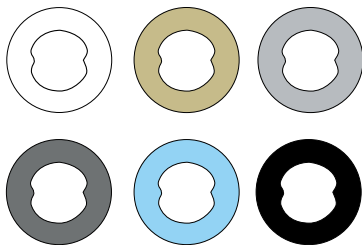


CA-68-2-1
Monochromatic - Reel of Cable

CA-68-4-1
Tunable White - Reel of Cable

CA-68-5-1
RGBW - Reel of Cable

COVER COLORS



MSQ-FL-WC/SC/GC/AC/CC/BC
Corian Cover



KEY FOR LOCK
Steel Key

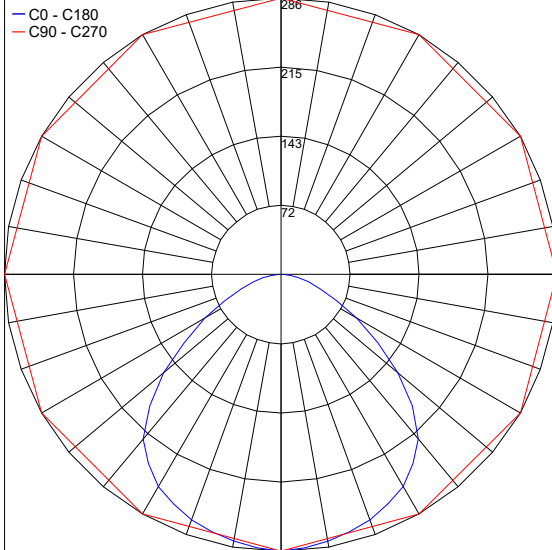
Job Name/Date:

Fixture Type Designation:

PHOTOMETRIC DATA

Note: This photometry is 5500K

Maximum Candela = 286.2



PHOTOMETRIC FILENAME : MINISQUID 55K 120°_MSQ-C.24.68.FL.IES

Job Name/Date:

Fixture Type Designation: