

ORIS IP65



**RECESSED FITTING WITH REAR GLASS,
MAXIMUM INVISIBILITY.**

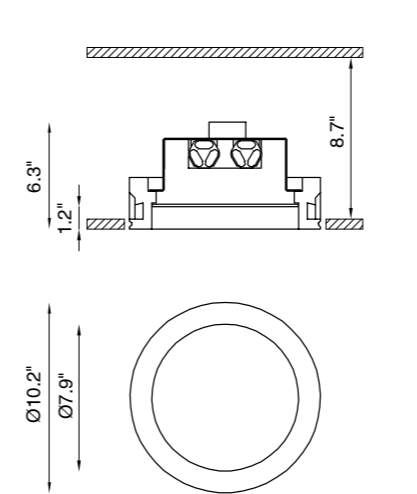
Oris IP65 is a totally disappearing outdoor recessed luminaire made of Coral WaterOut[®], installable on plasterboard or brick walls and ceilings: once installed, it completely disappears out of sight. Oris IP65 is the perfect solution for the installation inside SPAs, wellness clubs or private spaces where light and water play a key role. Thanks to its particular technical features, Oris IP65 is, in fact, able to guarantee to spaces their perfect lighting while resisting to the humidity in these areas.



79 Trenton Avenue
Frenchtown, NJ 08825

www.designplan.com

Tel: (908) 996-7710
Fax: (908) 996-7042



TECHNICAL FEATURES

Code	BU5381.CW (fig. B)	BU5388.CW (fig. B)
Type	Downlight 90° 	Downlight 90° 
Material	CW: Coral WaterOut [®] I waterproof	CW: Coral WaterOut [®] I waterproof
Weight	8.8 lbs	8.8 lbs
Mounting	Ceiling recessed	Ceiling recessed
IP rating	IP65	IP65
Control gear	Constant current electronic driver	Dimmable constant current driver
Cut out for plasterboard	Ø 10.6"	Ø10.6"
Lamp type	LED 1050mA 	LED 350mA 
Lamp wattage	1 x 40W	2 x 6.5W
Luminous efficacy	4680 lm - 3000K	2 x 810 lm - 3000K
Light distribution	Wide beam 40°	Wide beam 120°
Fitting	-	-
Light colour	White 3000K White 2700K 4000K (on request)	White 3000K White 2700K 4000K (on request)
Light hole	Ø 7.9"	Ø7.9"
Voltage connection	xxx · 50/60Hz	xxx · 50/60Hz
CRI	>90	>90
Emergency	-	-
Energy efficiency class	-	-
Note	Extra white satin glass. Frosted glass recessed 1.2" into the ceiling.	Extra white satin glass. Frosted glass recessed 1.2" into the ceiling. Trailing-edge and leading-edge dimming (20 - 100%).

OPTIONAL ACCESSORIES

product code	optional code	description	info
5388.CW	BR5388LT	Brick box	Dimensions L: 445 mm; W: 270 mm; D: 225 mm

