

PAR56

PAR56 is a round pool light that is suitable for installation in concrete pools with PVC or tile coating. It has a stainless steel body with opal resin lens, and comes in white ABS or stainless steel finish. Available in static white, tunable white, or RGBW.



TECHNICAL DATA

Wattage	20W
Power Supply	Remote 12VDC or 24VDC, not included. See p2.
Construction	Body: Stainless Steel Lens: Opal Technopolymer Resin
CCT	3000K, 4000K, 5500K
CRI	80
Delivered Lumens	2200 lm (120°, 3000K) 2500 lm (10°x60°, 3000K)
Efficacy	110 lm/W (120°, 3000K) 125 lm/W (10°x60°, 3000K)
Optics	120°, 10°x60°
Finishes	4 Standard, See Below
Fixture Dimensions	Ø7.0" x 3.6"
Fixture Weight	3.20 lbs
LED Source	8 SMD 3535 SHINEON (static white)
Color Consistency	3-Step MacAdam
IP Rating	IP68
Warranty	5 Years

Fixture Dimensions



ORDERING INFORMATION

Example: PAR.W.24.68.AS.US. Power Supplies ordered separately.

PAR			68		US
Model No.	CCT	Power	IP Rating	Optic	
PAR	W - 3000K N - 4000K C - 5500K TW - Tunable White (2800-4600K) RGBW - RGBW	24 - 24VDC 12 - 12VDC <i>(12VDC only available with static white versions)</i>	68 - IP68	FT - 120° AS - 10x60°	US

Job Name/Date:

Fixture Type Designation:

SUGGESTED POWER SUPPLIES

12VDC

Part Number	Description	Input/Output	# of Fixtures
FPV-060000012	Non-Dim	120-277VAC to 12VDC, 60W, Class 2, NEMA 4	1-2
FPV-060100012	0-10V Dimming to 0.1%	120-277VAC to 12VDC, 60W, Class 2, NEMA 4	1-2

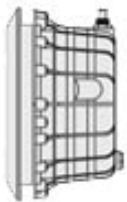
SUGGESTED POWER SUPPLIES

24VDC

Part Number	Description	Input/Output	Fixtures
FPV-100110024	ELV / TRIAC & 0-10V Dimming (100 to 0%)	120-277VAC to 24VDC, 96W, Class 2, NEMA 4	1-3
FPV-100000024	Non-Dim	120-277VAC to 24VDC, 100W, Class 2, NEMA 4	1-4
FPV-100100024	0-10V Dimming (2 Channels)	120-277VAC to 24VDC, 100W, Class 2, NEMA 4	1-8

For other power supply options consult factory.

ACCESSORIES



PAR-NC
ABS Outer Case



CA-68-2-1
Monochromatic - Reel of Cable

CA-68-4-1
Tunable White - Reel of Cable

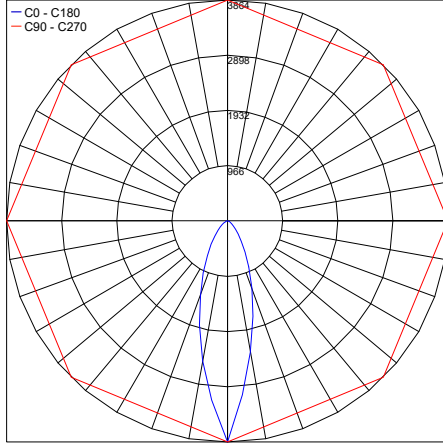
CA-68-5-1
RGBW - Reel of Cable

Job Name/Date:

Fixture Type Designation:

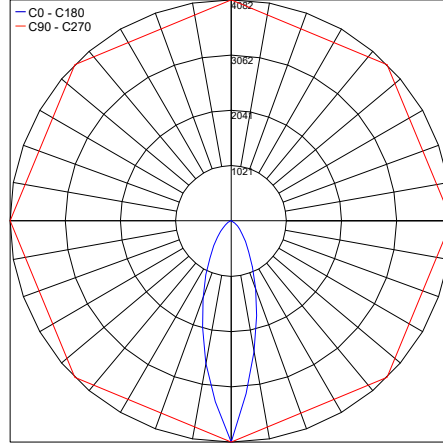
PHOTOMETRIC DATA

Maximum Candela = 3863.7



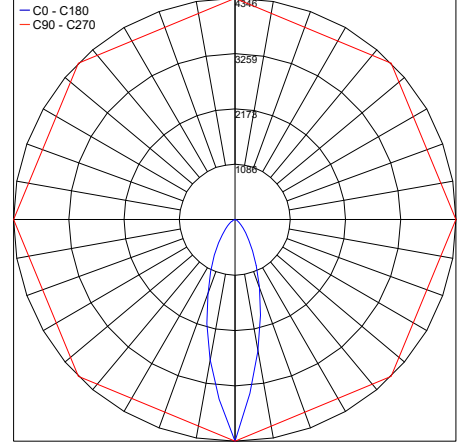
PHOTOMETRIC FILENAME : PAR56 MONO 30K 24VDC 60X10° - PAR-W.24.68.AS.IES

Maximum Candela = 4082.4



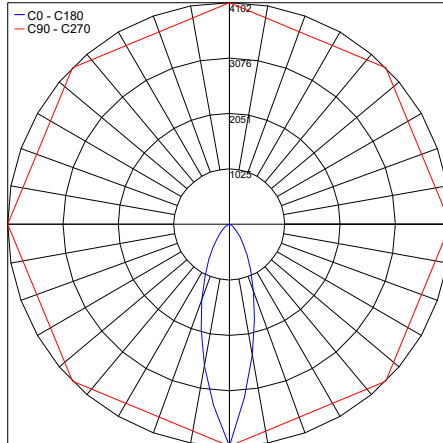
PHOTOMETRIC FILENAME : PAR56 MONO 40K 24VDC 60X10° - PAR-N.24.68.AS.IES

Maximum Candela = 4345.9



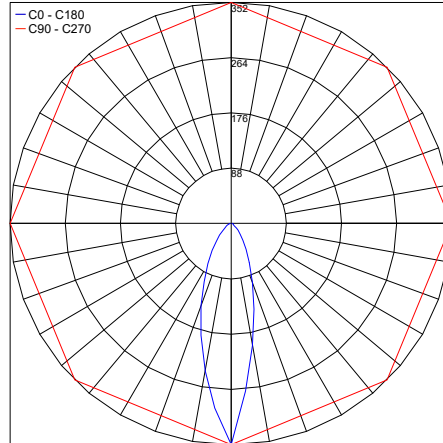
PHOTOMETRIC FILENAME : PAR56 MONO 55K 24VDC 60X10° - PAR-C.24.68.AS.IES

Maximum Candela = 4101.6



PHOTOMETRIC FILENAME : PAR56 TUN. WHITE 24VDC 60X10° - PAR-TW.24.68.AS.IES

Maximum Candela = 352.2



PHOTOMETRIC FILENAME : PAR56 RGBW 24VDC 60X10° - PAR-RGBW.24.68.AS.R.IES

Job Name/Date:

Fixture Type Designation: