

PAR56 is a round pool light that is suitable for installation in concrete pools with PVC or tile coating. It has a stainless steel body with opal resin lens, and comes in white ABS or stainless steel finish. Available in static white, tunable white, or RGBW.



TECHNICAL DATA

Wattage	12W (Static or Tunable White) 17W (RGBW)
Power Supply	Remote 12VDC or 24VDC, not included. See p2.
Construction	Body: Stainless Steel Lens: Opal Technopolymer Resin Cable Length: 16.4 ft (5m)
CCT	3000K, 4000K, 5000K Tunable White (2700K-4600K), RGBW
CRI	80
Delivered Lumens	1400 lm (120°, 4000K) 802 lm (120°, RGBW)
Efficacy	116.7 lm/W (120°, 4000K) 47.2 lm/W (120°, RGBW)
Optics	120° (Standard) 8°, 30°, 45°, 60°x10°
Finishes	White or Black
Fixture Dimensions	Ø7.0" x 3.6"
Fixture Weight	3.20 lbs
LED Source	8 SMD 3535 SHINEON (static white)
Color Consistency	3-Step MacAdam
IP Rating	IP68
Impact Resistance	IK10
Warranty	5 Years

Fixture Dimensions



ORDERING INFORMATION

Example: PAR.W.24.68.AS.US. Power Supplies ordered separately.

PAR			68		2	US
Model No.	CCT	Power	IP Rating	Optic		
PAR	W - 3000K N - 4000K C - 5000K TW - Tunable White (2800-4600K) RGBW - RGBW	24 - 24VDC 12 - 12VDC <i>(12VDC only available with static white versions)</i>	68 - IP68	FL - 120° (standard) S - 8° M - 30° MS - 45° AS - 60x10°	2	US

Job Name/Date:

Fixture Type Designation:

SUGGESTED POWER SUPPLIES

24VDC - Static or Tunable White

Part Number	Description	Input/Output	Fixtures	
			Static	Tunable
FPV-100110024	ELV / TRIAC & 0-10V Dimming (100 to 0%)	120-277VAC to 24VDC, 96W, Class 2, IP66, NEMA 4X	1-6	1-6
FPV-100000024	Non-Dim	120-277VAC to 24VDC, 100W, Class 2, IP66, NEMA 4X	1-6	1-6

For other power supply options consult factory.

SUGGESTED POWER SUPPLIES

24VDC - RGBW, please Consult Factory

SUGGESTED POWER SUPPLIES

12VDC

Part Number	Description	Input/Output	# of Fixtures
FPV-060000012	Non-Dim	120-277VAC to 12VDC, 60W, Class 2, IP66, NEMA 4X	1-2
FPV-060100012	0-10V Dimming to 0.1%	120-277VAC to 12VDC, 60W, Class 2, IP66, NEMA 4X	1-2

ACCESSORIES



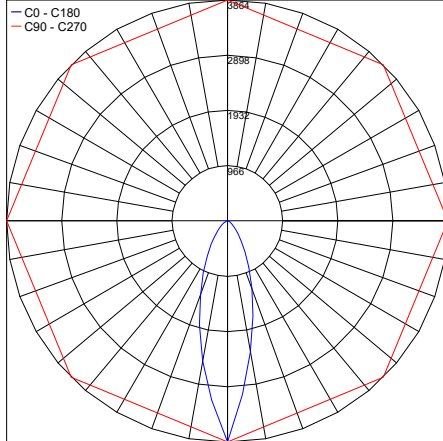
PAR-NC
ABS Outer Case

Job Name/Date:

Fixture Type Designation:

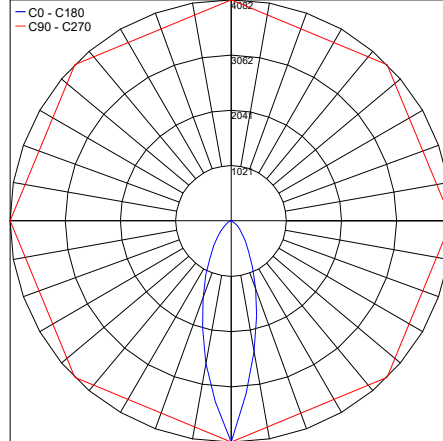
PHOTOMETRIC DATA

Maximum Candela = 3863.7



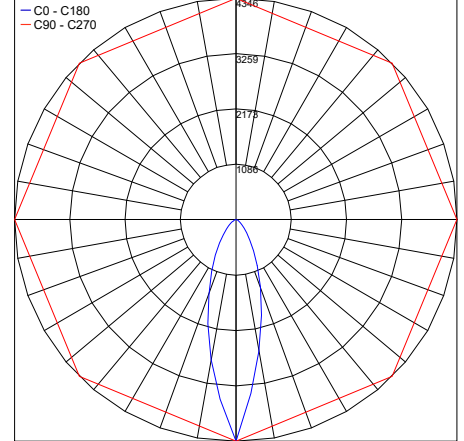
PHOTOMETRIC FILENAME : PAR56 MONO 30K 24VDC 60X10° - PAR-W.24.68.AS.IES

Maximum Candela = 4082.4



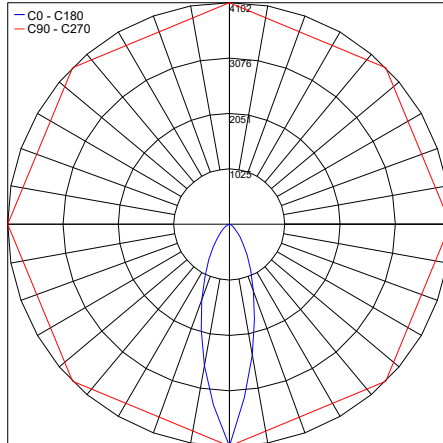
PHOTOMETRIC FILENAME : PAR56 MONO 40K 24VDC 60X10° - PAR-N.24.68.AS.IES

Maximum Candela = 4345.9



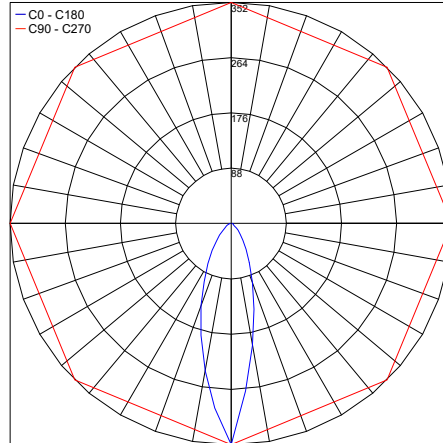
PHOTOMETRIC FILENAME : PAR56 MONO 55K 24VDC 60X10° - PAR-C.24.68.AS.IES

Maximum Candela = 4101.6



PHOTOMETRIC FILENAME : PAR56 TUN. WHITE 24VDC 60X10° - PAR-TW.24.68.AS.IES

Maximum Candela = 352.2



PHOTOMETRIC FILENAME : PAR56 RGBW 24VDC 60X10° - PAR-RGBW.24.68.AS.R.IES

Job Name/Date:

Fixture Type Designation: