

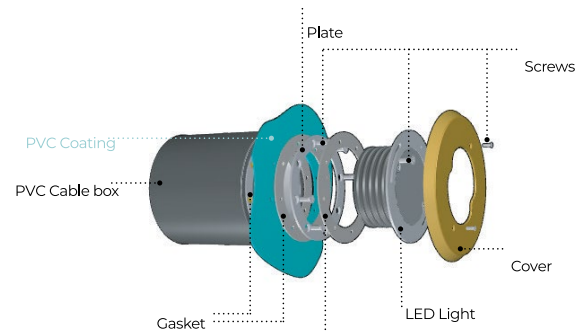
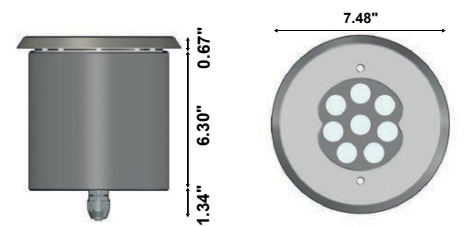
SQUID is an IP68-rated, high performance, circular LED luminaire suitable for installation in residential swimming pools with vinyl, tiles or mosaic coating. It has a stainless steel flange, and comes in static white, tunable white or RGBW with 6 cover colors, and a 5 year warranty.



TECHNICAL DATA

| | |
|---------------------------|---|
| Wattage | 20W |
| Power Supply | Remote Fountain/Pool Approved 24VDC Power Supply, not included. See page 2. |
| Construction | Body: Techopolymer Lens: |
| CCT | 3000K, 4000K, 5000K Tunable White (2700K-4600K), RGBW |
| CRI | 80 |
| Delivered Lumens | 2200 lm (120°, 3000K) |
| Efficacy | 110 lm/W (120°, 3000K) |
| Optics | 120°, 60°x10° |
| Finishes | Stainless Steel, Corian |
| Fixture Dimensions | Ø7.48" x 8.31" h |
| Cutout Dimensions | 11.61" x 4.92" |
| Fixture Weight | 7.28 lbs |
| LED Source | 8 SMD 3535 SHINEON (static white) |
| Working Temp | -20° / +50° |
| IP Rating | IP68 |
| Warranty | 5 Years |

Fixture Dimensions



ORDERING INFORMATION

Example: *SQD.W.24.68.AS.US*. Power Supplies ordered separately.

| | | | | | |
|------------------|--|-------------------|------------------|--|-----------|
| SQD | | 24 | 68 | | US |
| Model No. | CCT | Power | IP Rating | Optic | |
| SQD | W - 3000K N - 4000K C - 5500K TW - Tunable White (2800-4600K) RGBW - RGBW | 24 - 24VDC | 68 - IP68 | FL - 120° AS - 60x10° | US |

Job Name/Date:

Fixture Type Designation:

SUGGESTED POWER SUPPLIES

24VDC - Static, Tunable White or RGBW

| Part Number | Description | Input/Output | # of Fixtures |
|---------------------------|---|--|----------------|
| PPLT00056 | Non-Dim | 120-277VAC to 24VDC, 26W, Class 2, IP66 | 1-1 |
| PPLT00690 | ELV / TRIAC & 0-10V Dimming | 120-277VAC to 24VDC, 40W, Class 2, IP67 | 1-1 |
| PPLT00627 | ELV / TRIAC & 0-10V Dimming (100 to 0%) | 120-277VAC to 24VDC, 96W, Class 2, IP67 | 1-3 (1-6 RGBW) |
| PPLT00284 | Non-Dim | 120-277VAC to 24VDC, 100W, Class 2, DAMP | 1-4 (1-7 RGBW) |
| PPLT00543 | 0-10V Dimming to 15% (-40°C / -40°F cold weather start) | 120-277VAC to 24VDC, 100W, Class 2 | 1-4 (1-5 RGBW) |

Suggested Lutron Compatible

| Part Number | Option | Lutron SKU | Dim Range | Description | Input/Output | # of Fixtures |
|---------------------------|----------------|------------|-----------|--|-----------------------------------|----------------|
| PPLT00273 | L3DAE / L3DA3W | L3DA | 100%-1% | Hi-Lume™ 1% EcoSystem™ or 1% 3-Wire LED Driver | 120-277VAC to 24VDC, 40W, Class 2 | 1-1 (1-2 RGBW) |
| PPLT00530 | L3DAE / L3DA3W | L3DA | 100%-1% | Hi-Lume™ 1% EcoSystem™ or 1% 3-Wire LED Driver | 120-277VAC to 24VDC, 96W, Class 2 | 1-3 (1-5 RGBW) |

For other power supply options consult factory.

ACCESSORIES - Installation



SQD-NC
PVC Outer Case

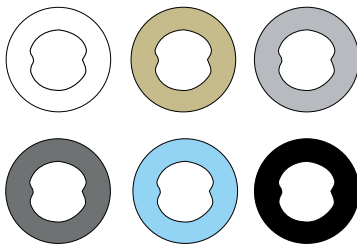


CA-68-2-1
Monochromatic - Reel of Cable

CA-68-4-1
Tunable White - Reel of Cable

CA-68-5-1
RGBW - Reel of Cable

COVER COLORS



SQD-FL-WC/SC/GC/AC/CC/BC
Corian Cover



KEY FOR LOCK
Steel Key

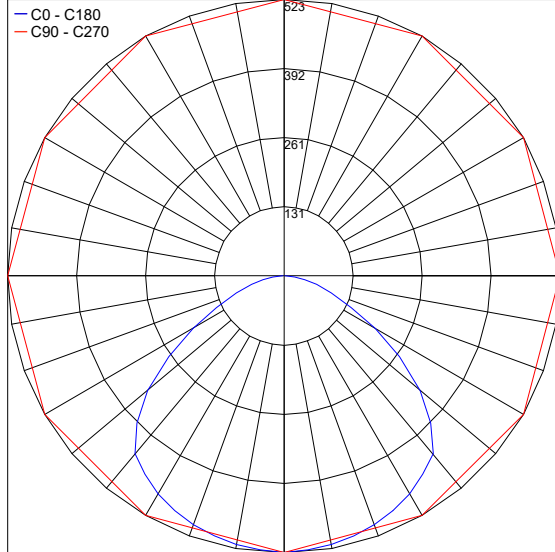
Job Name/Date:

Fixture Type Designation:

PHOTOMETRIC DATA

Note: This photometry is 5500K

Maximum Candela = 522.5



PHOTOMETRIC FILENAME : SQUID 55K 120°_SQD-C.24.68.FL.IES

Job Name/Date:

Fixture Type Designation: