

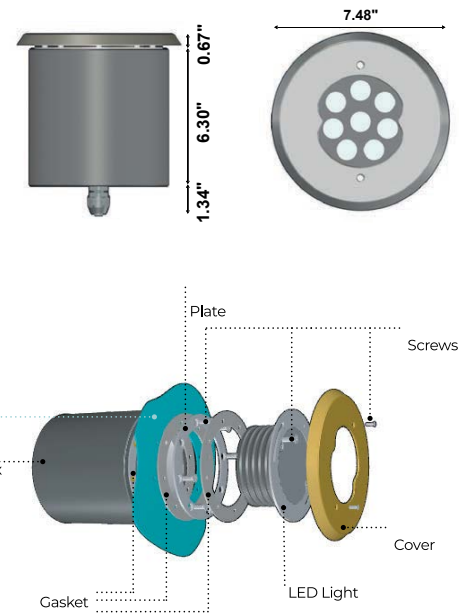
SQUID is an IP68-rated, high performance, circular LED luminaire suitable for installation in residential swimming pools with vinyl or reinforced concrete with tiles. It has a stainless steel flange, and comes in static white, tunable white or RGBW with 6 Corian cover colors or steel cover, and a 5 year warranty.



TECHNICAL DATA

| | |
|---------------------------|--------------------------------------------------------------------------------------------------------|
| Wattage | 13W (Static or Tunable White) 12W (RGBW) |
| Power Supply | Remote Fountain/Pool Approved 24VDC Power Supply, not included. See page 2. |
| Construction | Body: Techopolymer Fixing Plate: Stainless Steel AISI 316L Cable Length: 32.8 ft (10 m) included |
| CCT | 3000K, 4000K, 5000K Tunable White (2700K-4600K), RGBW |
| CRI | 80 |
| Delivered Lumens | 1530 lm (120°, 4000K) |
| Efficacy | 117.7 lm/W (120°, 4000K) |
| Optics | 120° (Standard) 8°, 30°, 45°, 60°x10° |
| Finishes | Stainless Steel Corian (6 colors - see below) |
| Fixture Dimensions | Ø7.48" x 8.31" h |
| Cutout Dimensions | Ø7.09" x 7.87" deep |
| Fixture Weight | 7.28 lbs |
| LED Source | 8 SMD 3535 SHINEON (static white) |
| Working Temp | -20° / +50° |
| IP Rating | IP68 |
| Impact Resistance | IK10 |
| Warranty | 5 Years |

Fixture Dimensions



ORDERING INFORMATION

Example: *SQD.W.24.68.AS.2.US*. Power Supplies / Accessories ordered separately.

| | | | | | | |
|------------------|--------------------------------------------------------------------------------------------------------------------------|-------------------|------------------|---------------------------------------------------------------------------------------------------------|----------|-----------|
| SQD | | 24 | 68 | | 2 | US |
| Model No. | CCT | Power | IP Rating | Optic | | |
| SQD | W - 3000K N - 4000K C - 5500K TW - Tunable White (2800-4600K) RGBW - RGBW | 24 - 24VDC | 68 - IP68 | FL - 120° (standard) S - 8° M - 30° MS - 45° AS - 60x10° | 2 | US |

Job Name/Date:

Fixture Type Designation:

SUGGESTED POWER SUPPLIES

24VDC - Static, Tunable White or RGBW

| Part Number | Description | Input/Output | # of Fixtures | | |
|-------------------------------|-----------------------------------------|---------------------------------------------------|---------------|---------|------|
| | | | Static | Tunable | RGBW |
| FPV-100110024 | ELV / TRIAC & 0-10V Dimming (100 to 0%) | 120-277VAC to 24VDC, 96W, Class 2, IP66, NEMA 4X | 1-3 | 1-3 | 1-3 |
| FPV-100000024 | Non-Dim | 120-277VAC to 24VDC, 100W, Class 2, IP66, NEMA 4X | 1-4 | 1-4 | 1-4 |
| FPV-100100024 | 0-10V Dimming | 120-277VAC to 24VDC, 100W, Class 2, IP66, NEMA 4X | 1-4 | 1-4 | 1-4 |
| FPV-100EL0024 | DMX / RDM (Field Addressable) / DALI | 120-277VAC to 24VDC, 100W, Class 2, IP66, NEMA 4X | 1-4 | 1-4 | 1-4 |

For other power supply options consult factory.

ACCESSORIES - Installation



SQD-NC

PVC Watertight Outer Case for reinforced concrete + PVC or tiles
Includes cable gland and space for cable management.
REQUIRED based on pool type



SQD-NC-PL

PVC Watertight Outer Case for prefabricated panel
Includes cable gland and space for cable management.
REQUIRED base on pool type

FINISHES - Corian Cover **(REQUIRED)**

White
Cod. SQD-FL-WC



Sand
Cod. SQD-FL-SC



Black
Cod. SQD-FL-B C



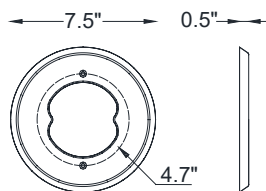
Anthracite
Cod. SQD-FL-A C



Grey
Cod. SQD-FL-G C



Light Blue
Cod. SQD-FL-CC



Steel Cover **(for Tiled Pools)**

Steel
Cod. SQD-FL-T



Only available for application on tiled pools



KEY-PAR

Steel Key for Lock
REQUIRED

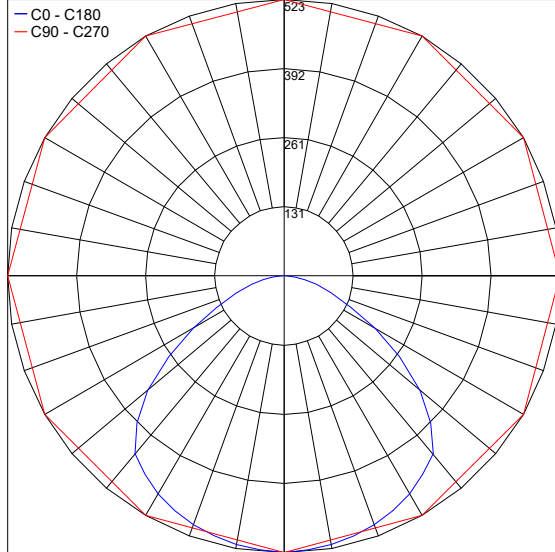
Job Name/Date:

Fixture Type Designation:

PHOTOMETRIC DATA

Note: This photometry is 5500K

Maximum Candela = 522.5



PHOTOMETRIC FILENAME : SQUID 55K 120°_SQD-C.24.68.FL.IES

Job Name/Date:

Fixture Type Designation: