

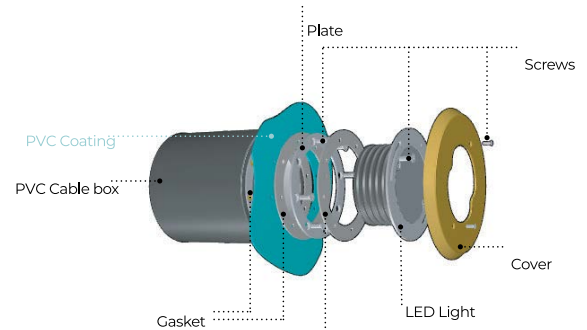
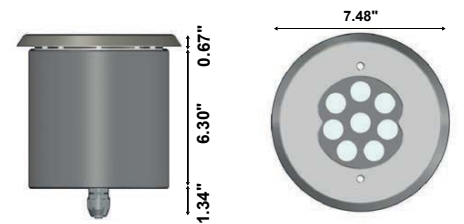
SQUID is an IP68-rated, high performance, circular LED luminaire suitable for installation in residential swimming pools with vinyl, tiles or mosaic coating. It has a stainless steel flange, and comes in static white, tunable white or RGBW with 6 cover colors, and a 5 year warranty.



TECHNICAL DATA

| | |
|---------------------------|---|
| Wattage | 20W |
| Power Supply | Remote Fountain/Pool Approved 24VDC Power Supply, not included. See page 2. |
| Construction | Body: Techopolymer Cable Length: 15 ft included |
| CCT | 3000K, 4000K, 5000K Tunable White (2700K-4600K), RGBW |
| CRI | 80 |
| Delivered Lumens | 2200 lm (120°, 3000K) |
| Efficacy | 110 lm/W (120°, 3000K) |
| Optics | 120°, 60°x10° |
| Finishes | Stainless Steel, Corian |
| Fixture Dimensions | Ø7.48" x 8.31" h |
| Cutout Dimensions | 11.61" x 4.92" |
| Fixture Weight | 7.28 lbs |
| LED Source | 8 SMD 3535 SHINEON (static white) |
| Working Temp | -20° / +50° |
| IP Rating | IP68 |
| Warranty | 5 Years |

Fixture Dimensions



ORDERING INFORMATION

Example: SQD.W.24.68.AS.US. Power Supplies / Accessories ordered separately.

| | | | | | |
|------------------|---|--------------|------------------|--------------------------|----|
| SQD | | 24 | 68 | | US |
| Model No. | CCT | Power | IP Rating | Optic | |
| SQD | W - 3000K N - 4000K C - 5500K TW - Tunable White (2800-4600K) RGBW - RGBW | 24 - 24VDC | 68 - IP68 | FL - 120° AS - 60x10° | US |

Job Name/Date:

Fixture Type Designation:

SUGGESTED POWER SUPPLIES

24VDC - Static, Tunable White or RGBW

| Part Number | Description | Input/Output | # of Fixtures | | |
|-------------------------------|---|--|---------------|---------|------|
| | | | Static | Tunable | RGBW |
| FPV-100110024 | ELV / TRIAC & 0-10V Dimming (100 to 0%) | 120-277VAC to 24VDC, 96W, Class 2, NEMA 4 | 1-3 | 1-3 | 1-3 |
| FPV-100000024 | Non-Dim | 120-277VAC to 24VDC, 100W, Class 2, NEMA 4 | 1-4 | 1-4 | 1-4 |
| FPV-100100024 | 0-10V Dimming | 120-277VAC to 24VDC, 100W, Class 2, NEMA 4 | 1-4 | 1-4 | 1-4 |
| FPV-100EL0024 | DMX / RDM (Field Addressable) / DALI | 120-277VAC to 24VDC, 100W, Class 2, NEMA 4 | 1-4 | 1-4 | 1-4 |

For other power supply options consult factory.

ACCESSORIES - Installation



SQD-NC
PVC Outer Case
REQUIRED

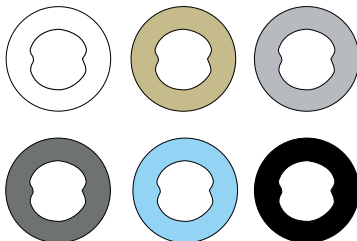


CA-68-2-1
Monochromatic - Reel of Cable
15 feet of cable included - custom length on request

CA-68-4-1
Tunable White - Reel of Cable
15 feet of cable included - custom length on request

CA-68-5-1
RGBW - Reel of Cable
15 feet of cable included - custom length on request

COVER COLORS



SQD-FL-WC/SC/GC/AC/CC/BC
Corian Cover
REQUIRED



KEY FOR LOCK
Steel Key

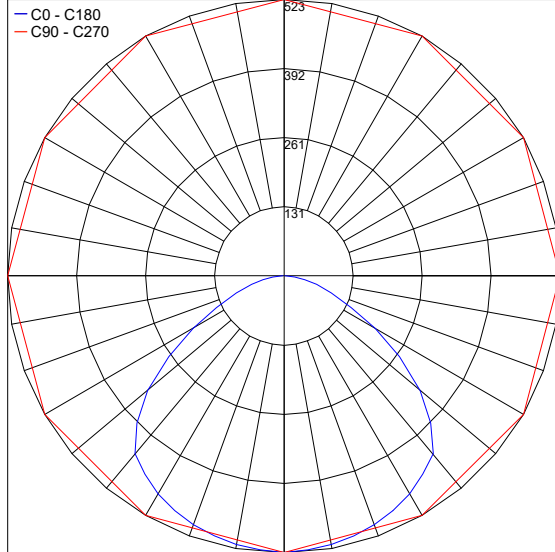
Job Name/Date:

Fixture Type Designation:

PHOTOMETRIC DATA

Note: This photometry is 5500K

Maximum Candela = 522.5



PHOTOMETRIC FILENAME : SQUID 55K 120°_SQD-C.24.68.FL.IES

Job Name/Date:

Fixture Type Designation: